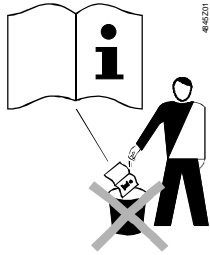


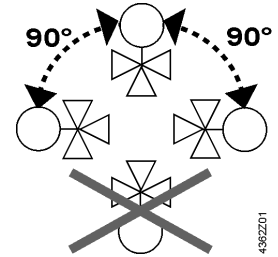
1



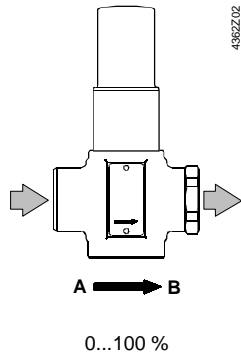
2

Use: For closed loop only
应用: 只用于闭式系统

3



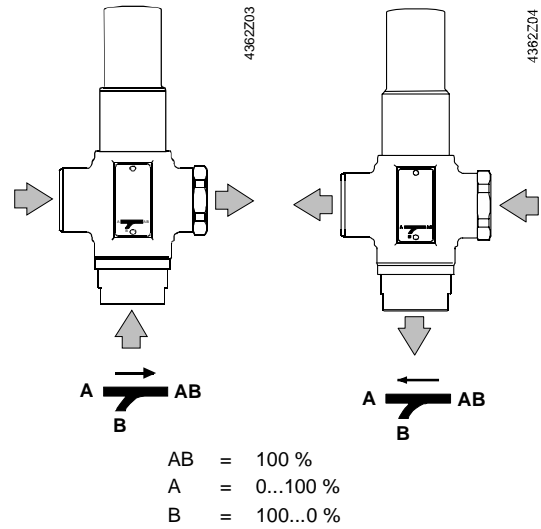
4



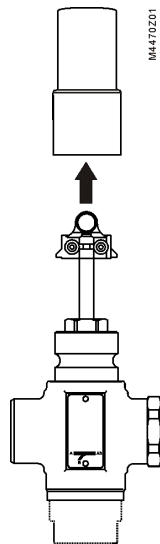
The 2-port valve does not become a 3-port valve by removing the bottom cover.

二通阀门不能通过拆除底盖而当作三通阀门使用

5

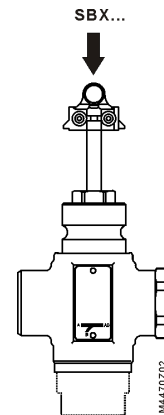


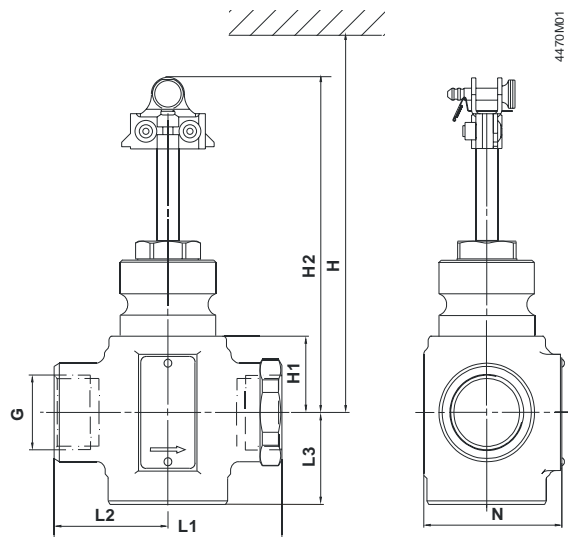
6





VVI47...
VXI47...

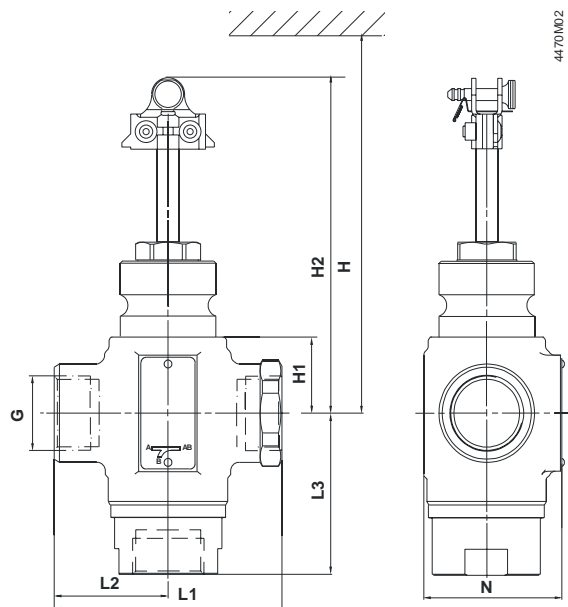
7







4470M01

	DN	L1	L2	L3	H1	H2	H + SBX	G	N	 [kg]
		[mm]	[mm]	[mm]	[mm]	[mm]	[mm]	[inches]	[mm]	
VVI47.15 – 2.5	15	90	45	40	26	138.5	> 490	Rp½	60	1.34
VVI47.15 – 4	15	90	45	40	26	138.5		Rp½	60	1.34
VVI47.20 – 6.3	20	90	45	40	26	138.5		Rp¾	60	1.39
VVI47.25 – 10	25	105	52.5	41	34	146.5	> 500	Rp1	64	1.74
VVI47.32 – 16	32	115	57.5	41	34	146.5		Rp1¼	87	2.14
VVI47.40 – 25	40	130	65	46	46	158.5	> 510	Rp1½	108	2.79
VVI47.50 – 40	50	150	75	56	46	158.5		Rp2	120	3.74



4470M02

	DN	L1	L2	L3	H1	H2	H + SBX	G	N	 [kg]
		[mm]	[mm]	[mm]	[mm]	[mm]	[mm]	[inches]	[mm]	
VXI47.15 – 2.5	15	90	45	68	26	138.5	> 490	Rp½	60	1.54
VXI47.15 – 4	15	90	45	68	26	138.5		Rp½	60	1.54
VXI47.20 – 6.3	20	90	45	69	26	138.5		Rp¾	60	1.64
VXI47.25 – 10	25	105	52.5	73.5	34	146.5	> 500	Rp1	64	2.14
VXI47.32 – 16	32	115	57.5	74	34	146.5		Rp1¼	87	2.34
VXI47.40 – 25	40	130	65	84	46	158.5	> 510	Rp1½	108	3.14
VXI47.50 – 40	50	150	75	98	46	158.5		Rp2	120	4.14