

Cerberus™ FIT

Output module (230 V)

FCA1209-Z1



Output module for use in monitored output lines

- Output with potential-free relay contacts for controlling fire ventilators, air conditioning systems, elevators, doors, and control systems
- Direct integration in a monitored output line
- Two-wire installation for all cable types
- No external power supply
- Output status display
- Use in dry, dusty, or humid environments
- Different mounting options

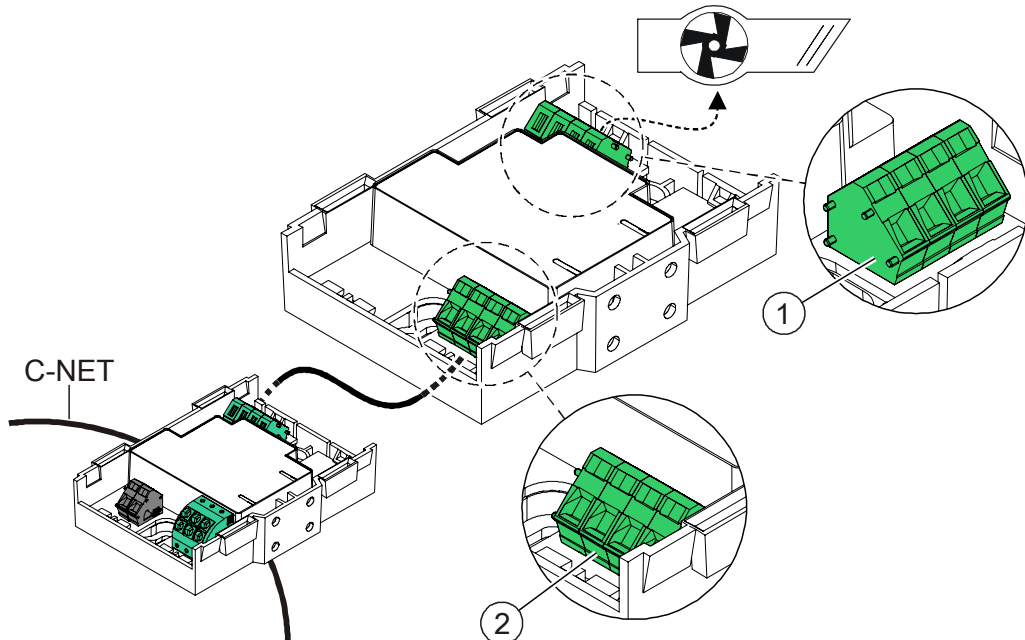
Properties

- Protected electronics
- Transparent housing, ensuring that the indicator is easy to see
- Use housing for dusty or humid environments
- Eco-friendly
 - Environmentally friendly processing
 - Reusable materials
 - Electronic parts and synthetic materials can be easily separated

Functions

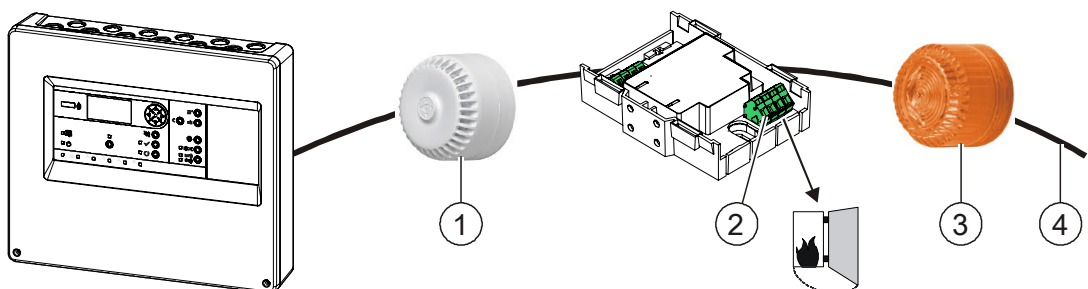
- Output for potential-free contact (AC 230 V)
- Status display via an LED
- Fields of application:
 - Activation/deactivation of a decentralized fire protection installation (AC 230 V, 5 A)
 - Monitored line up to output module FCA1209-Z1
 - Direct connection to the monitored output line of the fire control panel

Use on addressed detector line (FC360)



1	Connections for the output	2	Connections for monitored output line
---	----------------------------	---	---------------------------------------

Use on monitored output line



1	Sounder (acoustic)	3	Beacon
2	Connections for the output	4	Monitored output line

Type Overview

Type	Designation	Order number	Weight [kg]
FCA1209-Z1	Output module (230 V)	S54400-B124-A1	0.056

Accessories for output module FCA1209-Z1

Type	Designation	Order number	Weight [kg]
FDCH221	Housing with cover, seal, and screws	S54312-F3-A1	0.282
A5Q00004478	M20 x 1.5 metal cable gland	A5Q00004478	0.036
A5Q00004479	M20 metal counter nut	A5Q00004479	0.006
FDCM291	Mounting foot	A5Q00003855	0.001
DBZ1190-AB	Connection terminal 0.5...2.5 mm ² (3-pole)	BPZ:4942340001	0.001

Product documentation

Document ID	Name
A6V10393185	Installation Output Module FCA1209-Z1, Housing FDCH221
A6V10425246	Technical Manual Output Module FCA1209-Z1

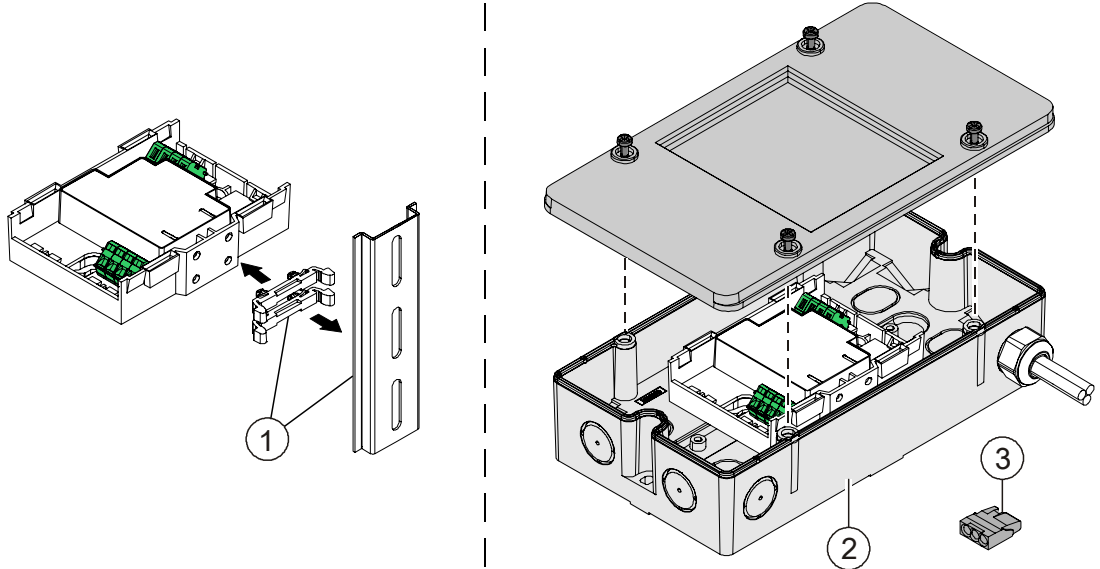
Related documents such as environmental declarations, CE declarations, etc., can be downloaded at the following Internet address:

<http://siemens.com/bt/download>

Mounting


Mounting options

- Series mounting on U-rail TS35 in a housing (>4.75 kg)
- In housing FDCH221 (accessory) with cover, seal, and screws for wet areas



1	Series mounting on U-rail TS35 with mounting feet FDCM291	3	Use connection terminals DBZ1190-AB for shielded cables.
2	Mounting in housing FDCH221		

Disposal

	<p>The device is considered an electronic device for disposal in accordance with the European Guidelines and may not be disposed of as domestic garbage.</p> <ul style="list-style-type: none"> • Dispose of the device through channels provided for this purpose. • Comply with all local and currently applicable laws and regulations.
---	--

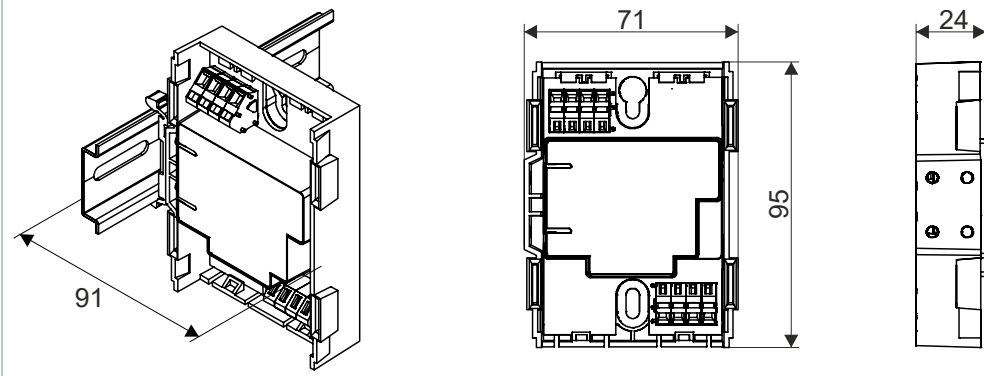
Technical data

FCA1209-Z1

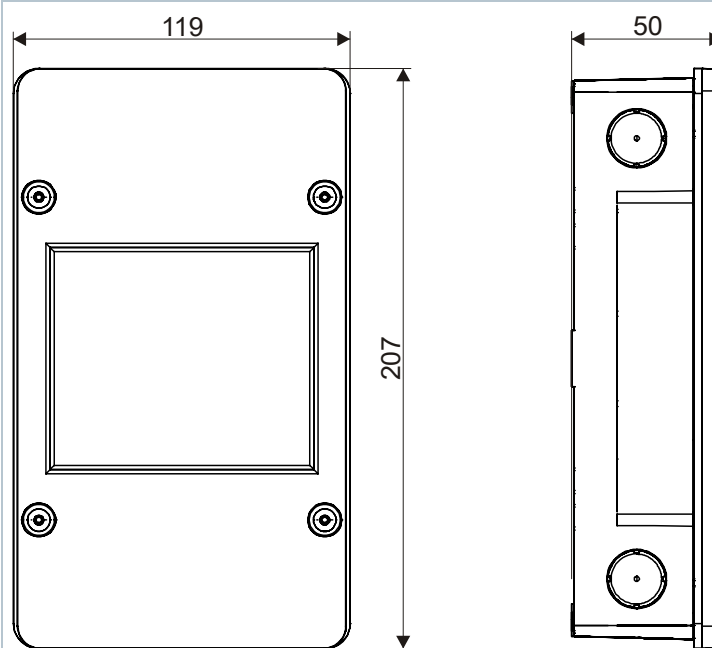
Operating voltage / operating current	DC 14.5...30 V / 25 mA
Operating current (quiescent)	Max. 0.1 mA
Relay output (ohmic)	AC: 230 V, max. 5 A DC: 30 V, max. 5 A
Relay coil resistance	480 Ω \pm 10 %
Internal resistance of relay output	Max. 0.1 Ω
Operating temperature	-25...+65 °C
Storage temperature	-25...+65 °C
Air humidity (non-condensing)	\leq 95 % rel.
Communication protocol	Monitored output line
Cable cross section	0.2...2.5 mm ²
Color <ul style="list-style-type: none"> • Housing • Housing cover • Housing FDCH221 	~RAL 9010 pure white Transparent matt ~RAL 9010 pure white
Protection category (IEC 60529) <ul style="list-style-type: none"> • When mounted on a U-rail TS35 • With housing FDCH221 	IP30 IP65
Standards	EN 54-18
Approvals <ul style="list-style-type: none"> • LPCB 	531r/01
System compatibility Monitored output line	FC20xx, FC72x, FC12x, FC361-xx


Dimensional drawings

Output module FCA1209-Z1



Housing FDCH221



14		2831	FCA1209-Z1	Siemens Schweiz AG; Theilerstrasse 1a CH-6300 Zug Technical data: see doc. A6V10425246
FCA1209-Z1 Input/output device for use in fire detection and fire alarm systems installed in buildings.				
305/2011/EU (CPR): EN 54-18; 2014/30/EU (EMC): EN 50130-4 / EN 61000-6-3 ; 2014/35/EU (LVD): EN 60950-1; 2011/65/EU (RoHS): EN 50581				
The declared performance and conformity can be seen in the Declaration of Performance (DoP) and the EU Declaration of Conformity (DoC), which is obtainable via the Customer Support Center. Tel. +49 89 9221-8000 or https://siemens.com/bt/download				
DoP No.: DOP190203; DoC: No.: CED-FCA1209-Z1				

Issued by
Siemens Switzerland Ltd
Smart Infrastructure
Global Headquarters
Theilerstrasse 1a
CH-6300 Zug
Tel. +41 58 724 2424
www.siemens.com/buildingtechnologies

© Siemens Switzerland Ltd, 2016
Technical specifications and availability subject to change without notice.