

SIEMENS Electronic Programmer RWB2007



Features

- Easy to read large back-lit display
- Simple operation
- Easy programming 5/2 Day or 7 Day
- Real time clock / calendar
- Auto summer / winter change over
- 2/3 On / Off's
- Industry standard backplate
- Battery backup
- Audible & Visual Service Interval capable
- One hour boost
- Advance

Use

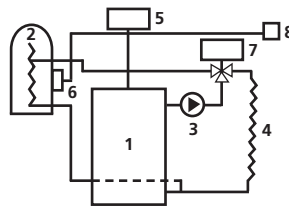
The RWB2007 is a 5/2 Day or 7 Day programmer with up to 3 on/off periods per day.

Application Examples

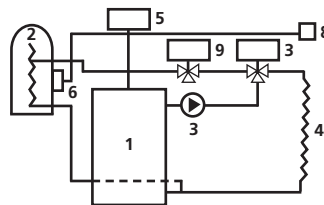
Key

- 1 Boiler
- 2 Hot water cylinder
- 3 Pump
- 4 Heating Circuit
- Programmer RWB
- 6 Cylinder thermostat RAM
- 7 3 Way Valve CMV
- 8 Room Thermostat RAA
- 9 Zone valve CZV

Mid Position System (Fully Pumped)

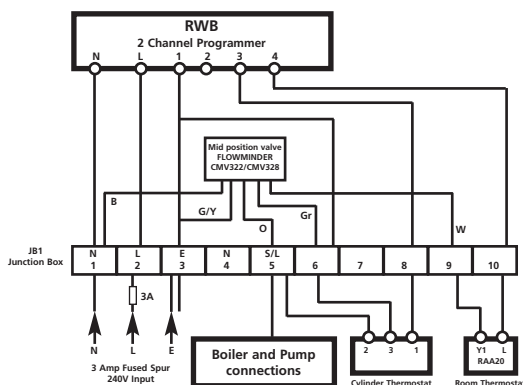


Zone Valve System (Fully Pumped)

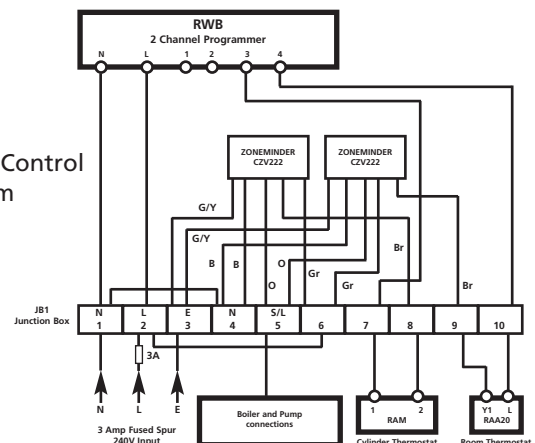


Wiring Diagrams

Mid-Position System



Zone Control System



Technical Data

Operating Voltage	AC 220-240 V
Switching Voltage	240 V
Frequency	50 Hz
Contact Rating	
- resistive	6 Amp
- inductive	2 Amp

Ambient temperature range	0°C to 40°C
Environmental humidity	80% RH
Housing	ABS resistant to fire as IEC730 standard
Dimensions	145mm wide x 90mm high x 34mm deep
Alarm	57db at 1 metre