



## CYLINDER OR PIPE THERMOSTATS

## RAM1 RAM1.T

### Features

---

- Bi-metallic
- 15° to 90°
- 15A contacts
- Ideal pipe thermostat up to 41mm diameter
- SPDT contacts
- Tamperproof version (RAM1.T) available

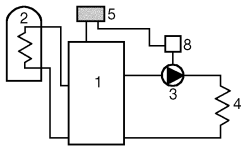
### Use

---

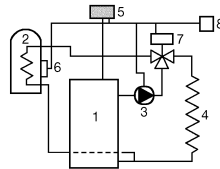
The RAM1 cylinder/pipe thermostat is a mechanical thermostat with a bi-metallic sensor which, under normal operation and installed in the correct manner, is set to control with a switching differential of 6°C. However, this is adjustable if required between 5°C and 10°C. The setting range of this thermostat is from 15°C frost protection to 90°C. Each terminal screw has its own number shown on the plastic pillar adjacent to the screw.

## Application Examples

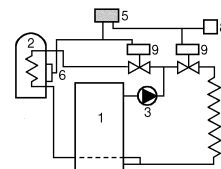
Pumped Central Heating with Gravity hot water (10 programmes)



Mid-Position System (16 programmes)



Zone valve system (16 programmes)



### Key

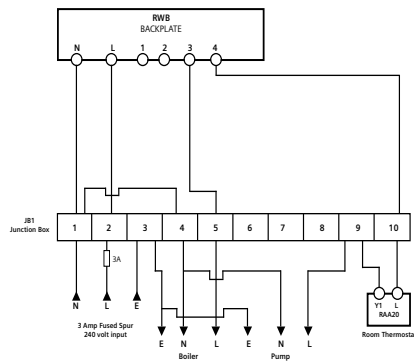
1 Boiler  
2 Hot water cylinder  
3 Pump

4 Heating Circuit  
5 Programmer RWB  
6 Cylinder thermostat RAM

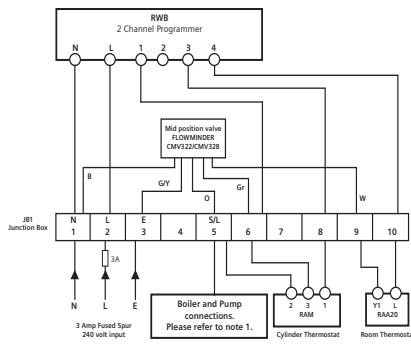
7 Three Way Valve CMV..  
8 Room thermostat RAA  
9 Zone valve CZV...

### Wiring Diagrams

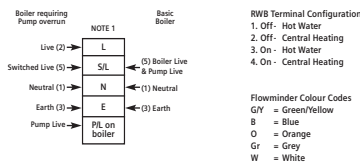
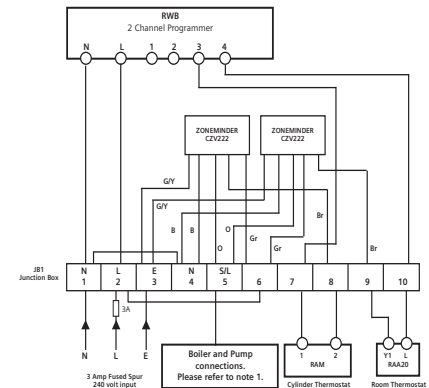
Pumped Central Heating with Gravity hot water



Mid-Position System

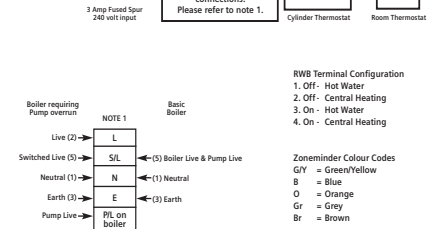


Zone valve system



**RWB Terminal Configuration**  
1. Off - Hot Water  
2. Off - Central Heating  
3. On - Hot Water  
4. On - Central Heating

**Flowminder Colour Codes**  
GY = Green/Yellow  
B = Blue  
O = Orange  
Gr = Grey  
W = White



**RWB Terminal Configuration**  
1. Off - Hot Water  
2. Off - Central Heating  
3. On - Hot Water  
4. On - Central Heating

**Zoneminder Colour Codes**  
GY = Green/Yellow  
B = Blue  
O = Orange  
Gr = Grey  
Br = Brown

### Technical Data

#### RAM1

Bi-metallic  
Temperature setting range  
Contacts

15°C to 90°C  
15A, SPDT  
IP40

Can be used as a pipe thermostat  
Dimensions

up to 41mm diameter  
50mm wide x 116mm high x 59mm deep

#### RAM1.T

Same specifications as above but also tamperproof

Siemens Building Technologies  
Hawthorne Road  
Staines  
Middlesex  
TW18 3AY

Technical helpline 0870 850 0184

