



Acvatix™

2-port seat valves PN16 with VVF40.. flanged connection

- Grey cast iron valve body
- DN 15...150
- k_{vs} 1.9...315 m³/h
- Can be equipped with SAX..-electromotoric or SKD..-, SKB..- and SKC..- electrohydraulic actuators

Use

For use in heating, ventilating, and air conditioning systems as a control or safety shutoff valve.

For closed circuits only (mind cavitation, refer to page 6).

Type summary

Product number	DN	k_{vs} [m ³ / h]	S_v	
VVF40.15-1.9	15	1,9	> 50	
VVF40.15-2.5		2,5		
VVF40.15-3		3		
VVF40.15-4		4		
VVF40.25-5	25	5		
VVF40.25-6.3		6,3		
VVF40.25-7.5		7,5		
VVF40.25-10		10		
VVF40.40-12	40	12		> 100
VVF40.40-16		16		
VVF40.40-19		19		
VVF40.40-25		25		
VVF40.50-31	50	31		
VVF40.50-40		40		
VVF40.65-49	65	49		
VVF40.65-63		63		
VVF40.80-78	80	78		
VVF40.80-100		100		
VVF40.100-124	100	124		
VVF40.100-160		160		
VVF40.125-200	125	200		
VVF40.125-250		250		
VVF40.150-300	150	300		
VVF40.150-315		315		

DN = Nominal size

k_{vs} = Nominal flow rate of cold water (5...30 °C) through the fully open valve (H_{100}) by a differential pressure of 100 kPa (1 bar)

S_v = Rangeability k_{vs} / k_{vr}

k_{vr} = Smallest k_v value, at which the flow characteristic tolerances can still be maintained, by a differential pressure of 100 kPa (1 bar)

Accessories

Product number	Stock No.	Description
ASZ6.5	ASZ6.5	Electric stem heating element, AC 24 V / 30 W, required for media below 0 °C. For electrohydraulic actuators SKD.., SKB.., SKC..
ASZ6.6	S55845-Z108	Electric stem heating element, AC 24 V 30 W, required for media below 0 °C

Ordering

Example:

Product number	Stock number	Designation	Quantity
VVF40.50-31	VVF40.50-31	2-port seat valve PN16 with flanged connection	1

Delivery

Valves, actuators and accessories are packed and supplied separately.
The valves are supplied without counter-flanges and without flange gaskets.

Spare parts, Rev. no.

See overview, page 10.

Equipment combinations

Valves	Actuators								
	H ₁₀₀	SAX.. ²⁾		SKD.. ¹⁾		SKB..		SKC..	
		[mm]	Δp _{max}	Δp _s	Δp _{max}	Δp _s	Δp _{max}	Δp _s	Δp _{max}
[kPa]									
VVF40.15-1.9	20	300	1600	300	1600	300	1600		
VVF40.15-2.5									
VVF40.15-3									
VVF40.15-4									
VVF40.25-5									
VVF40.25-6.3									
VVF40.25-7.5									
VVF40.25-10									
VVF40.40-12									
VVF40.40-16									
VVF40.40-19									
VVF40.40-25									
VVF40.50-31									
VVF40.50-40									
VVF40.65-49									
VVF40.65-63									
VVF40.80-78									
VVF40.80-100									
VVF40.100-124	40							200	300
VVF40.100-160									
VVF40.125-200									
VVF40.125-250									
VVF40.150-300									
VVF40.150-315									

¹⁾ Usable up to maximum medium temperature of 150 °C

²⁾ Serie G: Usable up to maximum medium temperature of 130 °C

H₁₀₀ = Nominal stroke

Δp_{max} = Maximum permissible differential pressure across valve's control path, valid for the entire actuating range of the motorized valve

Δp_s = Maximum permissible differential pressure at which the motorized valve will close securely against the pressure (close off pressure)

Actuator overview

Product number	Actuator type	Operating voltage	Positioning signal	Spring return	Positioning time	Positioning force	Data sheet	
SAX31.00	Electro-motoric	AC 230 V	3-position	-	120 s	800 N	N4501	
SAX31.03					30 s			
SAX81.00		AC/DC 24 V			120 s			
SAX81.03					DC 0...10 V ¹⁾			30 s
SAX61.03								
SKD32.50	Electro-hydraulic	AC 230 V	3- position	-	120 s	1000 N	N4561	
SKD32.21				Yes	30 s			
SKD32.51				-	120 s			
SKD82.50		AC 24 V		Yes				
SKD82.51				-				
SKD60				DC 0...10 V ¹⁾	30 s			
SKD62...				Yes				
SKB32.50	Electro-hydraulic	AC 230 V	3- position	-	120 s	2800 N	N4564	
SKB32.51				Yes				
SKB82.50		AC 24 V		-				
SKB82.51				Yes				
SKB60				DC 0...10 V ¹⁾				
SKB62...				Yes				
SKC32.60	Electro-hydraulic	AC 230 V	3- position	-	120 s	2800 N	N4566	
SKC32.61				Yes				
SKC82.60		AC 24 V		-				
SKC82.61				Yes				
SKC60				DC 0...10 V ¹⁾				
SKC62...				Yes				

Actuators SAX81.. and SAX61.. are UL listed

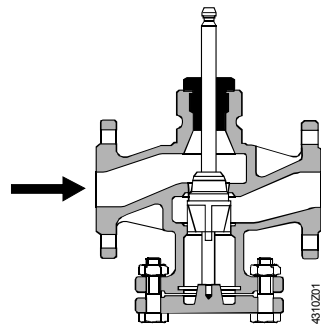
¹⁾ or DC 4...20 mA or 0...1000 Ω

Pneumatic actuators

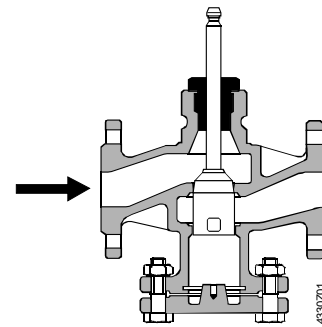
Pneumatic actuators are available on request from your local office.

Technical design / mechanical design

Valve cross section



DN 15... 40
closes against pressure



DN 50...150
closes against pressure

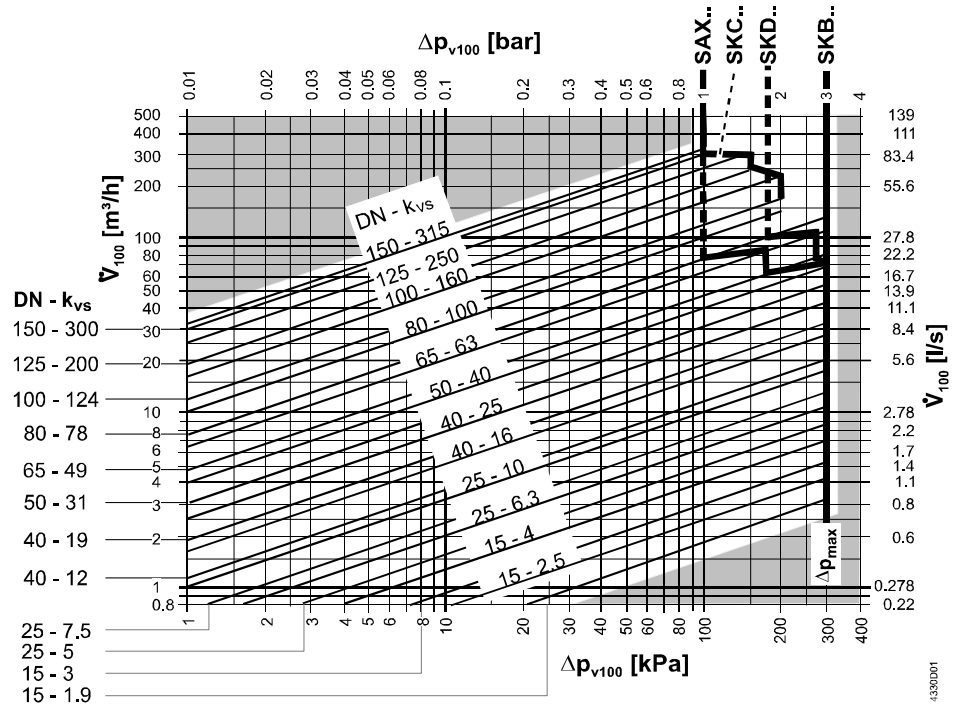
Guided plug which is integrated in the valve stem. The seat is machined in the valve body. Schematic representation, design variations are possible.



The two-port seat valve does not become a three-port valve by removing the blank flange!

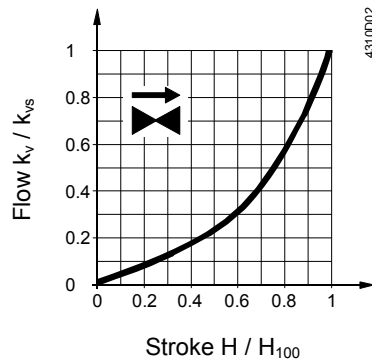
Sizing

Flow diagram



- Δp_{max} = Maximum permissible differential pressure across the valve's control path, valid for the entire actuating range of the motorized valve
- Δp_{v100} = Differential pressure across the fully open valve by a volume flow V_{100}
- \dot{V}_{100} = Volume flow through the fully open valve (H_{100})
- 100 kPa = 1 bar \approx 10 mWC
- 1 m³/h = 0.278 l/s water at 20 °C

Valve flow characteristic



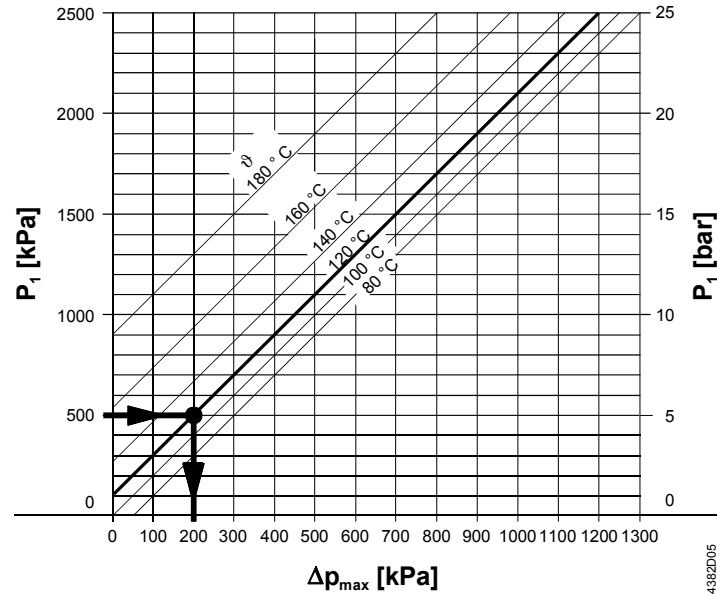
- 0...30 % → linear
- 30...100 % → equal percentage $n_{gl} = 3$ as per VDI / VDE 2173
- k_{vs} -values 100, 160, 250, 315 m³/h:
- 0...30 % → linear
- 30...75 % → equal-percentage ($n_{gl} = 3$) as per VDI / VDE 2173
- 75...100 % → optimized for maximal flow k_{v100}

Cavitation

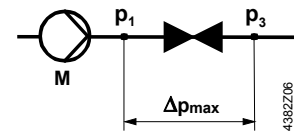
Cavitation accelerates wear on the valve plug and seat, and also results in undesirable noise. Cavitation can be avoided by not exceeding the differential pressure shown in the "Flow diagram" on page 5, and by adhering to the static pressures shown below.

Note on chilled water

To avoid cavitation in chilled water circuits ensure sufficient counter pressure at valve outlet, e.g. by a throttling valve after the heat exchanger. Select the pressure drop across the valve at maximum according to the 80 °C curve in the flow diagram below.



- Δp_{max} = Differential pressure with valve almost closed, at which cavitation can largely be avoided
- p_1 = Static pressure at inlet
- p_3 = Static pressure at outlet
- M = Pump
- ϑ = Water temperature

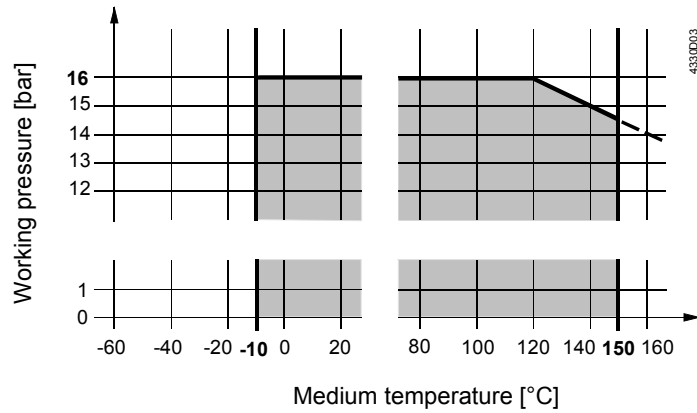


High temperature hot water example:

Pressure p_1 at valve inlet: 500 kPa (5 bar)
 Water temperature: 120 °C

From the diagram above, it will be seen that with the valve almost closed, the maximum permissible differential pressure Δp_{max} is 200 kPa (2 bar).

Working pressure and medium temperature



Working pressure and medium temperature staged as per ISO 7005

Current local legislation must be observed.

Notes

Engineering

We recommend installation in the return pipe, as the temperatures in this pipe are lower for applications in heating systems, which in turn, extends the stem sealing gland's life.



Always use a strainer upstream of the valve to increase the valve's functional safety.



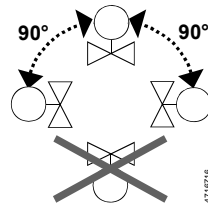
For media below 0 °C, use the electric stem heating element to prevent the valve stem from freezing in the sealing gland. For safety reasons, the stem heating element has been designed for AC 24 V / 30 W operating voltage.

Mounting

Both valve and actuator can easily be assembled at the mounting location. Neither special tools nor adjustments are required.

The valve is supplied with Mounting Instructions 74 319 0509 0.

Orientation



Direction of flow

When mounting, pay attention to the valve's flow direction symbol →.

Commissioning



Commission the valve only if the actuator has been mounted correctly.

Valve stem retracts: valve opens = increasing flow

Valve stem extends: valve closes = decreasing flow

Maintenance

Warning

VVF40.. valves require no maintenance.

When doing service work on the valve / actuator:

- Deactivate the pump and turn off the power supply
- Close the shutoff valves
- Fully reduce the pressure in the piping system and allow pipes to completely cool down

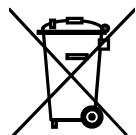
If necessary, disconnect the electrical wires.

Before putting the valve into operation again, make certain the actuator is correctly fitted.

Stem sealing gland

The glands can be exchanged without removing the valve, provided the pipes are depressurized and cooled off and the stem surface is unharmed.
If the stem is damaged in the gland range, replace the entire stem-plug-unit.
Contact your local office or branch.

Disposal



Before disposal the valve must be dismantled and separated into its various constituent materials.

Legislation may demand special handling of certain components, or it may be sensible from an ecological point of view.

Current local legislation must be observed.

Warranty

The technical data given for these applications is valid only in conjunction with the Siemens actuators as detailed under "Equipment combinations", page 3.
All terms of the warranty will be invalidated by the use of actuators from other manufacturers.

Technical data

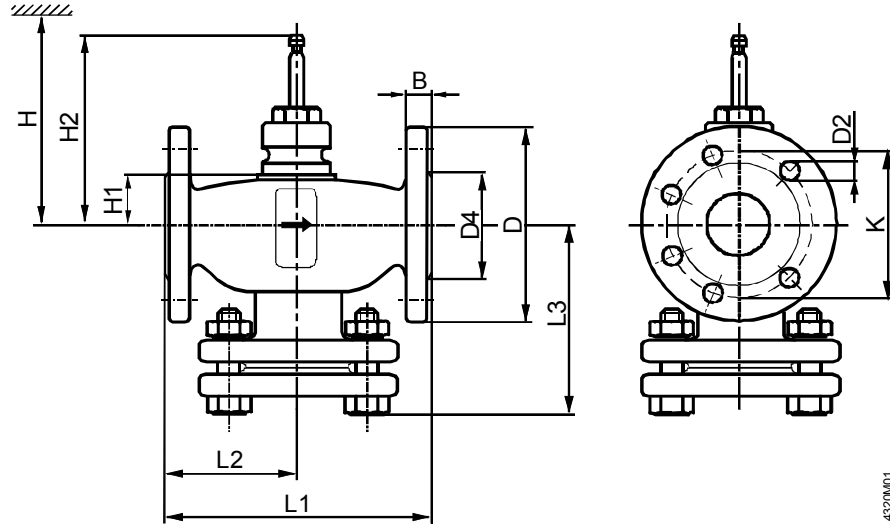
Functional data	PN class	PN 16 to ISO 7268
	Working pressure	to ISO 7005 within the permissible "medium temperature" range according to the diagram, page 7
	Flow characteristic	• 0...30 % • linear • 30...100 % • equal percentage; $n_{gl} = 3$ to VDI / VDE 2173 ¹⁾
	Leakage rate	0...0.02 % of k_{vs} value to DIN EN 1349
	Permissible media	chilled water, low temperature hot water, high temperature hot water, water with anti-freeze, brine; recommendation: water treatment to VDI 2035
	Medium temperature ²⁾	-10...+150 °C
	Rangeability S_v	DN 15...40: > 50 DN 50...150: > 100
	Nominal stroke	DN 15...80: 20 mm DN 100...150: 40 mm
Industry standards	Pressure Equipment Directive	PED 97/23/EC
	Pressure Accessories	as per article 1, section 2.1.4
	Fluid group 2:	• DN 15...50 • without CE-marking as per article 3, section 3 (sound engineering practice) • DN 65...125 • category I, with CE-marking • DN 150 • category II, with CE-marking, test authority number 0036
	Environmental compatibility	ISO 14001 (Environment) ISO 9001 (Quality) SN 36350 (Environmentally compatible products) RL 2002/95/EG (RoHS)
Materials	Valve body	grey cast iron
	DN15 .. DN80	EN-GJL-200
	DN100 .. DN150	EN-GJL-250
	Stem	stainless steel
	Plug	DN 15...40: brass DN 50...150: bronze
	Sealing gland	Brass, silicon free
Dimensions / Weight	Gland materials	EPDM O rings, silicon free
	Refer to "Dimensions", page 9	
	Flange connections	to ISO 7005

1) k_{vs} -values 100, 160, 250, 315 m³/h: flow characteristic is over 75 % stroke optimized for maximal flow k_{v100} , see page 5.

2) Electric stem heating element required for media below 0 °C.

Dimensions

Dimensions in mm



4320M01

Product number	DN	B	D Ø	D2 Ø	D4 Ø	K	L1	L2	L3	H1	H2	H				kg [kg]
												SAX...	SKD...	SKB...	SKC...	
VVF40.15-1.9	15	14	95	14 (4x)	46	65	130	65	86	40,5	137	> 483.5	> 540	> 615		4,1
VVF40.15-2.5																4,1
VVF40.15-3																4,1
VVF40.15-4																4,1
VVF40.25-5	25	16	115	14 (4x)	65	85	160	80	104	34	130,5	> 476	> 534	> 609		6,3
VVF40.25-6.3																6,3
VVF40.25-7.5																6,3
VVF40.25-10																6,3
VVF40.40-12	40	18	150	19 (4x)	84	110	200	100	126	39	135,5	> 481	> 539	> 614		10,4
VVF40.40-16																10,4
VVF40.40-19																10,4
VVF40.40-25																10,4
VVF40.50-31	50	20	165	19 (4x)	99	125	230	115	143	60	156,5	> 502	> 560	> 635		13,8
VVF40.50-40																13,8
VVF40.65-49																18,5
VVF40.65-63																18,5
VVF40.80-78	80	22	200	19 (4x)	132	160	310	155	185	60	156,5	> 502	> 560	> 635		24,1
VVF40.80-100																24,1
VVF40.100-124	100	24	220	19 (8x)	156	180	350	175	205	93	209,5					> 666
VVF40.100-160																> 666
VVF40.125-200	125	26	250	19 (8x)	184	210	400	200	232	104	220,5					> 677
VVF40.125-250																> 677
VVF40.150-300	150	26	285	23 (8x)	211	240	480	240	275	120	236,5					> 693
VVF40.150-315																> 693

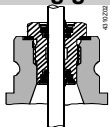
DN = Nominal size

H = Total actuator height plus minimum distance to the wall or the ceiling for mounting, connection, operation, maintenance etc.

H1 = Dimension from the pipe centre to install the actuator (upper edge)
H2 = Valve in the «Closed» position means that the stem is fully extended

Spare parts

Order numbers for spare parts

Product number	Sealing gland	Set
		Plug with stem, circlip, sealing
VVF40.15-1.9	4 284 8806 0	74 676 0140 0
VVF40.15-2.5	4 284 8806 0	74 676 0198 0
VVF40.15-3	4 284 8806 0	74 676 0141 0
VVF40.15-4	4 284 8806 0	74 676 0199 0
VVF40.25-5	4 284 8806 0	74 676 0034 0
VVF40.25-6.3	4 284 8806 0	74 676 0200 0
VVF40.25-7.5	4 284 8806 0	74 676 0035 0
VVF40.25-10	4 284 8806 0	74 676 0201 0
VVF40.40-12	4 284 8806 0	74 676 0036 0
VVF40.40-16	4 284 8806 0	74 676 0202 0
VVF40.40-19	4 284 8806 0	74 676 0037 0
VVF40.40-25	4 284 8806 0	74 676 0203 0
VVF40.50-31	4 284 8806 0	74 676 0038 0
VVF40.50-40	4 284 8806 0	74 676 0204 0
VVF40.65-49	4 284 8806 0	74 676 0039 0
VVF40.65-63	4 284 8806 0	74 676 0205 0
VVF40.80-78	4 284 8806 0	74 676 0040 0
VVF40.80-100	4 284 8806 0	74 676 0206 0
VVF40.100-124	4 679 5629 0	74 676 0088 0
VVF40.100-160	4 679 5629 0	74 676 0207 0
VVF40.125-200	4 679 5629 0	74 676 0089 0
VVF40.125-250	4 679 5629 0	74 676 0208 0
VVF40.150-300	4 679 5629 0	74 676 0090 0
VVF40.150-315	4 679 5629 0	74 676 0090 0

Revision numbers

Product number	Valid from rev. no.	Product number	Valid from rev. no.	Product number	Valid from rev. no.
VVF40.15-1.9	..B	VVF40.40-12	..B	VVF40.80-78	..B
VVF40.15-2.5	..B	VVF40.40-16	..B	VVF40.80-100	..B
VVF40.15-3	..B	VVF40.40-19	..B	VVF40.100-124	..B
VVF40.15-4	..B	VVF40.40-25	..B	VVF40.100-160	..B
VVF40.25-5	..B	VVF40.50-31	..B	VVF40.125-200	..B
VVF40.25-6.3	..B	VVF40.50-40	..B	VVF40.125-250	..B
VVF40.25-7.5	..B	VVF40.65-49	..B	VVF40.150-300	..B
VVF40.25-10	..B	VVF40.65-63	..B	VVF40.150-315	..B