

Installation Instruction BCM8001A Line Card



Figure 1
BCM8001A

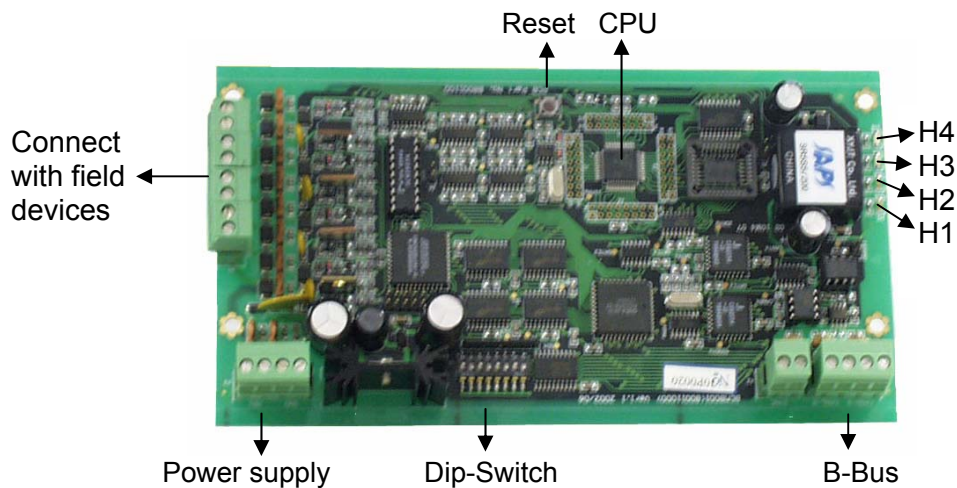
Overview

BCM8001A is designed for BC8002A to communicate between field devices and control units. It contains 4 field buses.

Features

- BCM8001A line card is designed specially for BC8002A control units. It can be identified automatically by control units and used for connection with BDS field devices
- One BCM8001A includes up to 4 lines, 127 points per line, in total up to 508 points
- 2-wire detector-bus with polarity-free, allowing transmission distances up to 1'000m (twisted pair 1.5 mm²; evenly distributed devices), any branches can be added
- Overload protection
- Short circuit protection, after fault is removed, BCM8001A can recover automatically
- BCM8001A is addressable and programmable device

Key component



LEDs

There are 4 LEDs on BCM8001A (See above picture)

Name	Color	Status	Message
H1	green	On	System power supply is normal
		Off	System power supply is fault
H2	green	On	B-Bus isolation power supply is normal
		Off	B-Bus isolation power supply is fault
H3	red	Flashing	Communication between line card and B-Bus is normal
		On	Communication between line card and B-Bus is fault
H4	red	Flashing	4 lines are all working normally
		On	One or more lines have faults

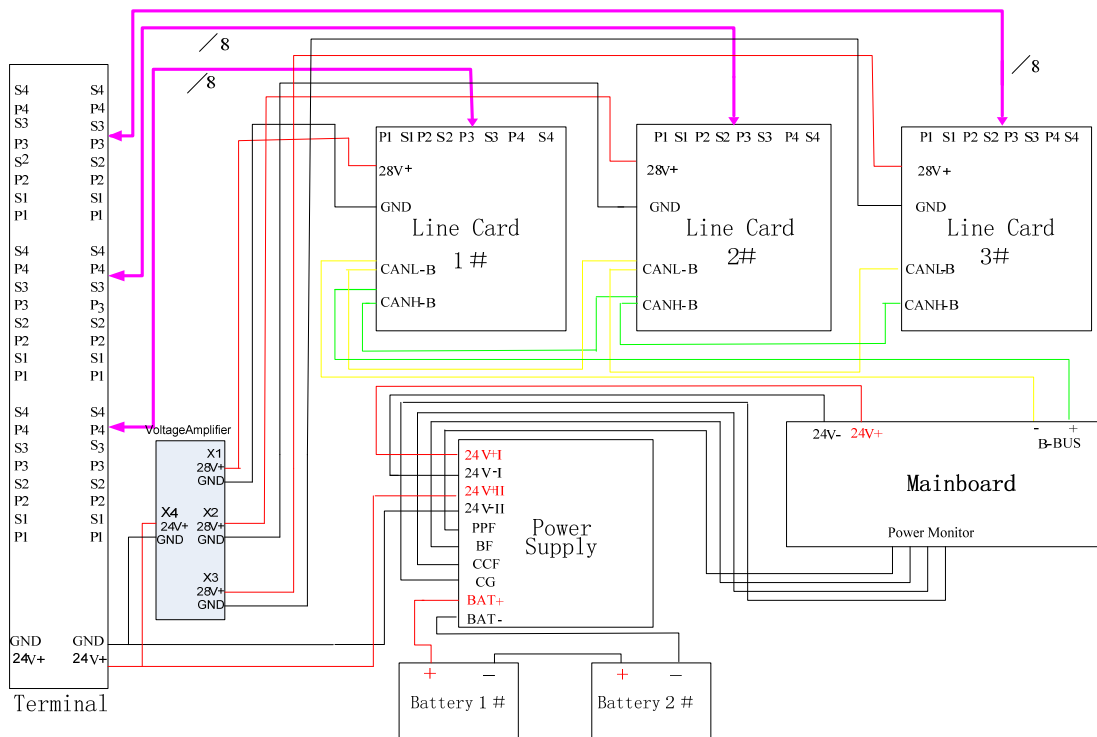
Dip-switch

8-digit Dip-switch on BCM8001A is used to set B-Bus address. The effective address scope is from 1 to 4, refer to attachment

B-Bus Address	Dip-switch							
	1	2	3	4	5	6	7	8
Not available	Off	Off	Off	Off	Off	Off	Off	Off
1.	On	Off	Off	Off	Off	Off	Off	Off
2.	Off	On	Off	Off	Off	Off	Off	Off
3.	On	On	Off	Off	Off	Off	Off	Off
4.	Off	Off	On	Off	Off	Off	Off	Off

Voltage Amplifier

It is used to increase power supply voltage from 24VDC to 28 VDC.



Technical Specification

Items	Parameters
Max. number of lines per card	4
Max. number of field devices per line	127
Max. number of load factors per line	150
Type and capacity of wiring	Suggestion: RVS1.0~RVS1.5
Max. distance between control unit and the last detector	700m (twisted pair 1.5 mm ² ; evenly distributed devices)
Operating voltage	Modulate, 16V~32VDC
Quiescent current	Full load: 200mA (one line) No load: 110mA
Dimension	100×200mm

Order Information

Type	Description	Stock Code
BCM8001A	BC8002A Line Card	100790552