



FT1810 Floor Repeater Display Product Manual

Overview

The floor repeater display is an indication and operation unit in a fire detection system with the following functions:

- | Indication of events | Operation |
|---------------------------------------------------------------------------|-------------------------------------------------------------------------------------------------------|
| <ul style="list-style-type: none">● Alarm● Trouble | <ul style="list-style-type: none">● Scrolling through lists● Switch off buzzer |

The display on the floor repeater terminal is synchronized with the fire control panel and displays the same event texts.

Characteristic

- Small floor repeater operating and display panels applied in FC18 fire detection system
- Large backlight LCD display(192X64), contrast can be adjusted manually
- Communication with controller via FR18-BUS (individual address)
- External 24 VDC power supply required
- In total, up to 32 floor repeater displays can be connected to a FC18 fire alarm controller
- Flat, elegant housing

Function

- Display of alarms, troubles event (252 items at most)
- Same message layout as the fire control panel
- With the navigation keys an indicated list in the display can be scrolled through
- The internal buzzer can be switched off manually in case of alarm

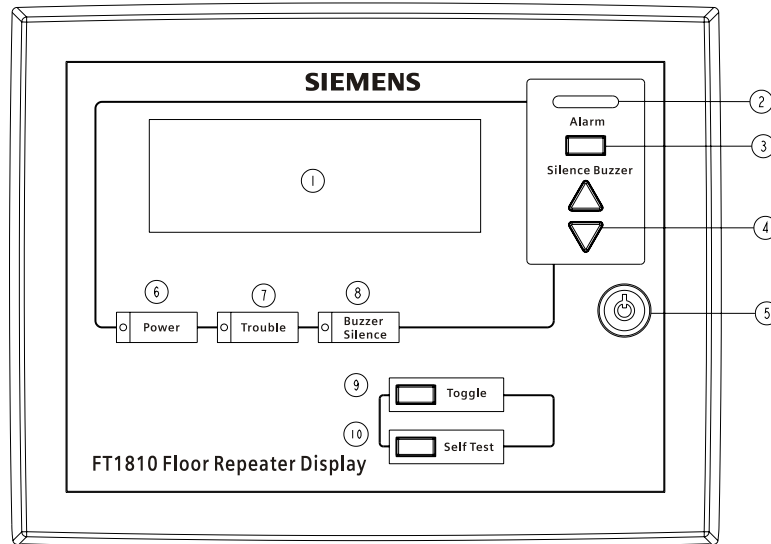


Fig.1 Front view

No.	Name	Function
1.	LCD	Display of alarms and troubles, when alarm is displayed, – Manu: manual alarm – Auto: automatic alarm
2.	Alarm	light up in case of fire
3.	<Silence Buzzer>	Silence buzzer
4.	<Query>	Query alarm/fault information forward/backward
5.	Lock	Open/close front panel
6.	Power	Light up when power supply is normal
7.	Trouble	Light up in case of trouble
8.	Buzzer Silence	Light up when silence is pressed
9.	<Toggle>	Switch query between alarm and trouble
10.	<Self Test>	Check work status of LCD, indicators and buzzer Steps: 1. Press UP → DOWN→UP to enter level 2. 2. Press <Self Test> to start to self test. Note: If <Self Test> is not pressed after pressing UP → DOWN→UP over 20 seconds, the system will logout from level 2 automatically.

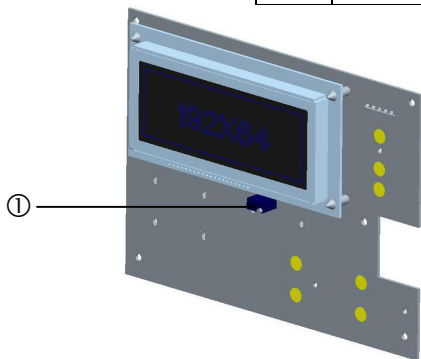


Fig. 2 Front view of PCB board

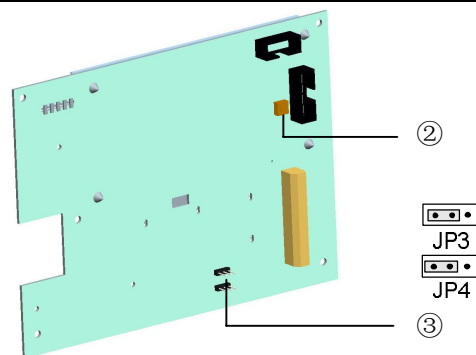


Fig. 3 Back view of PCB board

Note: 1. Use to adjust contrast of LCD (PCB board should be removed)
2. "Reset": press for 5 sec to reset the display
3. Jumper: the 120Ω EOL resistor is connected when jumper switch is set as shown in the Fig. 3

DIP switch

8-digit Dip-switch is used for setting the FT1810 address and switching languages. The first 1-5 digits is for setting the FT1810 address 0-31, the last 6-8 digits is for switching languages among Chinese, English, Russian, Spain, Portuguese.

Address	DIP switch				
	1	2	3	4	5
0	Off	Off	Off	Off	Off
1	On	Off	Off	Off	Off
2	Off	On	Off	Off	Off
3	On	On	Off	Off	Off
4	Off	Off	On	Off	Off
5	On	Off	On	Off	Off
⋮					
31	On	On	On	On	On

Language	DIP switch		
	6	7	8
Chinese	Off	Off	Off
English	Off	Off	On
Russian	Off	On	Off
Spain	Off	On	On
Portuguese	On	Off	Off

Installation

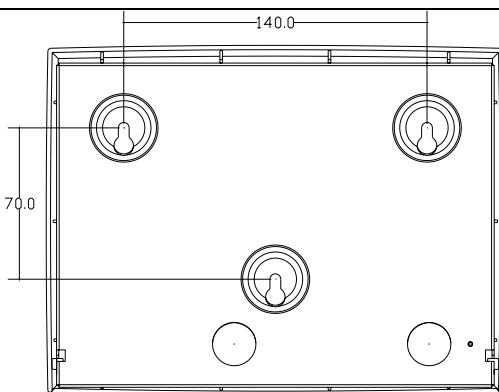


Fig. 4 Dimension (In: mm)

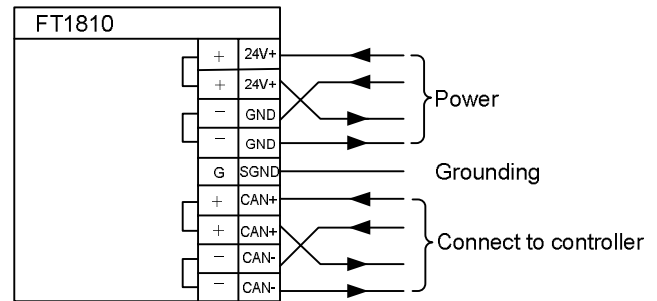


Fig. 5 Connection

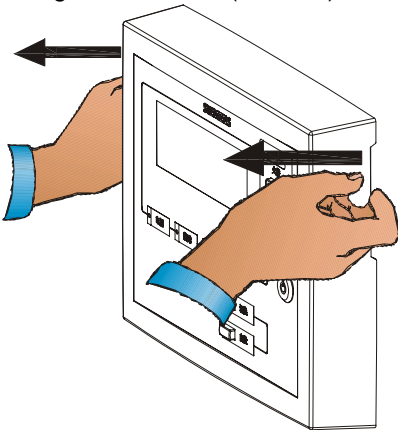


Fig. 6

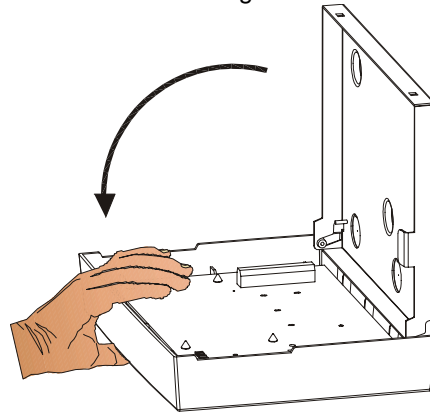


Fig. 7

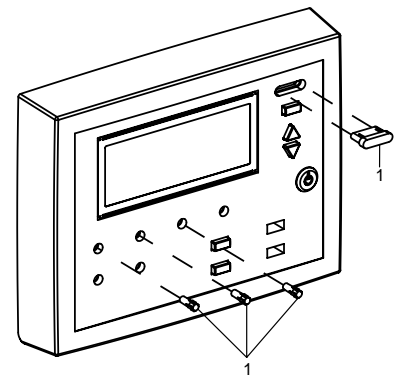
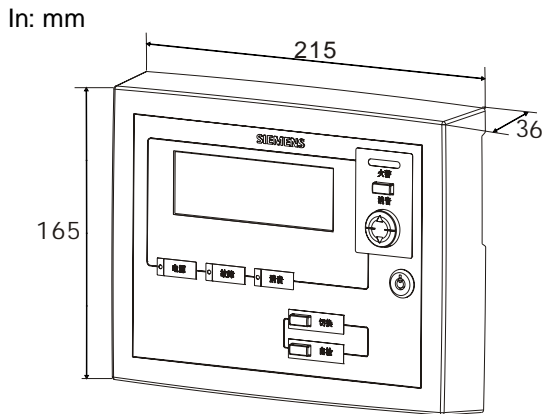


Fig. 8 (1:light guider)

Steps:

1. Insert the loop line and external power wire through the floor repeater display.
2. Mark the position for the 3 installation holes on a flat wall (Fig. 4), drill the holes, put expansion bolts in and insert the screws leaving a small gap for hanging the display.
3. Hang the floor repeater display over those screws through installation holes.
4. Unlock with key and open the front panel (Fig. 6/7), tighten the screws and make sure the display is fixed firmly.
5. Connect cables to terminals referring to the connection diagram (Fig. 5). A 120Ω EOL resistor must be connected when the display is at the end of FR18-BUS. Refer to internal jumper of FT1810 (Fig. 3).
6. Close the front panel.
7. Lock it with the key and remove the key, put it in a safe place.
8. Install light guider (4 pcs) (Fig.8), stick the film.

Dimension



Technical data

Operating voltage	24 VDC±20%
Operating current (quiescent)	30 mA
Activation current	110 mA
Operating temperature	0 ... +42 °C
Storage temperature	-20 ... +60 °C
Humidity	≤95 % rel.
Communication protocol	FR18-BUS(CAN-BUS)
Connection terminals	1.0 ... 1.5 mm ²
Color	White, RAL 9010
Protection category GB4208-93	IP30

Details for ordering

Type	Material No.	Part No.	Designation	Weight
FT1810	S54420-F3-A1	100856216	Floor repeater display	0.75 Kg

Beijing Siemens Cerberus Electronics Limited
No.1, Fengzhidonglu, Xibeiwang, HaiDian District,
Beijing, 100094, China
Tel: +10 6476 8806
Fax: +10 6476 8899

© Data and design subject to change without notice.