



FDCAI181 Addressable Alarm Indicator Product Manual

Characteristics

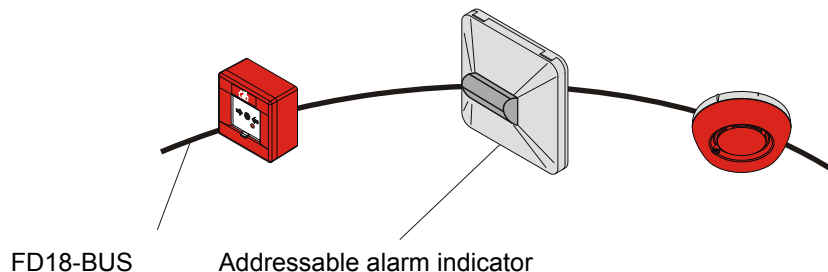
- Addressable external alarm indicator
- Indication of detectors in alarm in ceiling voids etc.
- Free programmable
- Communication via FD18-BUS (individual addressing)
- Modern flat design
- Non screw terminals
- Ecologically processing
- Recyclable materials
- Electronic and synthetic materials easily separable

Function

- The FDCAI181 alarm indicator is connected to the loop and can be programmed to indicate quickly the source of an alarm signal from detectors which are not easily accessible or visible.
- Addressing and control takes place via the control panel. The alarm indicator is switched as if it was a detector in the detector line.
- The alarm indicator has 2x2 connectors for the detector line.
- The alarm indicator contains indicator lamps (LEDs). They light up as soon as the connected fire detector gives an alarm.

Application

- Indication of the alarm from detectors hidden from view. E.g. Ceiling voids, offices, store rooms etc.
- For application in dry areas
- Corridor indication of rooms covered by radio devices or over the door of monitored rooms



Installation

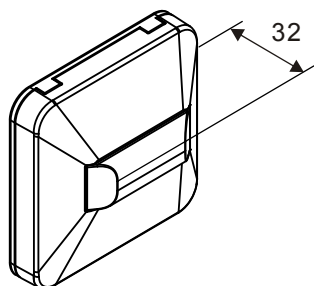


Fig. 1

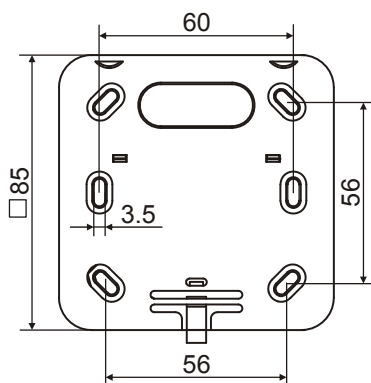


Fig. 2

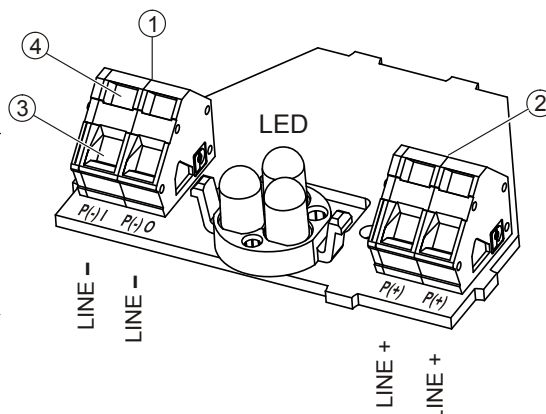


Fig. 3

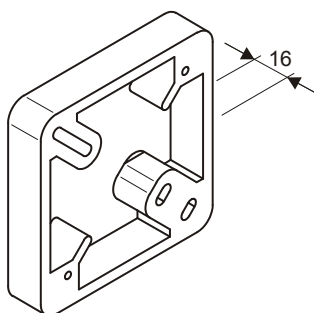


Fig. 4

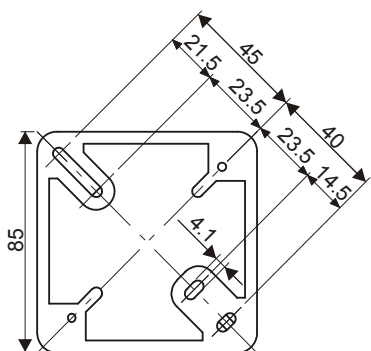


Fig. 5

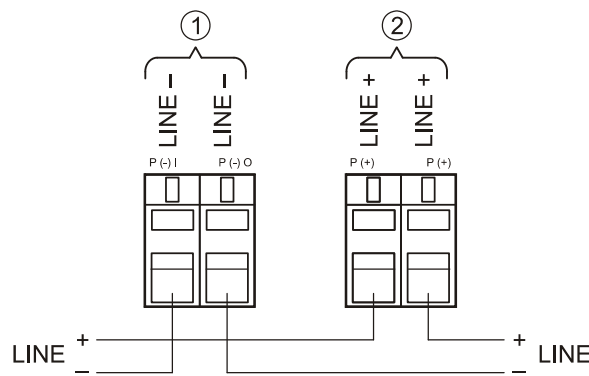


Fig. 6



WARNING

Electrical voltage on lines

Mortal danger due to electric shock

- During mounting and installation work, voltage must not be applied to the cables.

Installation of FDCAI181:

1. Remove the white cover cap (press the black cam).
2. Mount the base plate (Fig. 2) on a wall or recess-mounted socket using 2 ... 4 screws with max. diameter 3 mm.
3. Connect the alarm indicator in accordance with the connection diagram (Fig. 3, Fig. 6).
4. Refit the white cover cap.
5. Snap the white cover cap into place.

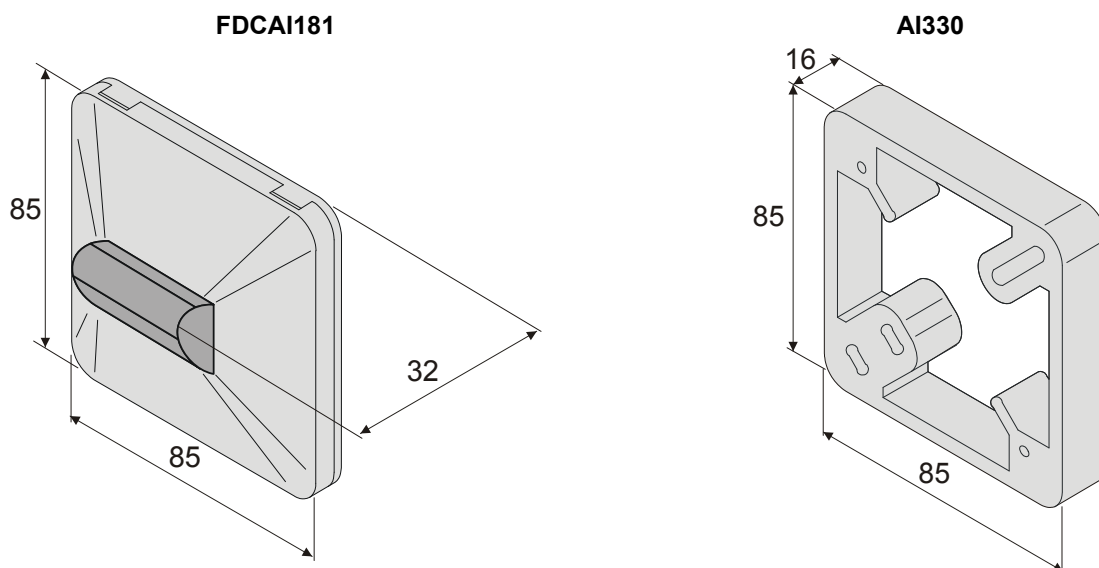
Installation of additional frame AI330:

For surface-mounted cable entry the additional frame AI330 must also be mounted.

Max. cable diameter: 10 mm

1. Mount the additional frame AI330 (accessory) on a wall or recess-mounted socket using two screws with max. diameter of 4 mm (Fig. 4, Fig. 5).
2. Remove the white cover cap from alarm indicator FDCAI181 (press the black cam).
3. Attach the base plate of the alarm indicator to additional frame AI330 with 2 wood or sheet-metal screws of diameter 3 mm, max. 16 mm long.
4. Connect the alarm indicator in accordance with the connection diagram (Fig. 3, Fig. 6).
5. Refit the white cover cap.
6. Snap the white cover cap into place.

Dimensions



Technical data

Operating voltage	DC 12... 33 V
Operating current (quiescent)	<200µA
Blinking cycle	1s: Locate or Alarm 0.5s: Locate when Alarm
Load factor	1
Connection terminals	1.0...1.5 mm ²
Operating temperature	-10 ... +55 ° C
Storage temperature	-20 ... +70 ° C
Humidity	≤95 % rel
Communication protocol	FD18-BUS
Color	white, ~RAL 9010
Protection category	IP40

Details for ordering

Type	Part No.	Designation	Weight
FDCAI181	S54370-F21-A1	Addressable alarm indicator	0.0493 kg

Beijing Siemens Cerberus Electronics Limited
No.1,Fengzhidonglu, Xibeiwang, HaiDian District,
Beijing, 100094, China
Tel: +10 6476 8806
Fax: +10 6476 8899

© Data and design subject to change without notice.