

Installation Instruction Model BDS221A Addressable Output Module



Figure 1
BDS221A

Overview

BDS221A output modules are designed for use in activation of products that are connected to an intelligent fire alarm system. It provides one set of Form-C contacts that switch together. For critical process management application, the input is capable of monitoring a dry contact for open conditions for fire alarm applications.

Features

- Comply with UL864.
- Output precondition is programmable.
- The input signals to the D and G terminals are normally potential free signals. It can be programmed as alarm input to trigger alarm devices, or programmed as technical input to monitor feedback signal from controlled device. See commissioning document for detail.
- The BDS221A can output one single pulse or continuous level signal.
- Input path of the module is supervised including short, open and short to ground via an end of line device (EOL82).

Installation

Pre-Installation:

1. Set address for each BDS221A module using the Dip-switch (binary, the first 1-7 digits are available) located on the module. Each of these addresses must be the same as the addresses assigned in the project file.
2. Set deliver signal type using the 8th digit of the Dip-switch: "on" – deliver continuous level signal; "off"- deliver pulse signal.

The BDS221A output module should be installed in the following way:

1. Drill 2 holes (distance is 60mm) on the wall. See figure 2.
2. Fix the module housing on wall with 2 M3 screws.
3. Connect "P" and "S" terminals to detection bus.
4. In the case of voltage signal output, connect "CO-NO" or "CO-NC" terminals to the controlled equipment. Connect "G" and "D" with dry contacts of controlled equipment as feedback monitoring if it is necessary. See figure 3.

A listed gang box(4×4×2 inch) must be used for mounting.

Note:

- It is recommended wiring with twisted-pairs from module to module, the wiring requirement is 18AWG to 16AWG.

Technical Specification

Operating voltage	24VDC
Quiescent current	≤1mA
Alarm current	≤30mA
DG max. current	412mA
Operating temperature	0~+49℃
Relative humidity	≤93%(32±2℃)

Operation

LED indicator

Status	Condition
Steady On	Constant output
Pulse	One single pulse, 1s interval
Off	On site device is normal

Order Information

Type	Description	Stock Code
BDS221A	Addressable Output Module	A5Q00021149
EOL82	End of line Device	A5Q00021241

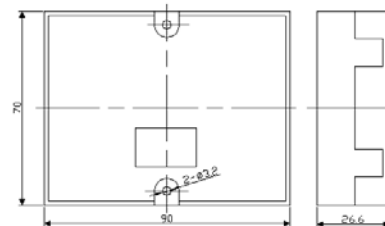


Figure 2 Installation Diagram

Notes:

1. Input supervised.
2. Max. distance 200m (the wiring requirement is 18AWG) from BDS221A to supervised input.
3. All circuits are power limited. The relay contacts must be connected to a power limited source.
4. Relay Output: 2A, 30VDC, 0.35power factor

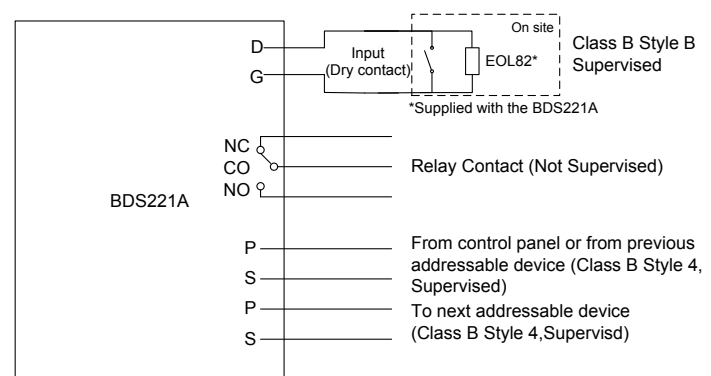


Figure 3 Wiring Diagram