

Installation Instruction Model BDS121A Manual Signaling Box



Figure 1
BDS121A

These instructions are written in accordance with the installation guidelines of NFPA 72, National Fire Alarm Code, The installation of Fire Alarm Systems.

Features

- Comply with UL38.
- The manual signalling box serves for the manual actuation of alarms in case of fire.
- It consists of a housing and an electronics part.
- It is a glass broken signalling box.
- Connect the manual signalling box to the “P” and “S” terminals of F-Bus of BC80 control panel, which is polarity free.
- Glass film against injuring person.
- To be used in house.

Application

- Can be connected to BC80 series control units via detection bus.
- Apply at public area, break glass when fire happens and control unit will release alarm and interlock other devices.
- Use the DIP-switch on manual signalling box to set the address (1-127), which should be the same as that in configuration file (see attached table).

☞ **Note: IN CASE OF FIRE BREAK GLASS!**

Technical Specification

Items	Value
Operating Voltage	18~26VDC
Quiescent Current	≤0.5mA
Alarm Current	≤3.0mA

Installation

The manual signalling box placement should follow the drawings provided or approved by Siemens Building Technologies or by its authorized distributors. This is extremely important! The manual signalling box placements shown on these drawings were chosen after a careful evaluation of all facets of the protected area. When drawings are not available, refer to relevant items of NFPA 72.

The installation steps are as follows:

Preparation:

1. Break out the key and open the cover (see figure 3). Keep the key in a safe place.
2. Determine the inlet opening(s) in the housing (see figure 4).
 - Recessed mounting: Breakout point at housing bottom.

- Surface mounting: Marking on housing top and bottom for drill holes with max. \varnothing 20mm.
3. Clamp the housing in a bench vice.
4. Drill the inlet opening(s).

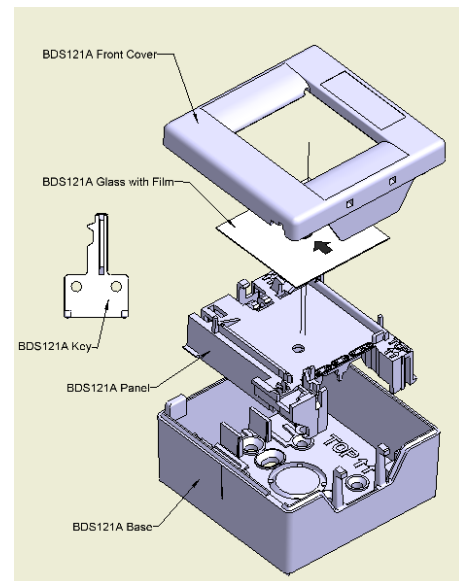


Figure 2 BDS121A disassemble diagram

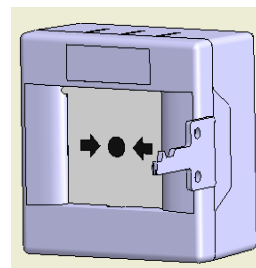


Figure 3 Key use

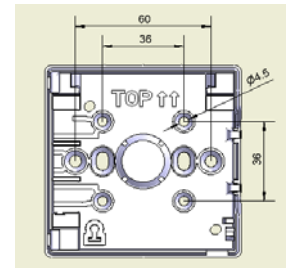


Figure 4
Mounting holes location

Installation:

1. Fix the housing at a height of 1.3 to 1.6m on an even surface.
2. Pull the cables through the inlet opening(s) and into the housing.
3. With surface mounting, use the screwed cable glands(max. M20*1.5)
4. Close the housing with the cover.

Wiring:

1. Open cover with key (see figure 3).
2. Connect the feed line to the terminals on the manual signalling box according to figure 5/6.
3. Consider the feed line when insert the panel.
4. Place the panel into the housing with the inscription “TOP” pointing upward(terminal at the right) until the locking device engages (see

figure 7). When you want to take out the panel, thumbs press the top locking device and pull it out.

5. Close the housing with the cover.

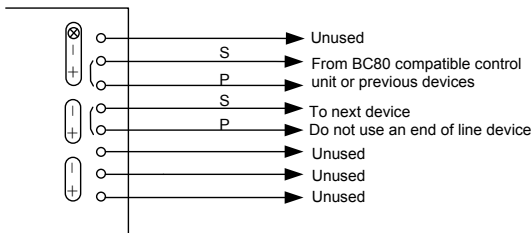


Figure 5 Terminal connection

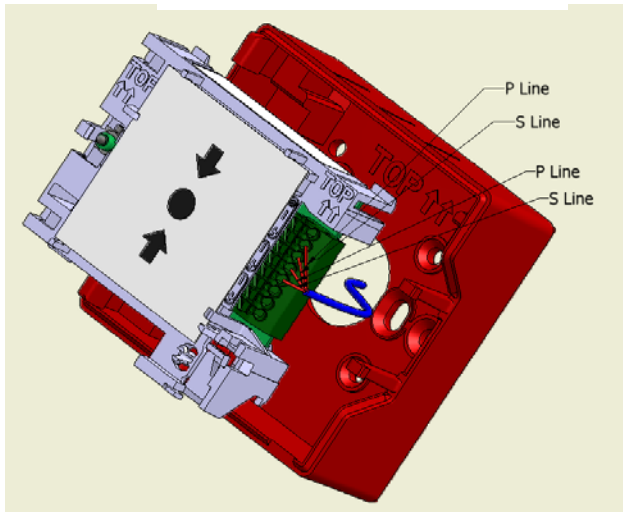


Figure 6 Wire Routing Diagram

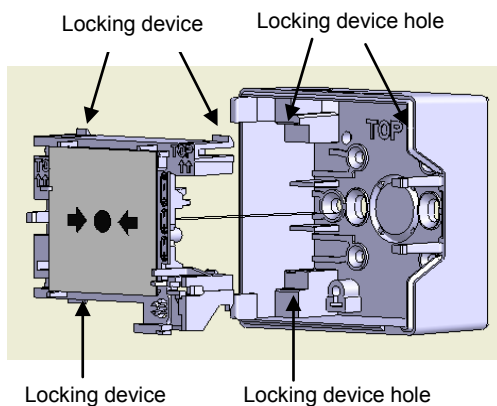


Figure 7 Panel Installation

Note:

- The panel and the housing are delivered separately.
- Do not install panel until all construction is completed.
- It is recommended wiring with twisted-pairs. The wiring requirement is 18 AWG to 14 AWG.

Operation

- When an alarm condition occurs, break glass of the manual signalling box. LED flash. After an alarm condition disappears, a piece of new glass should be installed in the manual signalling box.
- When function test is done, insert key to test hole at the bottom. When function test is finished, pull key out and the manual signalling box will be reset automatically.

Storage

- Do not store manual signalling box where it can be contaminated by dirt, dust or humidity. It should be stored with sealed packaging.

Order Information

Type	Description	Stock Code
BDS121A	Manual Signalling Box	A5Q00016798
FDMG291	MCP Glasses	A5Q00002122
BDS121A-01	Panel	A5Q00018656
BDS121A-02	Housing	A5Q00018661