

Installation Instruction Model TCC-82 Isolator

Figure 1
TCC-82



Features

- Provide 4KV RMS optical isolation protection for 4 signals about 1 minutes
- Provide 15 KV ESD serial port protection
- Automatically detect baud rate
- External power supply is not necessary
- Compact design

Application

- To be connected to BC8002A controller and FMS to avoid grounding trouble.

Technical Specification

Items	Value
Operating Voltage	5 ~12VDC
Power consumption	20mA@5VDC
Baud rate	300 ~ 115.2K bps
Dimension (in:mm)	42(W)×80(L)×23.6(H)
Weight	60g
Operating Temperature	0 ~ +60°C
Storage Temperature	-20 ~ +75°C
Operating Humidity	≤95%(40±2°C)

Connection Diagram

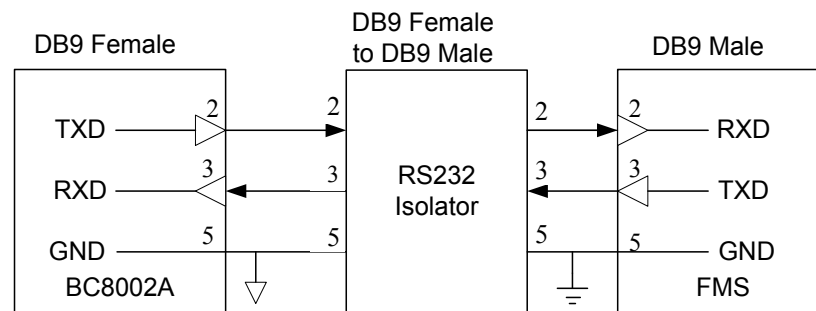


Fig 2 BC8002A connects to FMS via RS232 Isolator

Order Information

Type	Description	Stock Code
TCC-82	RS232 Isolator	100863877