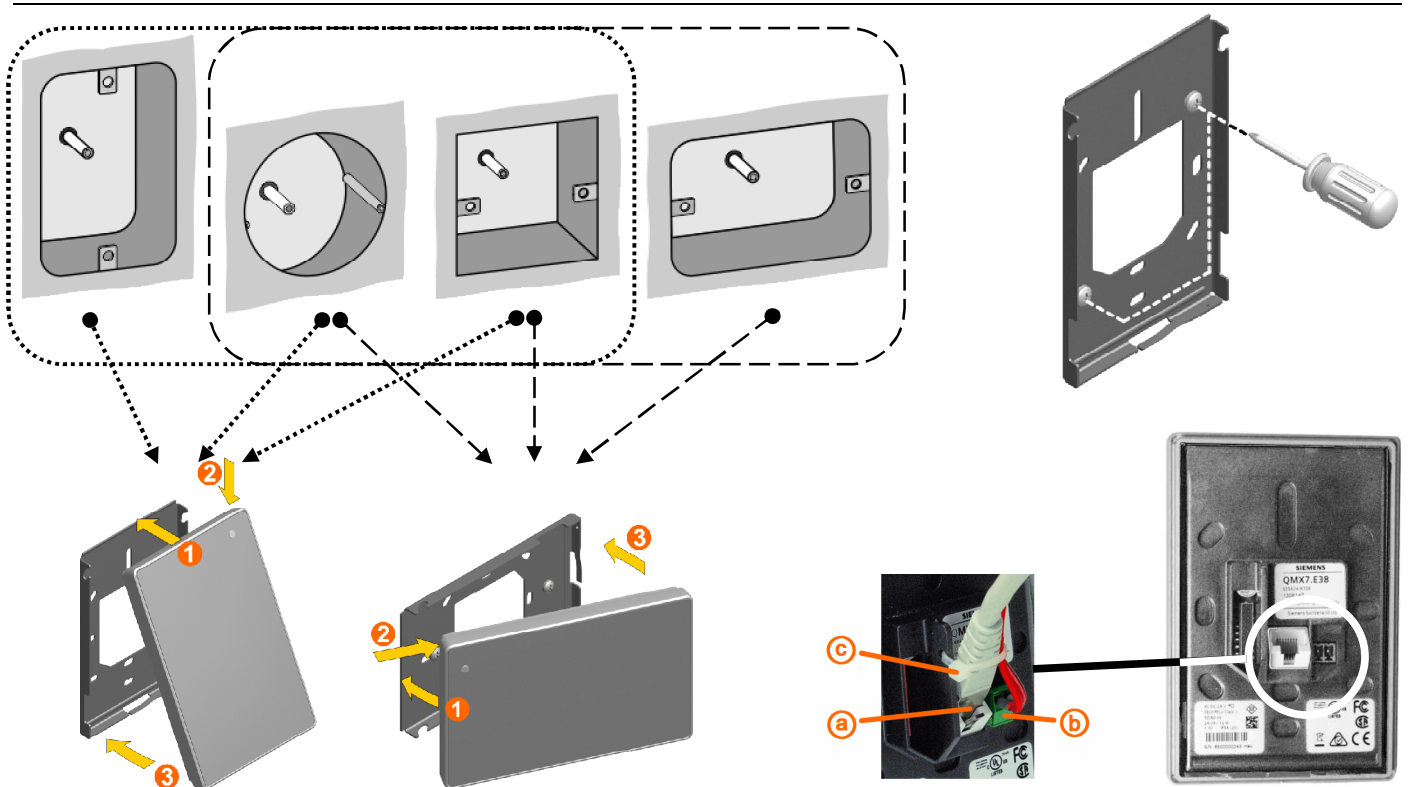
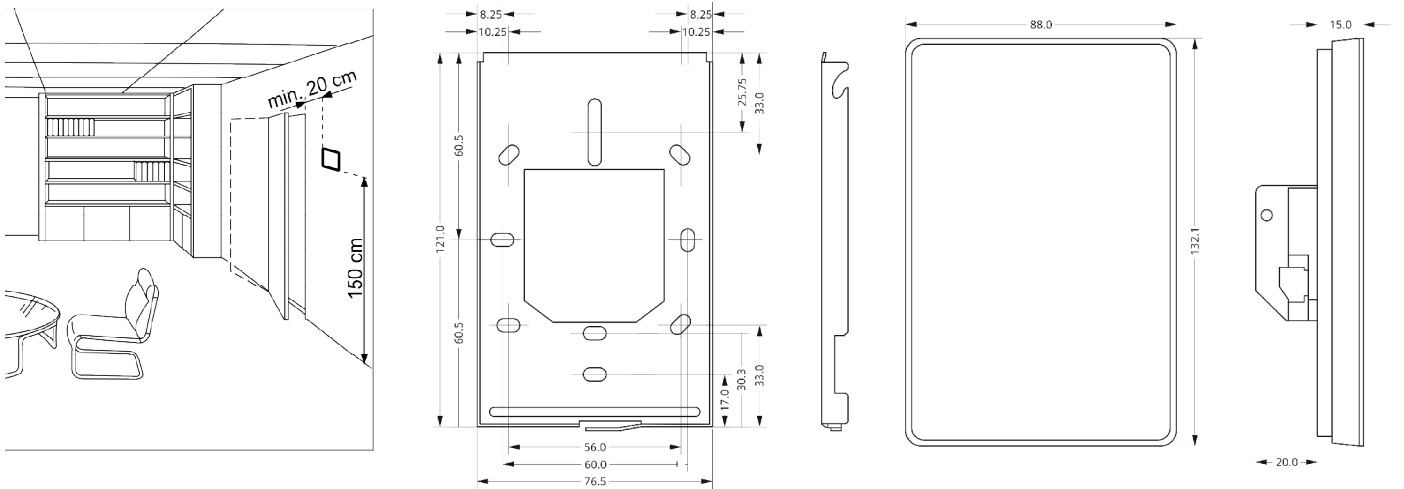
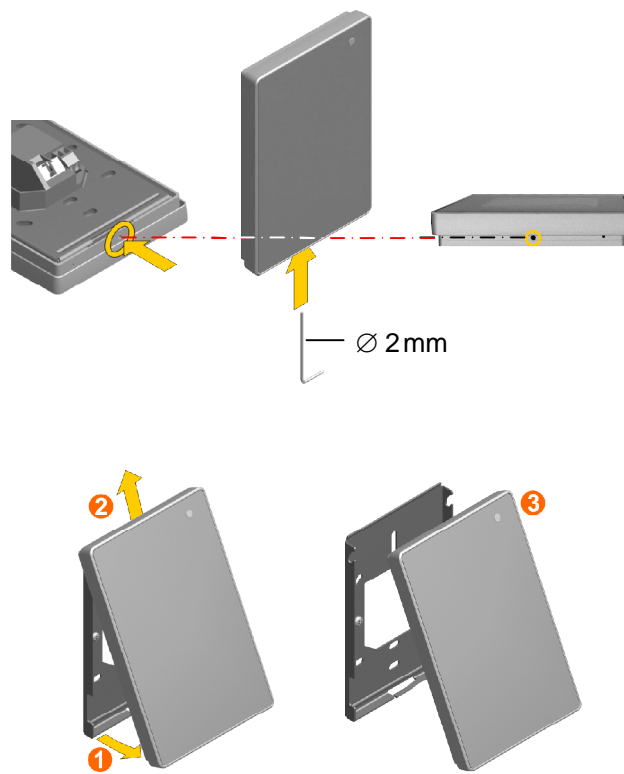


QMX7.E38





3rd Party Software Agreement README

Embedded in, or bundled with, this product are open source software (OSS) components and other third party components identified below. You may receive a copy of, distribute and/or modify any open source code for the OSS component under the terms of their respective licenses, which may be GNU General Public License, the GNU Lesser General Public License, the modified BSD license and the MIT license. In the event of conflicts between Siemens license conditions and the Open Source Software license conditions, the Open Source Software conditions shall prevail with respect to the Open Source Software portions of the software.

On written request within three years from the date of product purchase and against payment of our expenses, Siemens will supply source code for any OSS component identified below in line with the terms of the applicable license. For this, please contact us at:

Siemens Schweiz AG
Building Technologies Group
Intellectual Property
Gubelstraße 22
CH 6300 Zug
Switzerland

Generally, the identified OSS components are distributed in the hope that they will be useful, but WITHOUT ANY WARRANTY, without even implied warranty such as for MERCHANTABILITY or FITNESS FOR A PARTICULAR PURPOSE, and without liability for any Siemens entity other than as explicitly documented in your purchase contract.

All open source software components used within the product (including their copyright holders and the license conditions) are contained on the web server, path -> http://ip_address_of_the_device/licenses/
