



Desigo™ PX

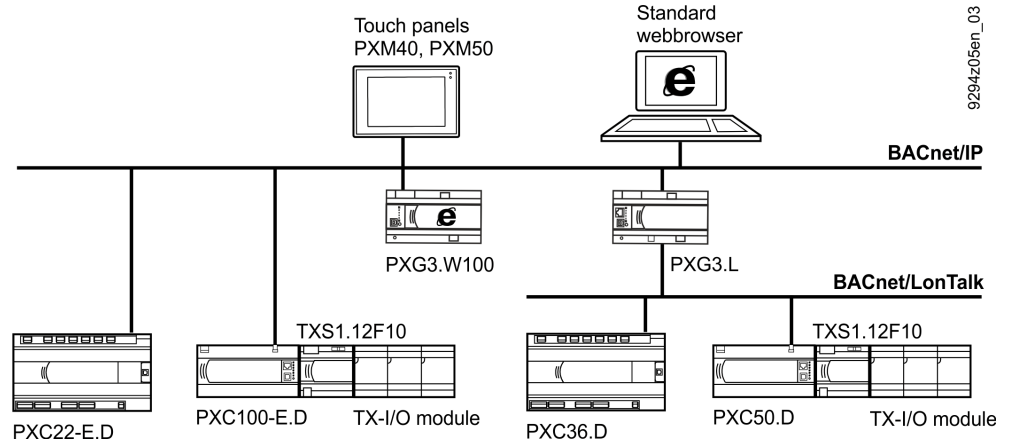
Web interface BACnet/IP

PXG3.W100

Local or remote operation of one or multiple PX automation station(s) via Desigo Touch Panels (TP) and standard web browser

- Ethernet connection
- Central user interface for simultaneous access from various operator units
- Central management of plant graphics and other user views
- Offline engineering using Xworks Plus
- Upload/download configuration data via LAN, or Internet
- LED indication for Ethernet link and activity
- 2-port Ethernet switch for low-cost cabling (10/100baseT)
- Plug-in screw terminal block for supply
- Operating voltage AC 24 V or DC 24 V
- on DIN rail mounting

Topology



9294z05en_03

The PXG3.W100 web interface is the central access point for operating the automation level. The central access point allows simultaneous operation of different operator units. It also supports integration of Desigo touch panels PXM40 / PXM50 as well as access from a standard web browser. The following operating and monitoring functions are available:

- Login and logout.
- Simple plant overview without user login.
- Limit view to plant level.
- Graphical plant operation.
- Alarm list to monitor alarms.
- System-wide alarm collection and routing.
- List of favorites for text-based operation of freely selectable data points.
- Adjustable scheduler via graphical function.
- Visualized trend objects (offline trend).
- Local settings (e.g. languages).
- Optimized interface for Desigo touch panels PXM40 / PXM50 for local plant operation and monitoring.

Desigo Xworks Plus engineers the PXG3.W100 web interface.

Ordering

When ordering, please specify quantity, type, and **product name**.

Example:

Number	Type (ASN)	Product number (SSN)	Product designation
1	PXG3.W100	S55842-Z115	BACnet/IP web interface

Product documentation

Document type	Document no.
Data sheet Touch Panel PXM40,	CM1N9292
Data sheet Touch Panel PXM50	CM1N9293
Operating instructions Desigo Touch and Web	CM111028
Installation and commissioning instructions Desigo Touch and Web	CM111029
Engineering: Online help for Desigo Xworks Plus	CM111006en.chm

Functions

Communication

The web interface has a 2-port Ethernet switch for low-cost cabling on a line topology.

A USB port is available for service and commissioning.

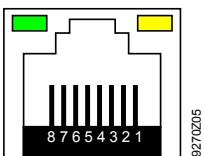
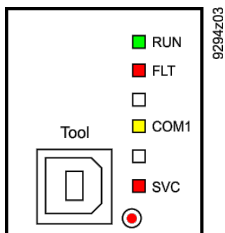
Web server

The device has a web server for processing data from web pages in HTML5 from multiple Desigo PX and other BACnet IP-based devices. Date and time can be viewed via web server.

Web browser compatibility

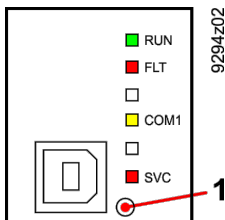
See Installation and commissioning instructions Desigo Touch and Web, CM111029.

LED indicators



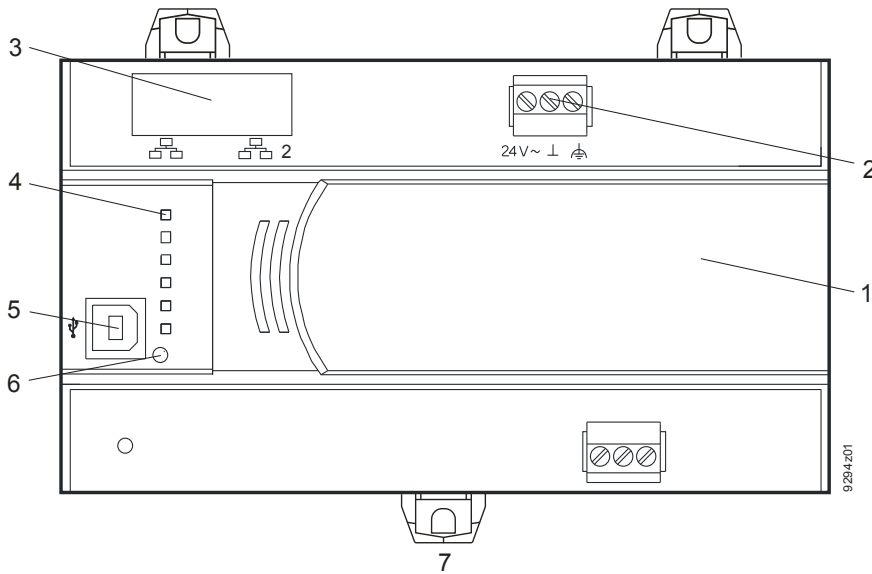
LED	Color	Activity	Function
RUN	Green	<ul style="list-style-type: none"> Continuous ON Continuous OFF Flashing 	<ul style="list-style-type: none"> Device operational Min. one internal feed is in an impermissible range Device starting or program stopped
FLT	Red	<ul style="list-style-type: none"> Continuous OFF Continuous ON Flashing 	<ul style="list-style-type: none"> OK HW or program fault False or corrupt firmware
COM1	Yellow	<ul style="list-style-type: none"> Flashing 	<ul style="list-style-type: none"> Sends Ethernet IP packets
SVC	Red	<ul style="list-style-type: none"> Continuous OFF Flashing 	<ul style="list-style-type: none"> Configures Unconfigured
Ethernet 1 / 2	Green	<ul style="list-style-type: none"> Continuous ON Continuous OFF Flashing 	<ul style="list-style-type: none"> Link active No connection Sends 10 or 100 Mbps Ethernet IP packets
	Yellow	<ul style="list-style-type: none"> Continuous ON Continuous OFF 	<ul style="list-style-type: none"> Link 100 MBit/s Link 10 MB/s

Service button



Button	Conf.	Description
1	• Short	Physical ID on the network (Ethernet)
		<p>To reset the device to factory settings:</p> <ol style="list-style-type: none"> 1. Turn off device. 2. Turn on device. 3. Wait until all LEDs turn on and then off, press the SVC button. 4. Keep SVC button pressed until the green RUN LED flashes, release the SVC button. 5. Wait until the device fully starts – unconfigured (RUN-LED on, SVC LED flashes. <p>Any device passwords and other settings are lost.</p>

Mechanical design



- 1 Plastic housing
- 2 Plug-in terminal block (operating voltage)
- 3 2-port Ethernet switch (with 2 LEDs per port for display purposes)
- 4 LED display for device and system status
- 5 Tool interface (USB)
- 6 Service button for identification on network
- 7 Slider for mounting on DIN rail

Notes

Engineering	Cable length, topology, etc.: See installation manual Desigo TRA, CM111043.
Mounting	The web interface is designed for mounting on a standard rail as well as on walls. The supply is connected to plug-in screw terminal blocks.
Installation	Note the guidelines from the mounting and installation manual (CA110396). See installation manual Desigo TRA, CM111043.
Commissioning	Xworks Plus is used for configuration and engineering. The online help for Xworks Plus (CM111006en.chm) as well as the installation and commissioning instructions Desigo Touch and Web CM11029en contain all the information required to configure and commission the device. Each device has a unique identification number to ensure efficient commissioning. The number is also printed on the removable barcode label. To prevent equipment damage and/or personal injuries always adhere to local safety regulations and required safety standards.
Maintenance	PXG3.W100 is maintenance-free.
Firmware upgrade	The firmware can be upgraded via Ethernet and USB interface using the firmware download tool Desigo SSA-DNT.
Repair	The web interface cannot be repaired. The device must be replaced as a whole.
Disposal	The devices are considered electronics devices for disposal in terms of European Directive 2012/19/EU (WEEE) and may not be disposed of as domestic waste. Dispose of the devices via the proper channels. Adhere to all local and currently applicable laws and regulations.



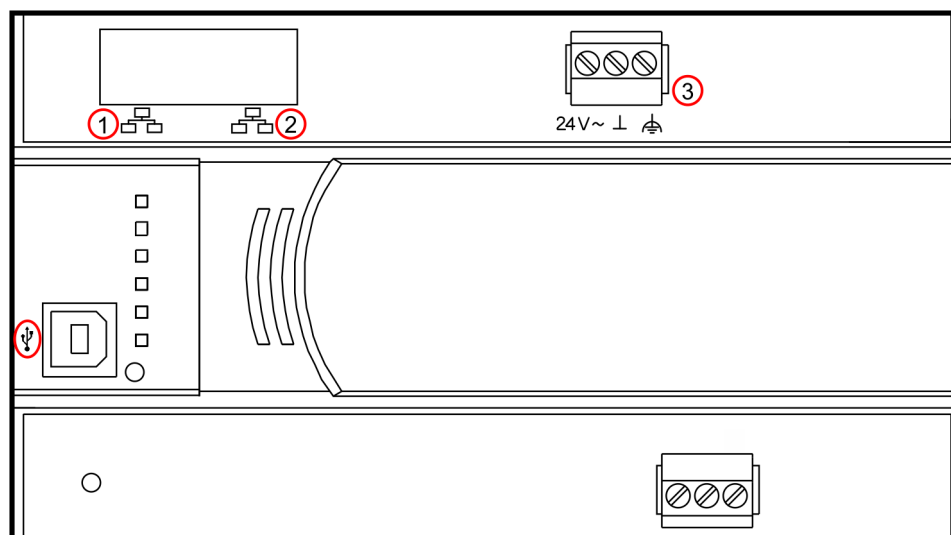
Technical data

Power supply	Operating voltage (24V \approx , \perp , ⏏)	AC 24 V \pm 20% (SELV) or AC 24 V class 2 (US)
	Frequency Half-wave load	48...63 Hz Symmetric
Power consumption	(⏏ = Technical ground)	DC 24 V \pm 20 %
	At AC 24 V At DC 24 V Internal fusing External supply line protection (EU)	Max. 9 VA Max. 4 W With PTC Fuse slow max. 10 A or Circuit breaker max. 13 A Characteristic B, C, D according to EN 60898 or Power source with current limitation of max. 10 A
Hardware information	Processor Memory	Atmel ARM9 256 MB flash, 64 MB SDRAM
Response to power / communication failure	Energy reserve (Supercap) to support real-time clock (3 days). Data available only if stored to flash memory.	
Ethernet interfaces	Plug Interface type Bit rate Protocol	2 x RJ45, screened 100BaseTX, IEEE 802.3 compatible 10/100 Mbps, autosensing BACnet over UDP/IP, and HTTP or HTTPS over TCP/IP
USB interface	Plug Data rate (USB 1.0 full speed) Galvanic isolation of \perp Protective switch against surges and over current	Type B (USB device) 12 Mbps No Yes
Connection terminals, plug-in	Type Cu wire or Cu strand with wire end sleeve Cu strand without wire end sleeve Screwdriver Max. tightening torque	Pluggable screw terminals 1 x 0.6 mm dia. to 2.5mm ² or 2 x 0.6 mm dia. to 1.0 mm ² 1 x 0.6 mm dia. to 2.5 mm ² or 2 x 0.6 mm dia. to 1.5 mm ² Slot screws Screwdriver, size 1 <i>with shaft dia. \leq 4.5 mm</i> 0.6 Nm
Assignment as per EN 60730	Operation of automatic controller Degree of pollution Design type	Type 1 2 Protection class III
Housing protection class	Protection class as per EN 60529 Front parts in the DIN section Terminal part	IP30 IP20

Ambient conditions	Operation	As per IEC 60721-3-3
	Climatic conditions	Class 3K5
	Temperature	-5 ... 50 °C
	Humidity	5 ... 95 % r.h.
	Mechanical conditions	Class 3M2
	Transport	As per IEC 60721-3-2
	Climatic conditions	Class 2K3
	Temperature	-25...70 °C
	Humidity	5 ... 95 % r.h.
	Mechanical conditions	Class 2M2
Standards, directives and approvals	Product safety	
	Automatic electrical controls devices for household and similar use	EN 60730-1
	Electromagnetic compatibility	
	Immunity (industry & residential)	
	Emissions (residential)	
	CE conformity *	
RCM conformity (EMC) *		
UL approbation	UL916	
Environmental compatibility	Product environmental declaration (contains data on RoHS compliance, materials composition, packaging, environmental benefit, disposal)	CM1E9294 *)
Color	Housing	RAL 7035 (light-gray)
Dimensions	Housing as per DIN 43880, see dimensions	
Weight	With / without packaging	286g / 332g

*) The documents can be downloaded from <http://siemens.com/bt/download>.

Connection terminals and interfaces

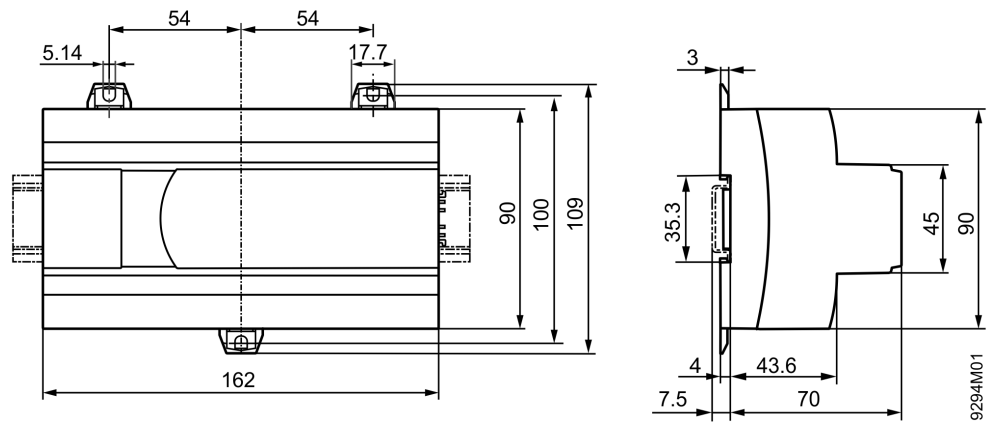


Connection terminals

1, 2		2 x RJ45 interface for Ethernet
3		Operating voltage AC / DC 24 V
	USB	USB tool interface

Dimensions

All dimensions in mm



Published by:
Siemens Switzerland Ltd.
Building Technologies Division
International Headquarters
Gubelstrasse 22
6301 Zug
Switzerland
Tel. +41 41-724 24 24
www.siemens.com/buildingtechnologies

© Siemens Switzerland Ltd 2013
Delivery and technical specifications subject to change