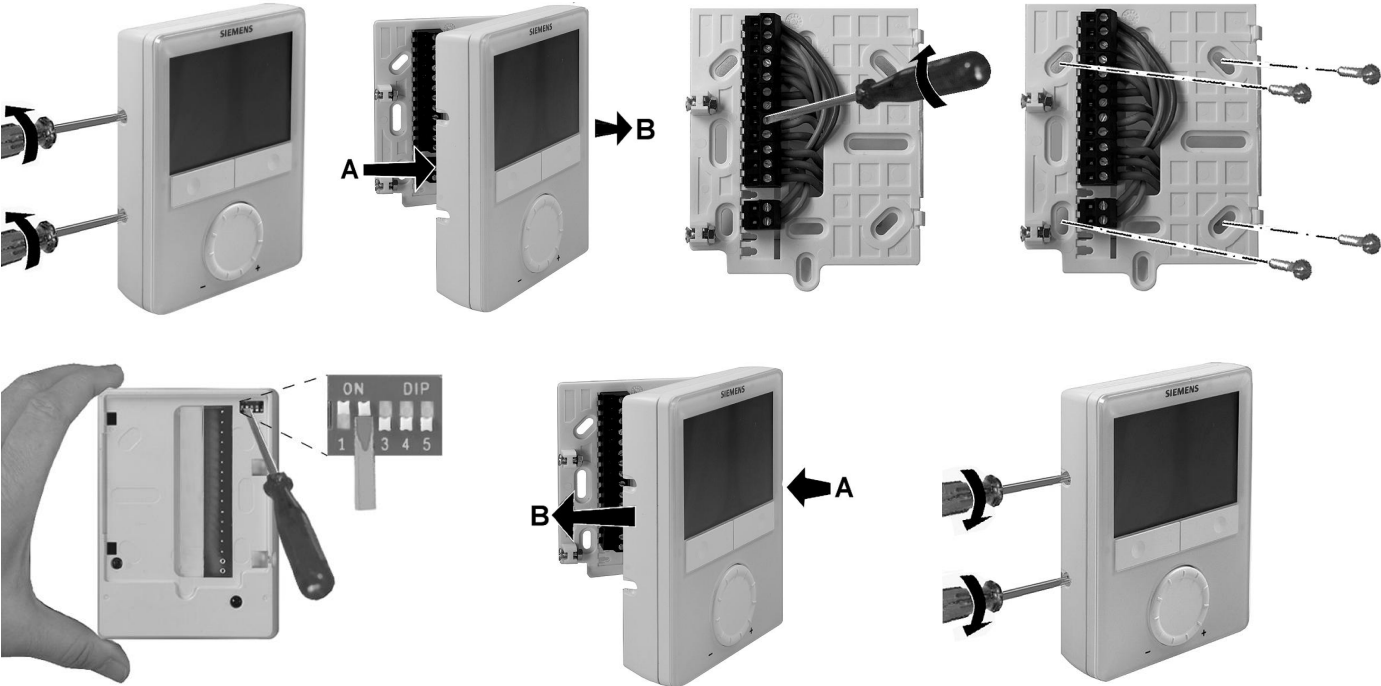
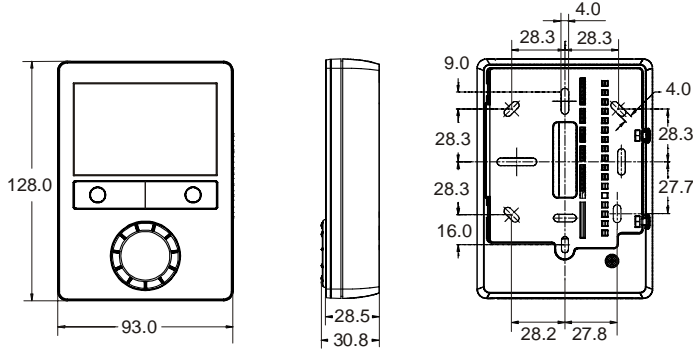
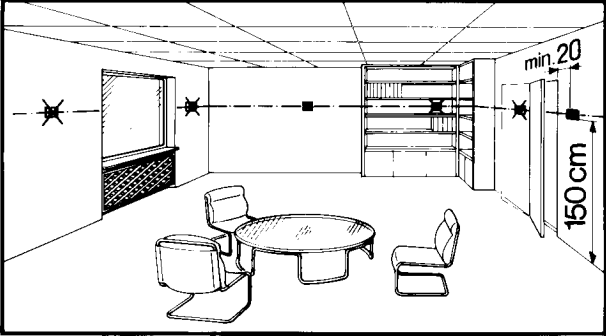


RDG160KN RDG165KN



	RDG160KN	RDG165KN

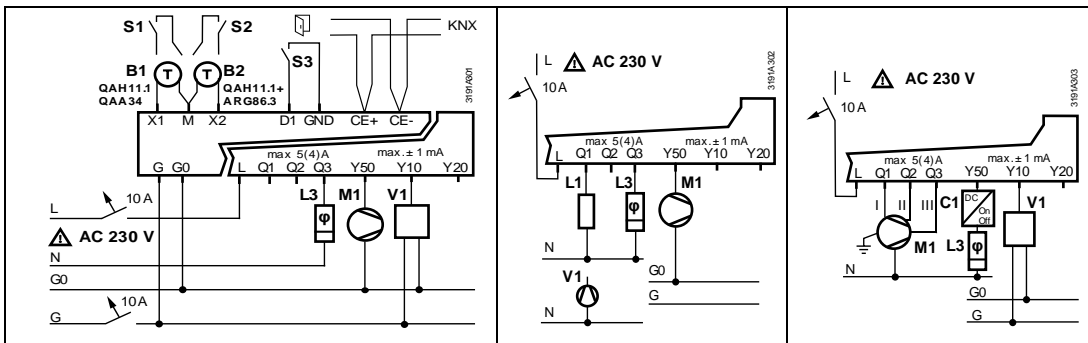
3191206
max. 1 x 2.5 mm²
max. 2 x 1.5 mm²

max. 80 m

- X1 M P38=1
- X2 M P40=0
- D1 M P42=3
- P3191

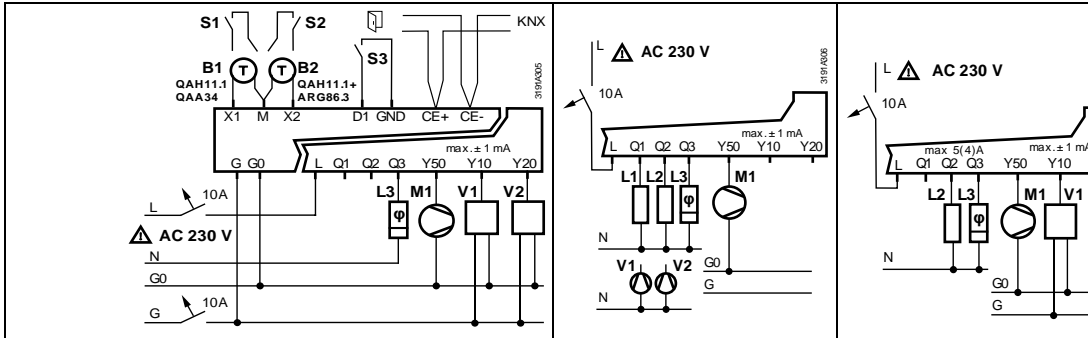
3 911 7201

	en	de	fr	it	es	nl	tr
M1	Fan	Ventilator	Ventilateur	Ventilatore	Ventilador	Fan	Fan
V1, V2	Valves, radiator	Antrieb, Heizkörper	Vannes , radiateur	Valvole , radiatori	Válvulas , radiador	Kleppen , radiator	Vanalar , radyatör
E	Electric heater	Elektroheizung	Batterie électrique	Batteria elettrica	Batería eléctrica	Elek. Verwamer	Elektrikli ısıtıcı
L3 RDG165KN	Dehumidifier	Entfeuchter	Déshumidificateur	Deumidificatore	Deshumidificadores	Luchtontvochtiger	Nem Alıcı
C1 RDG165KN	Converter DC 0..10 V → On/Off	Konverter DC 0..10 V → On/Off	Convertisseur DC 0..10 V → On/Off	Convertitore DC 0..10 V → On/Off	Convertidor DC 0..10 V → On/Off	Omvormer DC 0..10 V → On/Off	Dönüştürücü DC 0..10 V → On/Off

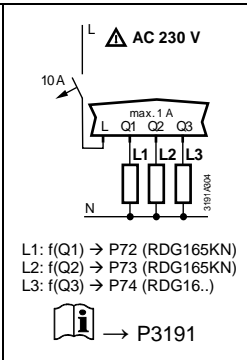
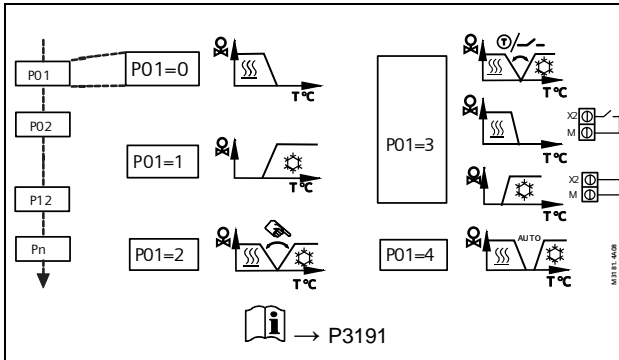


- i**
- 1) ① ... ⑤
 - 2) **a** Output → AC 230 V, On/Off or DC 0...10 V
 - 3)
 - 4)
 - 5) G, G0 AC 24 V → P01...Pn
 P46 = 1 → V1 On/Off
 P46 = 2 → V1 DC
 P47 = 1 → V2 On/Off
 P47 = 2 → V2 DC

a Outputs	DC DC	On/Off DC	3-speed DC
① 2-pipe	V1 Y10	Q1 Q3	Y10
	L3 Q3	Q3	Y50 + [DC → On/Off]



a Outputs	DC DC DC	On/Off On/Off DC	On/Off DC DC	3-speed DC DC
② 2-pipe & el. heater	V1 Y10	Q1 Q2	Y10	Y10
③ 2-pipe & radiator	V2 Y20	Q2 Q3	Y20	Y20
④ 4-pipe	L3 Q3	Q3	Q3	Y50 + [DC → On/Off]
⑤ 2-stage				



KNX programming mode

ON OFF 1 2 3 4 5

min. 6 s

① ... ⑤

ACS Tool → **KNX Bus**

P01...Pn

- 1) www.siemens.com/HIT (HIT start center)
- 2) "RDG"
- 3) (doc)

	en	de	fr	it	es	nl	tr
①	2-pipe fan coil	2-Rohr Ventilator-konvektor	Ventiloconvecteur 2 tubes	Fan coil 2 tubi	Fancoil a dos tubos	2-pijps fan coil	2 borulu fan coil
②	2-pipe & el. heater	2-Rohranwendung & Elektroheizung	Application 2 tubes & batterie électrique	Fan coil 2 tubi con batteria elettrica	2 tubos & batería eléctrica	2-pijps + elektrische verwarmers	2 borulu & elk. Isıtıcı
③	2-pipe & radiator	2-Rohranwendung & Radiator	Application 2 tubes & radiateur	Fan coil 2 tubi e radiatore	2 tubos & radiador	2-pijps + radiator	2 borulu & radyatör
④	4-pipe fan coil	4-Rohr Ventilator-konvektor	Ventiloconvecteur 4 tubes	Fan coil 4 tubi	Fancoil a 4 tubos	4-pijps fan coil	4 borulu fan coil
⑤	2-stage	2-Stufen-Anwendung	Application à 2 étages	2 stadi	2 etapas	2-traps	2 kademe