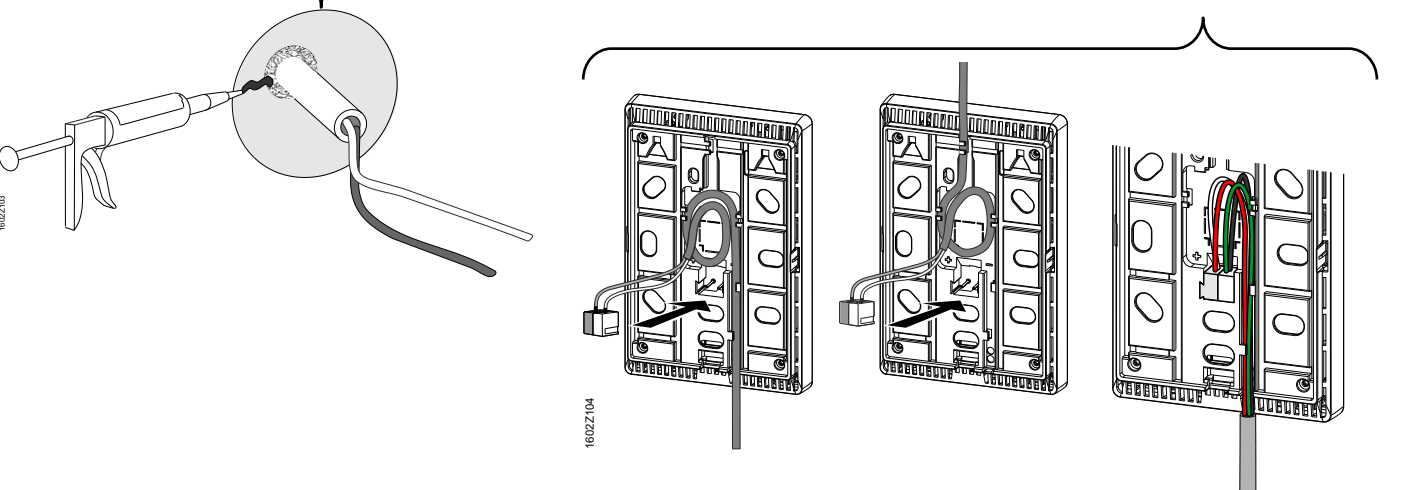
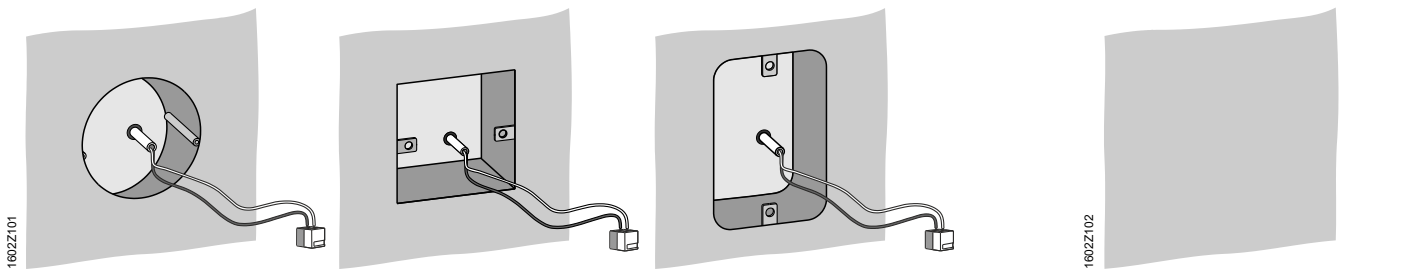
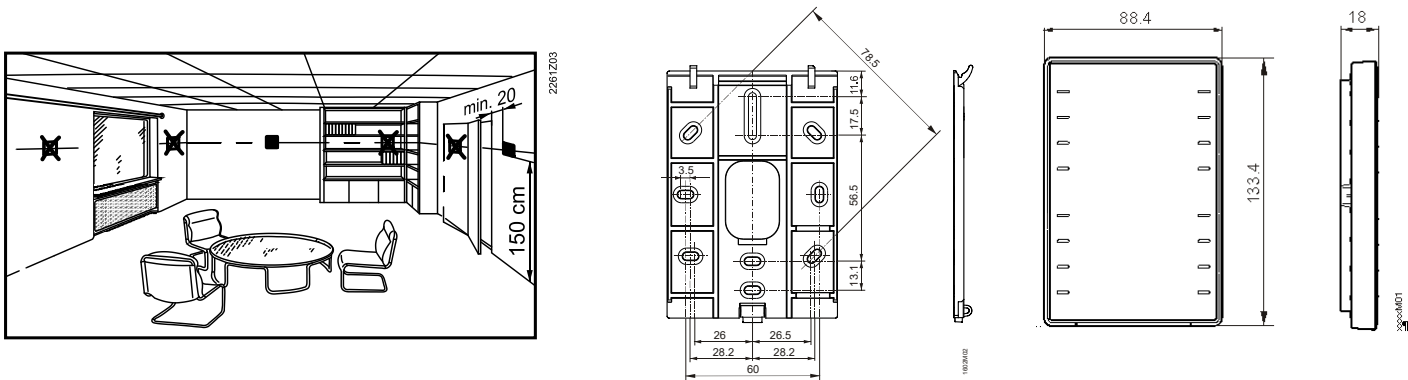
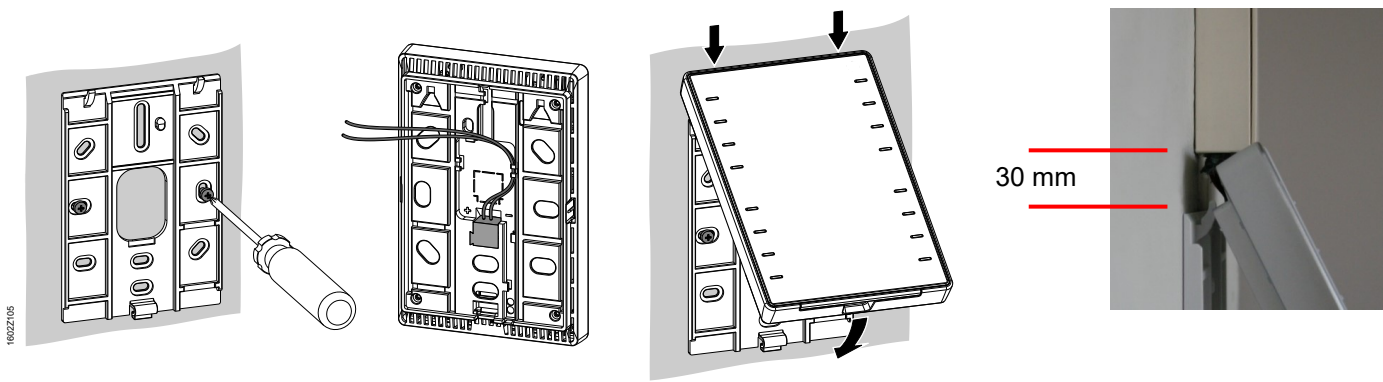




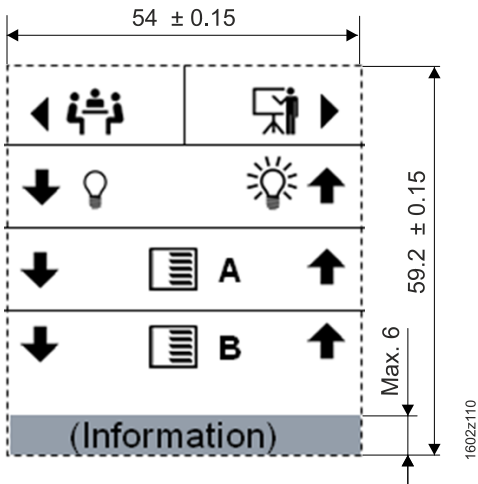
QMX3.P02
QMX3.P30
QMX3.P34
QMX3.P37
QMX3.P40
QMX3.P44
QMX3.P70
QMX3.P74
QMX3.P87

QMX3. P37 P34/44/74 P02 P70 P30/P40 P87

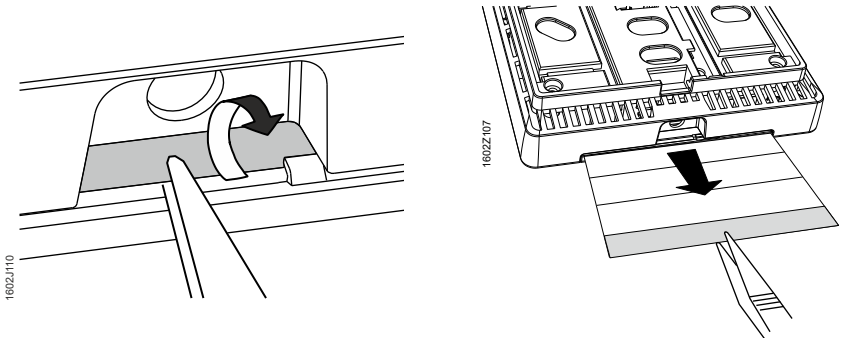
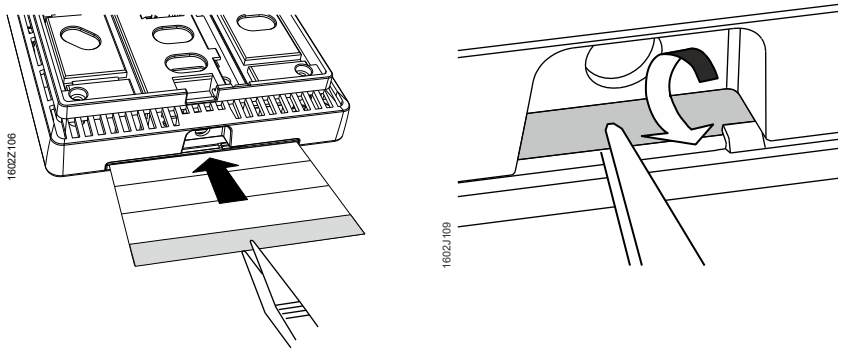




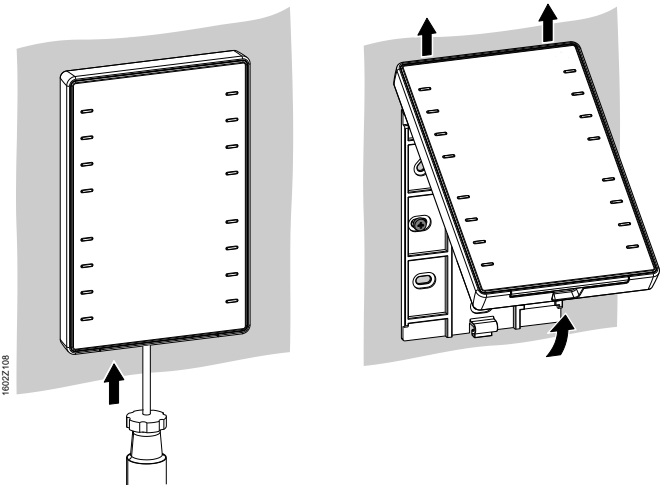
QMX3.P02, QMX3.P37



Inlay template: see CM2M1602.1
<http://siemens.com/bt/download>



Service



Issued by
 Siemens Switzerland Ltd
 Smart Infrastructure
 Global Headquarters
 Theilerstrasse 1a
 CH-6300 Zug
 Tel. +41 58 724 2424
www.siemens.com/buildingtechnologies

© Siemens Switzerland Ltd, 2013
 Technical specifications and availability subject to change without notice.

Contact for regulatory topics:
 (EU) Siemens AG, Berliner Ring 23, DE-76437 Rastatt
 (GB) Siemens plc, Sir William Siemens House, Princess Road, Manchester, M20 2UR