



Presentation example PME7...

Presentation example LME7...

PME73.812... Program module for burner control LME73.000

User Documentation

Application:

- 1-stage or modulating, direct or pilot ignited forced draft burners
- Integrated actuator control via 3-position controller or analog signal (feedback potentiometer in the actuator required)
- Integrated valve proving (can be parameterized)
- Actuator without CLOSED position, independent ignition load above low-fire position
- Response time in case of loss of flame 3 seconds (1 second / 3 seconds adjustable)
- E.g. for burners to EN 676 or industrial thermo process plants to EN 746 part 2

The PME7... and this User Documentation are intended for use by OEMs which integrate the LME7... with PME7... in their products.



Note!

This documentation is only valid together with LME7... Basic Documentation (P7105)!

Contents

1	Supplementary documentation	3
2	Warning notes	4
3	Typographical conventions	4
4	Program sequence PME73.812.....	5
5	List of phase display	6
6	Fuel trains (examples)	7
6.1	Gas direct ignition (G), 1-stage	7
6.2	Gas pilot ignition 1 (Gp1/1), 1-stage	7
7	Input POC	8
8	Input gas pressure switch-min	8
9	Shutdown sequence (parameter 212)	8
10	Connection diagram for LME72.000... with actuator SQM4... ..	9
11	Time table and settings	10
12	Inputs and outputs / internal connection diagram	12
13	Parameter list (AZL2...).....	13
14	Error code list.....	16
15	Legend	17
16	List of figures	18

1 Supplementary documentation

Product type	Type of documentation	Documentation number
LME...	Environmental Product Declaration	E7105
PME...	Environmental Product Declaration	E7105.1
LME7...	Data Sheet	N7105
LME...	Product Range Overview	Q7010
LME7	Basic Documentation	P7105

2 Warning notes



Warning!

The safety, warning and technical notes given in the Basic Documentation on the LME7... (P7105) apply fully to the present document also!

To avoid injury to persons, damage to property or the environment, the following warning notes must be observed!

The LME7... are safety devices! Do not open, interfere with or modify the unit. Siemens does not assume responsibility for damage resulting from unauthorized interference!

3 Typographical conventions

Safety notes

This User Documentation contains notes which must be observed to ensure your personal safety and to protect the product and the connected equipment. The instructions and notes are highlighted by warning triangles or a hand symbol and are presented as follows, depending on the hazard level:



Warning

means that death, severe personal injury or substantial damage to property **can** occur if adequate precautionary measures are not taken



Note

draws your attention to **important information** on the product, on product handling, or to a special part of the documentation

Qualified personnel

Only **qualified staff** are allowed to install and operate the equipment. Qualified staff in the context of the safety-related notes contained in this document are persons who are authorized to commission, ground and tag devices, systems and electrical circuits in compliance with established safety practices and standards.

Correct use

Note the following:

The device may only be used on the applications described in the technical documentation and only in connection with devices or components from other suppliers that have been approved or recommended by Siemens.

The product can only function correctly and safely if shipped, stored, set up and installed correctly, and operated and maintained as specified.

4 Program sequence PME73.812...

→ For fuel trains G and Gp1/1 without valve proving



Caution!

Factory setting:

Parameter 254 → Response time in case of loss of flame 3 seconds!

For a response time about 1 second, the parameter 254 must be changed.

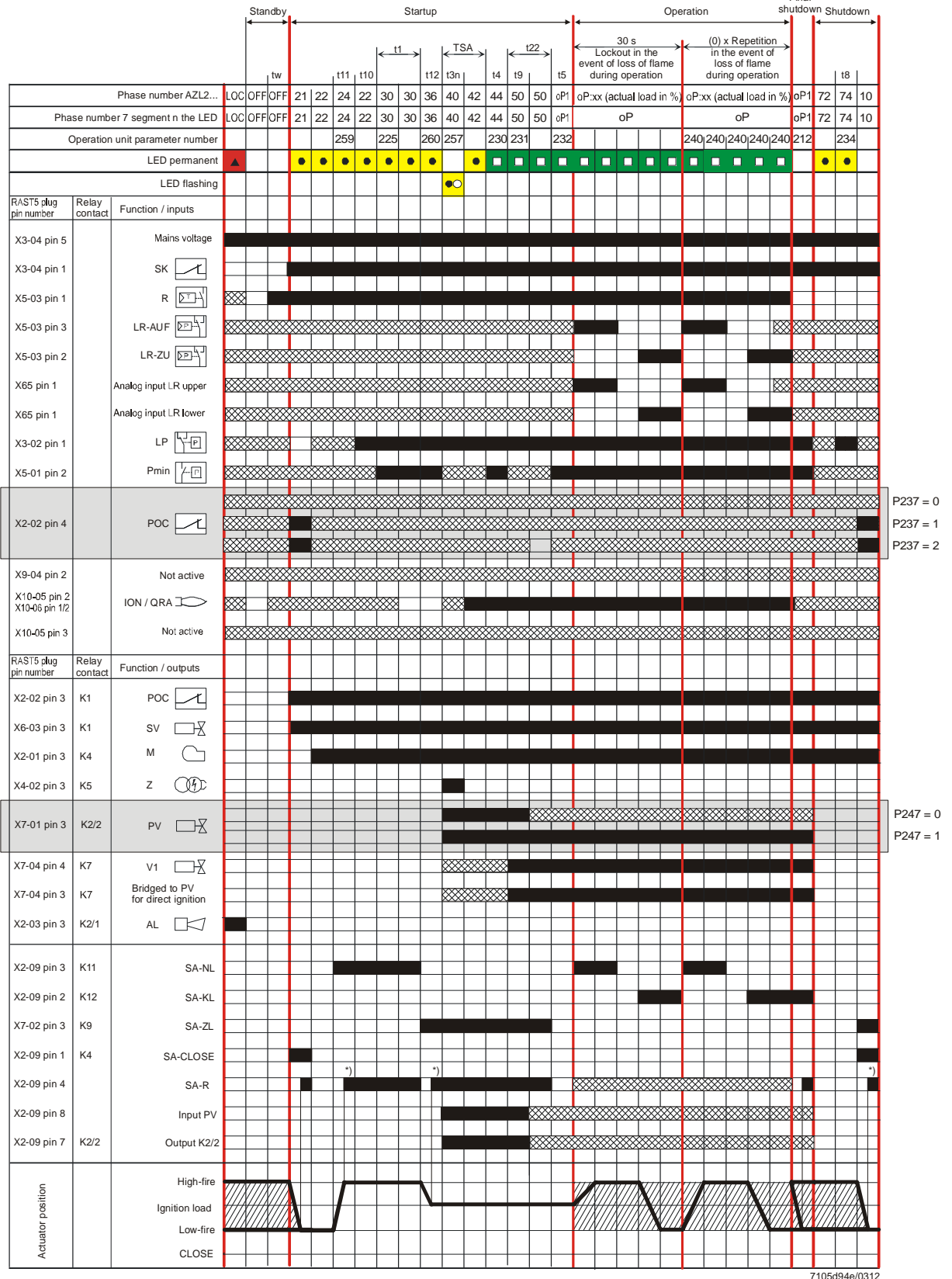


Figure 1: Program sequence

*) During the actuator's running phases, the actuator's feedback signal must first be OFF, then ON

5 List of phase display

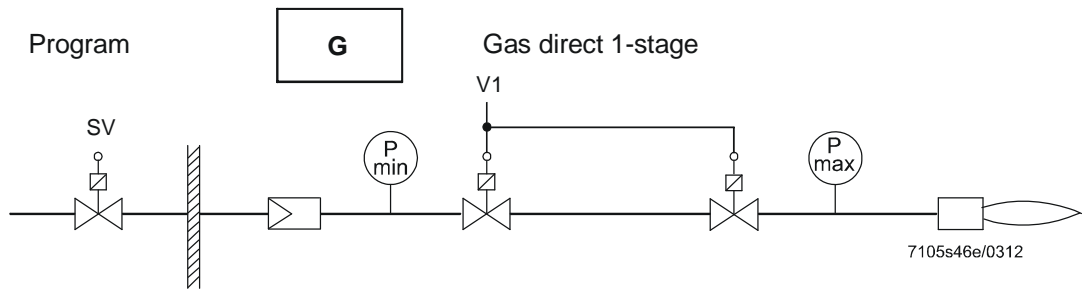
Phase number of display		LED	Function
7-segment	AZL2...		
LOC	LOC	OFF	Lockout phase
Standby			
OFF	OFF	OFF	Standby, waiting for heat request
P08	Ph08	OFF	Power ON/test phase (e.g. detector test)
Startup			
P21	Ph21	Yellow	Safety valve ON, air pressure switch in no-load position Test if POC closed (timeout/lockout after 5 seconds) Actuator travels in CLOSED position (timeout)
P22	Ph22	Yellow	Part 1: Fan motor ON Part 2: Specified time air pressure switch Message (timeout), stabilization air pressure switch
P24	Ph24	Yellow	Actuator travels in prepurge position (timeout)
P30	Ph30	Yellow	Part 1: Prepurge time without extraneous light test Part 2: Prepurging with extraneous light test (2.1 seconds)
P36	Ph36	Yellow	Actuator travels in ignition load position (timeout)
P40	Ph40	Yellow flashing	Postignition time
P42	Ph42	Green	Flame detection
P44	Ph44	Green	Interval: End of safety time and fuel valve 1 ON
P50	Ph50	Green	Part 1: Interval: Fuel valve 1 or fuel valve 2 ON and pilot valve OFF Part 2: Flame-out response time
Operation			
xx	oP:xx	Green	Operation (modulation), display of actual load in percent (%)
oP1	oP:P1	Green	Part 1: Interval until load controller release Part 2: Shutdown: Actuator closes by traveling for the running time (parameter 212) toward the low-fire position
Shutdown			
P10	Ph10	OFF	Home run
P72	Ph72	Yellow	Shutdown
P74	Ph74	Yellow	Postpurge time
Safety shutdown phases			
P01	Ph01	Yellow / red	Under voltage / over voltage
P02	Ph02	Yellow	Safety shutdown (e.g. open safety loop) → lockout
P04	Ph04	Green / red	Extraneous light in standby
P90	Ph90	Yellow	Gas pressure switch-min open → lockout

6 Fuel trains (examples)

6.1 Gas direct ignition (G), 1-stage

LME73.000...

X7-01			X7-04			
1	2	3	1	2	3	4
PE	N	L	PE	N	L	L
Dbr2			V1			



LME73.000...

X2-09

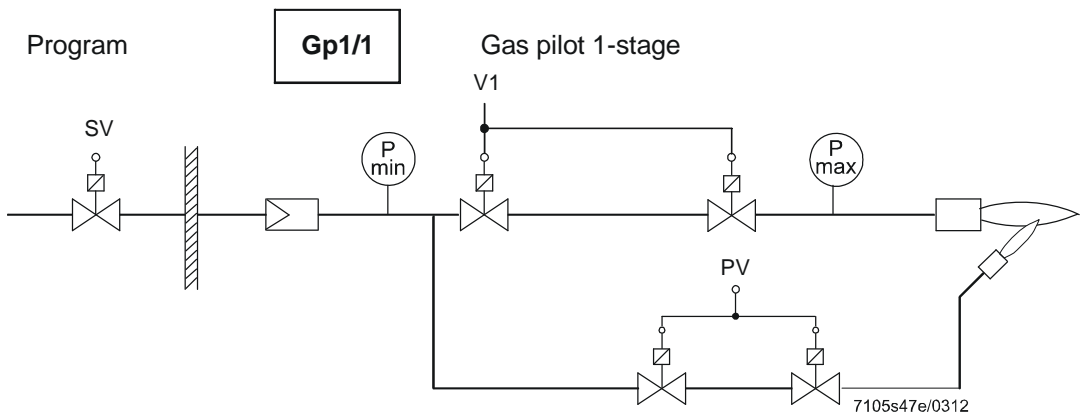
1	2	3	4	5	6	7	8
SA-CLOSE	SA-KL	SA-NL	SA-R	PE	N	Output K2/2	Input PV
Dbr3							

Figure 2: Fuel train gas direct ignition (G), 1-stage

6.2 Gas pilot ignition 1 (Gp1/1), 1-stage

LME73.000...

X7-01			X7-04			
1	2	3	1	2	3	4
PE	N	L	PE	N	L	L
PV			V1			



LME73.000...

X2-09

1	2	3	4	5	6	7	8
SA-CLOSE	SA-KL	SA-NL	SA-R	PE	N	Output K2/2	Input PV
Dbr3							

Figure 3: Fuel train gas pilot ignition 1 (Gp1/1), 1-stage

7 Input POC

Behavior POC input
(terminal X2-02 pin 3 and
pin 4)

Parameter 237 defines if and how the POC is tested.

No.	Parameter
237	POC function 0: Inactive → Input does not need to be connected 1: Active (test during startup and shutdown (not safety relevant)) → POC is checked for closed during startup and shutdown. This means that the POC can be replaced with a wire link. 2: Active (test during startup and shutdown, as well as when switching to operating mode (safety relevant)) → POC is checked for closed during startup and shutdown and checked for open when switching to operating mode. This means that a signal change must take place by switching the POC.

An incorrect signal from the POC (parameter 237 > 0) is detected in the relevant phases. An error-induced lockout takes place (error code Loc; 14). Factory setting of parameter 237: 1. This means the POC is active and can be replaced with a wire link.

Access level: SO

8 Input gas pressure switch-min

Behavior when gas pressure
switch-min opens
(terminal X5-01 pin 2 and
pin 3)

If the minimum gas pressure is not reached (opening of the gas pressure switch-min), the burner control moves to fault position (fault code Loc: 20). If the gas pressure switch-min is closed again following reset, the burner control carries out a restart (if the heat request is still in place). If the gas pressure switch-min is still open following reset, the burner control is locked again.

The minimum gas pressure is tested after the prepurge time, in the interval time and during operation. The gas pressure switch-min is not evaluated during the first and second safety time.

9 Shutdown sequence (parameter 212)

If the heat request at terminal X5-03 pin 1 is deactivated, the actuator closes by traveling toward the low-fire position for the parameterized running time (parameter 212). At the end of the running time (parameter 212) or when the actuator reaches the low-fire position, the closing action and burner operation are ended. The burner is shut down in the actuator position reached.

Upon shutdown, postpurging and/or valve proving take place, depending on the parameter settings made. If parameter 212 = 0, the burner is shut down in the actuator's last running position before the heat request is deactivated.

10 Connection diagram for LME73.000... with actuator SQM4...

Note:
The connection diagram shown is merely an example which must be verified in the individual case depending on the application!

PME73.812... 1-stage modulating
With/without pilot ignition
Separate ignition load position

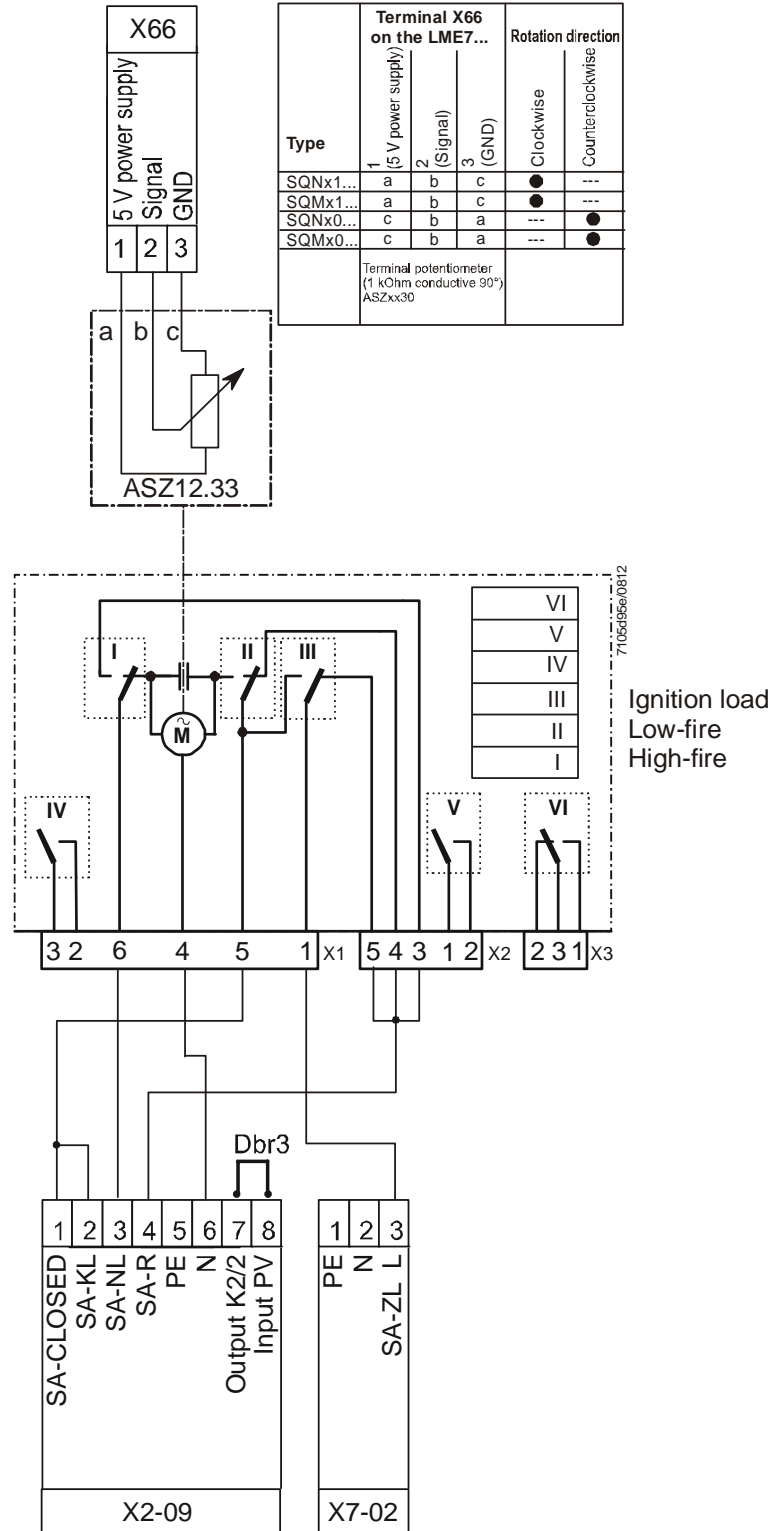


Figure 4: Connection diagram for LME73.000... with actuator SQM4...

11 Time table and settings

Type	Times in seconds													
	tw	TSA max.	t1 P225 min.	t3n P257 approx.	t4 P230 min.	t5 P232 min.	t8 P234 min.	t9 P231 approx.	t10 approx.	t11 P259 approx.	t12 P260 approx.	t22	2)	3)
Requirements	2.5	5	30	4.4	3	2	15	10	15	60	60	---	---	---
Factory setting	---	t3n+0.45	29.106+2.1	4.116+0.3	3.234	2.058	19.404	9.996	15	58.212	58.212	t9+P254(1/3)	---	---
Max.	2.5	14	1237+2.1	13.23+0.3	74.97	74.97	1237	74.97	---	1237	1237	---	0.45	0.45
Min.	---	---	0+2.1	0+0.3	3.234	2.058	0	0	---	0	0	---	0.3	---
Step size	---	---	4.851	0.147	0.294	0.294	4.851	0.294	---	4.851	4.851	---	---	---

Function parameter	Parameter number	Factory setting
Reaction time flame error or air pressure switch error 0: 1 second 1: 3 seconds	254	1 ¹⁾
Repetition in the event of lost of flame during operation 0: None 1: None 2: 1 x repetition	240	0
Intermittent operation after 24 hours of continuous operation 0: OFF 1: ON	239	0
Continuous pilot (during operation) 0 = OFF 1 = ON	247	0
POC function 0: Inactive 1: Active (test during startup and shutdown (not safety relevant)) 2: Active (test during startup and shutdown, as well as when switching to operating mode (safety relevant))	237	1
Actuator running time to low-fire position in the event of shutdown	212	58,212 seconds



- 1) **Caution!**
Factory setting:
Parameter 254 → Response time in case of loss of flame 3 seconds!
For a response time about 1 second, the parameter 254 must be changed.

Legend

tw	Waiting time
TSA	Safety time
t1	Prepurge time
t3n	Postignition time parameter 257 +0.3 seconds
t4	Interval: End of safety time – fuel valve 1 2 ON
t5	Interval: Pilot valve OFF – load controller release
t8	Postpurge time
t9	Interval: Fuel valve 1 ON and pilot valve OFF
t10	Specified time air pressure switch message (timeout)
t11	Opening time of actuator (timeout)
t12	Closing time of actuator (timeout)
t22	2 nd safety time

- 1) Reaction time to a change of signal by the air pressure switch contact (opens) and flame-out response time in the event of loss of flame
- 2) Response time to a change of signal by the inputs (e.g. pressure switch-min)
- 3) Flame detection time

12 Inputs and outputs / internal connection diagram

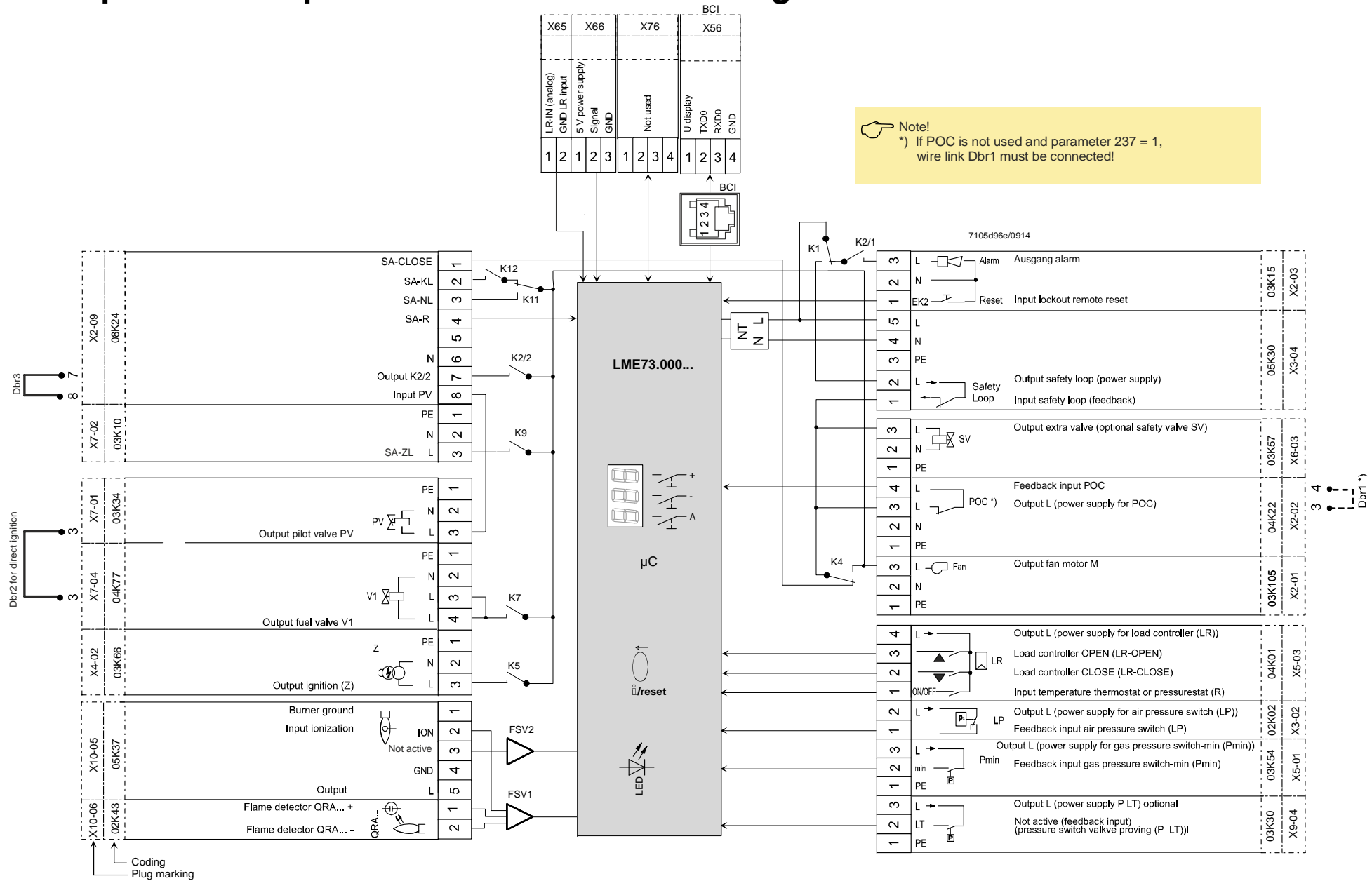


Figure 5: Inputs and outputs / internal connection diagram

13 Parameter list (AZL2...)

Parameter number	Parameter	Edit	Value range		Resolution	Factory setting	Password level reading from level	Password level writing from level
			Min.	Max.				
000	Internal parameter							
41	Heating engineer's password (4 characters)	Edit	xxxx	xxxx	---	---	---	OEM
42	OEM's password (5 characters)	Edit	xxxxx	xxxxx	---	---	---	OEM
60	Backup/restore	Edit	Restore	Backup	---	---	---	SO
100	General							
102	Identification date	Read only	---	---	---	---	Info	---
103	Identification number	Read only	0	9999	1	0	Info	---
113	Burner identification	Edit	x	xxxxxxxx	1	-----	Info	OEM via ACS410
123	Min. power control step	Edit	1%	10%	0,1	2	SO	SO
140	Mode display of display and operating unit AZL2... 1 = standard (program phase) 2 = flame 1 (QRA.../ION) 3 = flame 2 (QRB.../QRC...) ⇒ not used 4 = active power (power value)	Edit	1	4	1	1	SO	SO
164	Number of startups resettable	Resettable	0	999999	1	0	Info	Info
166	Total number of startups	Read only	0	999999	1	0	Info	---
170.00	Switching cycles relay contact K12	Read only	0	999999	1	0	Info	---
170.01	Switching cycles relay contact K11	Read only	0	999999	1	0	Info	---
170.02	Switching cycles relay contact K2	Read only	0	999999	1	0	Info	---
170.03	Switching cycles relay contact K1	Read only	0	999999	1	0	Info	---
171	Max. switching cycles relay	Read only	0	999999	1	0	Info	---





Parameter number	Parameter	Edit	Value range		Resolution	Factory setting	Password level reading from level	Password level writing from level
			Min.	Max.				
200	Burner control							
212	Actuator running time to low-fire position in the event of shutdown	Edit	0 s	1237 s	4.851 s	58.212 s	SO	SO
225	Prepurge time -2,1 seconds	Edit	0 s	1237 s	4.851 s	29.106 s	SO	OEM
230	Interval: End of safety time - fuel valve 1 ON	Edit	3.234 s	74.97 s	0.294 s	3.234 s	SO	OEM
231	Interval: Fuel valve 1 ON – pilot valve OFF	Edit	0 s	74.97 s	0.294 s	9.996 s	SO	OEM
232	Interval: Pilot valve OFF – load controller release	Edit	2.058 s	74.97 s	0.294 s	2.058 s	SO	OEM
234	Postpurge time	Edit	0 s	1237 s	4.851 s	19.404 s	SO	OEM
237	POC function 0: Inactive 1: Active (test during startup and shutdown (not safety relevant)) 2: Active (test during startup and shutdown, as well as when switching to operating mode (safety relevant))	Edit	0	2	1	1	SO	SO
239	Intermittent operation after 24 hours of continuous operation 0 = OFF 1 = ON	Edit	0	1	1	0	SO	OEM
240	Repetition in the event of loss of flame during operation 0 = none 1 = none 2 = 1 x Repetition	Edit	0	2	1	0	SO	OEM
247	Continuous pilot (during operation) 0 = OFF 1 = ON	Edit	0	1	1	0	SO	OEM
254	Reaction time to loss of flame / fault air pressure switch 0 = 1 s 1 = 3 s	Edit	0	1	1	1	SO	OEM
257	Postignition time -0.3 seconds	Edit	0 s	13.23 s	0.147 s	4.116 s	SO	OEM
259	Opening time of actuator (timeout)	Edit	0 s	1237 s	4.851 s	58.212 s	SO	OEM
260	Closing time of actuator (timeout)	Edit	0 s	1237 s	4.851 s	58.212 s	SO	OEM
600	Power setting							
654	Analog input (feedback potentiometer ASZxx.3x required) 0 = 3-position step input 1 = 0...10 V 2 = 0...135 Ω 3 = 0...20 mA 4 = 4...20 mA with lockout at I <4 mA 5 = 4...20 mA	Edit	0	5	1	1	SO	SO

Parameter number	Parameter	Edit	Value range		Resolution	Factory setting	Password level reading from level	Password level writing from level
			Min.	Max.				
700	Error history							
701	Current error: 00: Error code 01: Startup meter reading 02: HMI phase 03: Power value	Read only	2 0 --- 0%	255 999999 --- 100%	1 1 --- 1	---	Service	---
702	Error history former 1: 00: Error code 01: Startup meter reading 02: HMI phase 03: Power value	Read only	2 0 --- 0%	255 999999 --- 100%	1 1 --- 1	---	Service	---
• • •								
711	Error history former 10: 00: Error code 01: Startup meter reading 02: HMI phase 03: Power value	Read only	2 0 --- 0%	255 999999 --- 100%	1 1 --- 1	---	Service	---
900	Process data							
936	Normalized speed	Read only	0%	100%	0.01%	---	Service	---
951	Mains voltage	Read only	0 V	LME73.000x1...: 175 V LME73.000x2...: 350 V	1 V	---	Service	---
954	Flame intensity	Read only	0%	100%	1%	---	Service	---

14 Error code list

Error code		Clear text	Possible causes
AZL2...	7-Segment		
Loc: 2	Loc 2	No establishment of flame at the end of safety time	<ul style="list-style-type: none"> - Faulty or soiled fuel valves - Faulty or soiled flame detector - Poor adjustment of burner, no fuel - Faulty ignition equipment
Loc: 3	Loc 3	Air pressure faulty (air pressure switch welded in no-load position, decrease to specified time (air pressure switch flame-on response time))	Air pressure switch faulty <ul style="list-style-type: none"> - Loss of air pressure signal after specified time - Air pressure switch has welded in no-load position
Loc: 4	Loc 4	Extraneous light	Extraneous light during burner startup
Loc: 5	Loc 5	Air pressure faulty, air pressure switch welded in working position	Time supervision air pressure switch <ul style="list-style-type: none"> - Air pressure switch has welded in working position
Loc: 6	Loc 6	Fault of actuator	<ul style="list-style-type: none"> - Actuator faulty or blocked - Faulty connection - Wrong adjustment
Loc: 7	Loc 7	Loss of flame	Too many losses of flame during operation (limitation of repetitions) <ul style="list-style-type: none"> - Faulty or soiled fuel valves - Faulty or soiled flame detector - Poor adjustment of burner
Loc: 10	Loc 10	Error not relatable (application), internal error	Wiring error or internal error, output contacts, other faults
Loc: 14	Loc 14	POC error	Error valve closure control POC
Loc: 20	Loc 20	Gas pressure switch-min open	Gas shortage
Loc: 22	Loc 22	Safety loop open	<ul style="list-style-type: none"> - Gas pressure switch-max open - Safety limit thermostat cut out
Loc: 60	Loc 60	Analog power source 4...20 mA, I <4 mA	Wire breakage
Loc: 138	Loc 138	Restore process successful	Restore process successful
Loc: 139	Loc 139	No program module detected	No program module plugged in
Loc: 167	Loc 167	Manual locking	Manual locking
Loc: 206	Loc 206	AZL2... incompatible	Use the latest version
rSt Er1	rSt Er1	Error in compatibility program module to basic unit during restore process	<ul style="list-style-type: none"> - Program sequence of program module does not match the basic unit
rSt Er2	rSt Er2	Error in compatibility program module to basic unit during restore process	<ul style="list-style-type: none"> - Hardware of basic unit does not match the program module
rSt Er3	rSt Er3	Error during restore process	<ul style="list-style-type: none"> - Program module faulty - Program module removed during restore process
bAC Er3	bAC Er3	Fault of compatibility program module to basic unit during backup process	Program sequence of program module does not match the basic unit
Err PrC	Err PrC	Fault of program module	<ul style="list-style-type: none"> - Error in data content of program module - No program module fitted

15 Legend

AL	Alarm device
Dbr...	Wire link
 ↕/reset (EK1)	Lockout reset button (info button)
EK2	Remote lockout reset button
FSV	Flame signal amplifier
ION	Ionization probe
K...	Relay contact
LED	3-color signal lamp
LP	Air pressure switch
LR	Load controller
LR-OPEN	Load controller OPEN position
LR-CLOSED	Load controller CLOSED position
M	Fan motor
NT	Power supply unit
P LT	Pressure switch - valve proving
Pmax	Pressure switch-max
Pmin	Pressure switch-min
POC	Valve closure control (proof of closure)
PV	Pilot valve
QRA...	Flame detector
R	Control thermostat or pressurestat
SA	Actuator
SA-KL	Actuator low-fire
SA-NL	Actuator high-fire
SA-R	Actuator feedback
SA-CLOSED	Actuator CLOSED
SA-ZL	Actuator ignition load
SK	Safety Loop
SV	Safety valve
V1	Fuel valve
Z	Ignition transformer
	Input/output signal 1 (ON)
	Input/output signal 2 (OFF)
	Permissible input signal 1 (ON) or 0 (OFF)

16 List of figures

Figure 1: Program sequence	5
Figure 2: Fuel train gas direct ignition (G), 1-stage.....	7
Figure 3: Fuel train gas pilot ignition 1 (Gp1/1), 1-stage.....	7
Figure 4: Connection diagram for LME73.000... with actuator SQM4... ..	9
Figure 5: Inputs and outputs / internal connection diagram	12