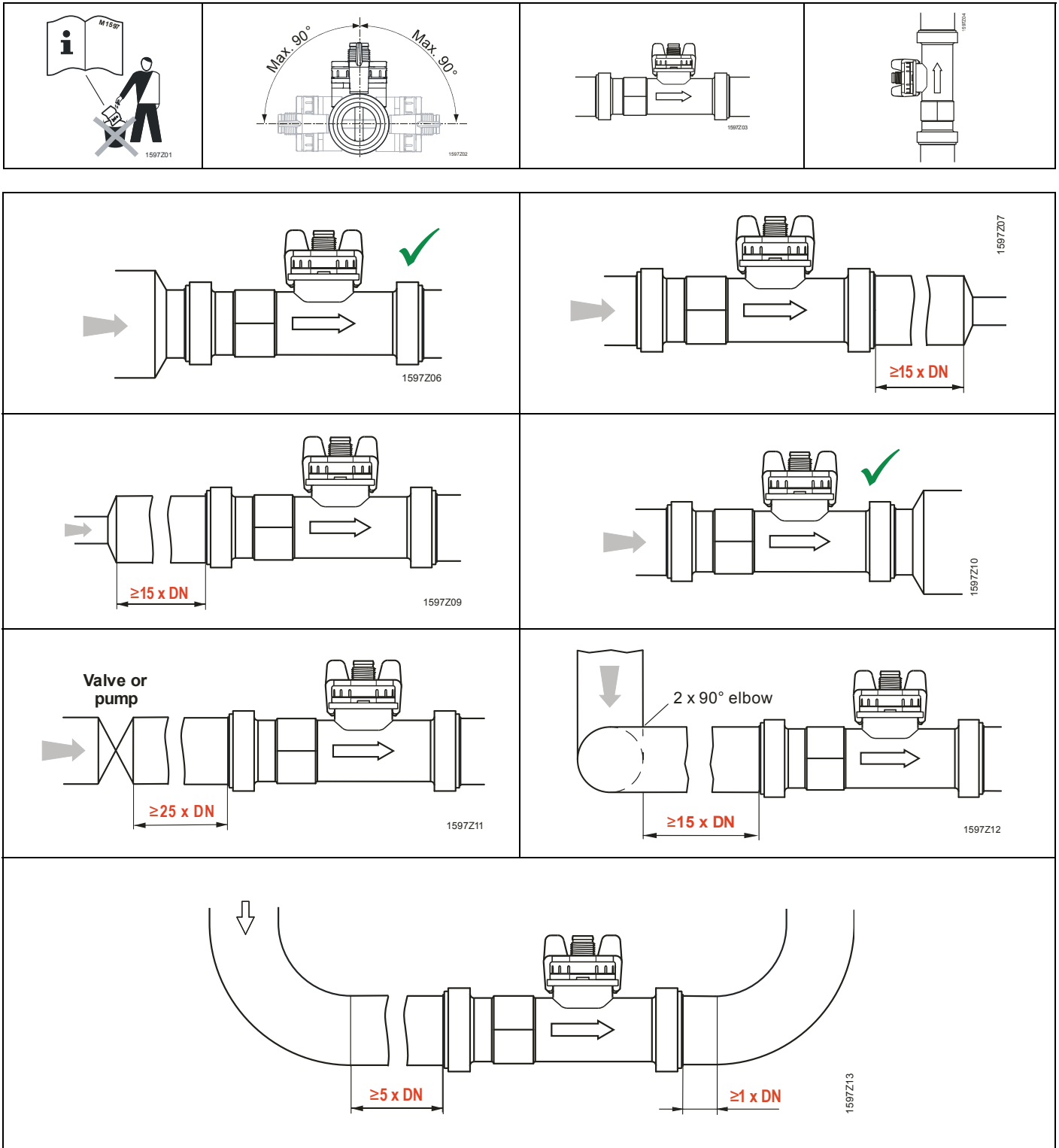


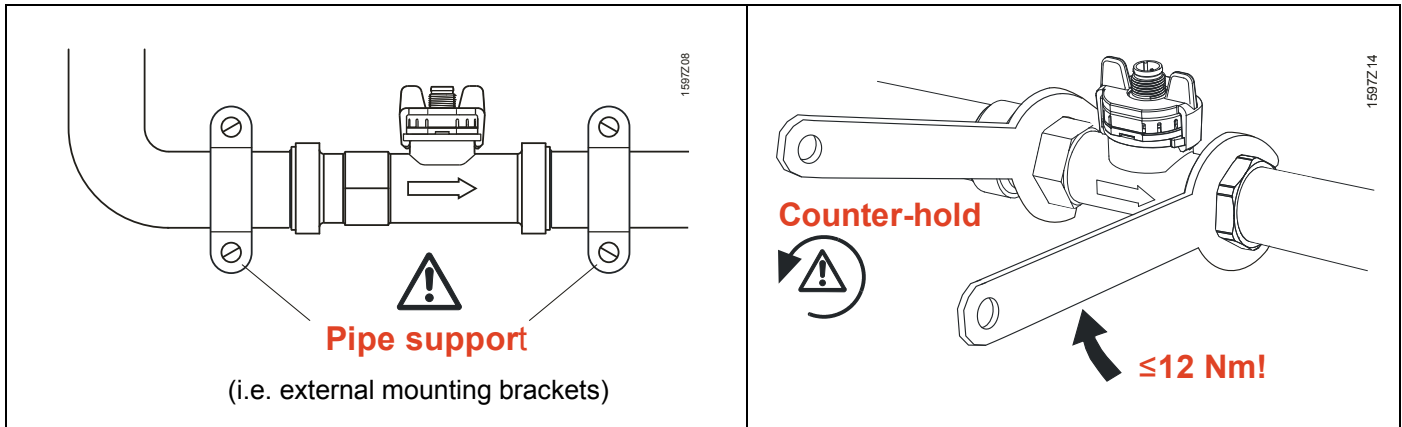
- de** Montageanleitung
- en** Mounting instructions
- fr** Instructions de montage
- sv** Monteringsinstruktion
- nl** Montage-aanwijzing
- it** Istruzioni di montaggio
- fi** Asennusohje
- es** Instrucciones de montaje
- da** Monteringsvejledning

- Durchflusssensor**
- Flow sensor**
- Débitmètre**
- Flödesgivare**
- Flowtransmitter**
- Sensore di flusso**
- Virtausanturi**
- Sensor de flujo**
- Flowføler**

QVE2000.0xx

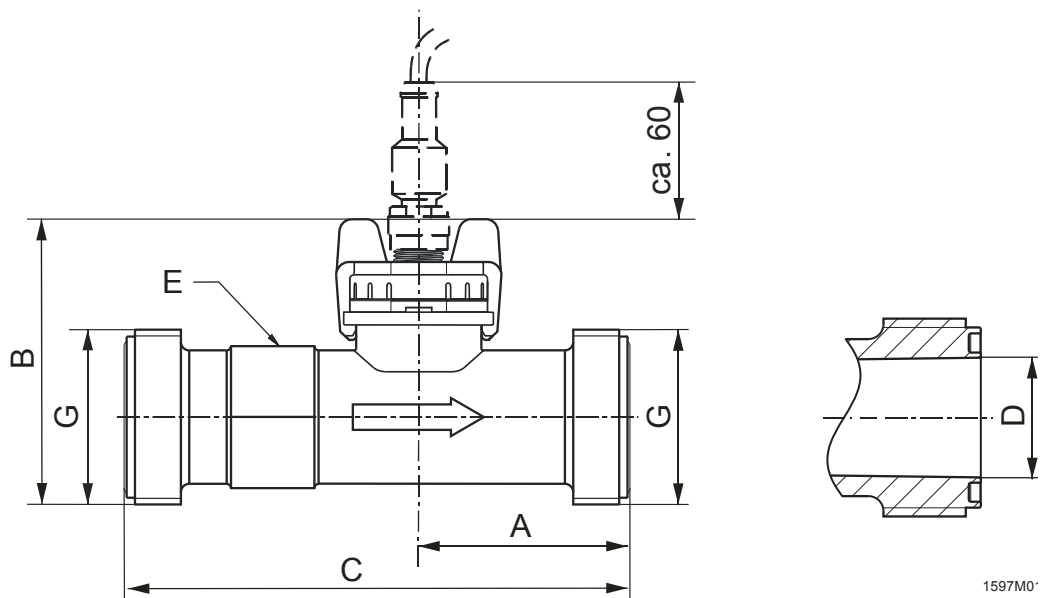
QVE2100.0xx





| QVE2000.0xx | QVE2100.0xx | Color of the connection wires | | | | | | | | |
|-------------|-------------|--|-----|-------|---|-------|---|------|---|-------|
| | | <table border="1"> <thead> <tr> <th>Pin</th> <th>Color</th> </tr> </thead> <tbody> <tr> <td>1</td> <td>brown</td> </tr> <tr> <td>3</td> <td>blue</td> </tr> <tr> <td>4</td> <td>black</td> </tr> </tbody> </table> | Pin | Color | 1 | brown | 3 | blue | 4 | black |
| Pin | Color | | | | | | | | | |
| 1 | brown | | | | | | | | | |
| 3 | blue | | | | | | | | | |
| 4 | black | | | | | | | | | |

Dimensions in mm



| Type (ASN) | Nominal diameter \varnothing | Measuring range [l/min] | A [mm] | B [mm] | C [mm] | D [mm] \varnothing | E [mm] | G [inch] |
|-------------|--------------------------------|-------------------------|--------|--------|--------|----------------------|------------------|------------------|
| QVE2x00.010 | DN 10 | 1.8...32 | 35 | 41 | 81 | 12 | \varnothing 19 | G $\frac{1}{2}$ |
| QVE2x00.015 | DN 15 | 3.5...50 | 36.6 | 43 | 87 | 16 | \varnothing 22 | G $\frac{3}{4}$ |
| QVE2x00.020 | DN 20 | 5.0...85 | 36.6 | 45 | 105 | 20 | \varnothing 27 | G1 |
| QVE2x00.025 | DN 25 | 9.0...150 | 50 | 47 | 120 | 26 | \varnothing 34 | G1 $\frac{1}{4}$ |