

Sinteso™

Interbases

FDSB221, FDSB228, FDSB229



Sounder interbase, sounder beacon interbase, sounder interbase with supplementary optical indication for the automatically addressable detector bus FDnet

- Addressed (FDnet)
- 11 tones to choose from, 2 programmable alarm levels
- Adjustable sound levels up to 83 dBA
- Compatible with all addressable Sinteso point detectors
- Supply and communication via FDnet
- Also included with the FDSB228:
 - 13 tones to choose from, 2 programmable alarm levels
 - Adjustable sound levels up to 91 dBA
 - Meets the requirements of the EN 54-23 standard
 - White LEDs with two adjustable luminous intensities: light/high (Class 'C-3-5') and dark/low (Class 'O-1.5-2.4') in accordance with EN 54-23
- Also included with the FDSB229:
 - Red LEDs with adjustable luminous intensities – 3 programmable levels

Properties

- Supply via FDnet, no auxiliary supply required
- Integrated line separator
- Adjustable sounds and sound levels, sounds synchronized for all alarm devices
- Synchronization of the optical signal for the same alarm device type:
 - All FDSB221/FDSB229 can be synchronized with one another
 - All FDSB228 can be synchronized with one another
- Protected electronics and high-quality components
- Eco-friendly
 - Environmentally friendly processing
 - Reusable materials
 - Electronic parts and synthetic materials can be easily separated
- If a point detector is not used, then the blanking plate FDBZ296 (accessory) can be mounted

Use

- Hotel rooms
- Restrooms
- Offices

Functions

Functions shared by all interbases

The interbases provide an alarm in an addressed fire detection system FS20. They activate an acoustic signal in the event of a fire alarm.

The interbases each have their own device addresses and can be configured independently of a point detector if one is in use.

All point detectors in the series Sinteso™ FD20 can be used in the interbases.

External alarm indicators can even be connected to the point detectors when using the interbases.

Sounder beacon interbase FDSB228

In the event of a fire alarm, the sounder beacon interbase FDSB228 activate both an acoustic and optical alarm signal (with the white LEDs flashing).

Sounder interbase with supplementary optical indication FDSB229

In the event of a fire alarm, the sounder interbase with supplementary optical indication FDSB229 emits both an acoustic and optical alarm signal (with the red LEDs flashing).

Type Overview

Type	Designation	Order number	Weight [kg]
FDSB221	Sounder interbase	S54372-F16-A1	0.195
FDSB228	Sounder beacon interbase	S54372-F17-B1	0.204
FDSB229	Sounder interbase with additional optical indicator	S54372-F17-A1	0.204

Accessories

Type	Designation	Order number	Weight [kg]
FDBZ296	Blanking plate	S54372-B15-A1	0.031
FDBZ291	Designation plate	A5Q00002621	0.002
FDBZ293	Detector locking device	A5Q00005035	0.001
FDBZ297	Detector base seal	S54372-F18-A1	0.020
LP720	Detector locking device	S54319-F9-A1	0.001

Product documentation

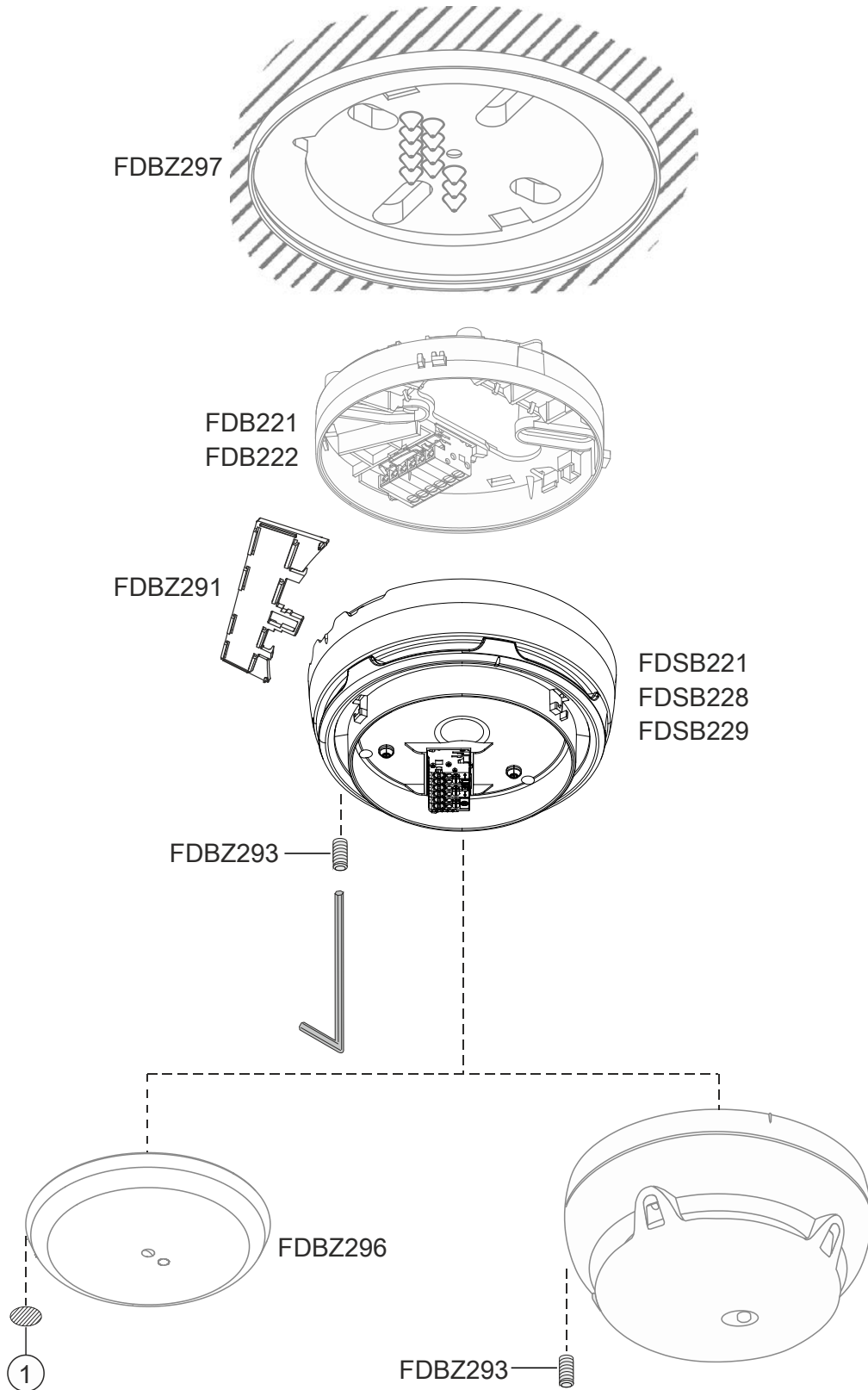
Document ID	Title
008331	List of compatibility (for 'Sinteso™' product line)
008164	Equipment overview Sinteso™ Detector system FD20
A6V10320090	Technical manual Sounder interbase FDSB221, Sounder beacon interbase FDSB228, Sounder interbase with supplementary optical indication FDSB229
007775	Data Sheet Detector bases and accessories FDB22x, FDB20x, FDB241, FDB251, FDB281, FDB299

Related documents such as environmental declarations, CE declarations, etc., can be downloaded at the following Internet address:

<http://siemens.com/bt/download>

Mounting

The interbases FDSB221, FDSB228, and FDSB229 form a single unit together with the point detector and are mounted on a detector base FDB221 or FDB222.



Mounting the interbase and accessories

- 1 Seal label

Disposal



The device is considered an electronics device for disposal in terms of European Directive 2012/19/EU and may not be disposed of as domestic garbage.

- Dispose of the device through channels provided for this purpose.
- Comply with all local and currently applicable laws and regulations.

Technical data

Supply	
Operating voltage	DC 12...33 V
Operating current (quiescent)	Max. 250 μ A
• Sound activated	FDSB221/FDSB229: 3.5 mA
	FDSB228: 3.7 mA (120 mW)
• Optical indicator activated	FDSB228: 3.0/7.4 mA (65/116 mW) (dark/light)
	FDSB229: 1.5/4.0/6.5 mA (dark/medium/light)
• Optical indicator and sound activated	FDSB228: 5.8/10.2 mA (165/220 mW) (dark/light)
	FDSB229: 5.0/7.5/10.5 mA (dark/medium/light)

Functional data	
Sounds	FDSB221/FDSB229: 11 FDSB228: 13 2 alarm levels 2 sound levels (1 alarm sound level, 1 test sound level)
Sound level (alarm sound level)	FDSB221/FDSB229: 77...83 dBA
	FDSB228: 79...91 dBA
Luminous intensity	FDSB228 in accordance with EN 54-23: light/high C-3-5 dark/low O-1.5-2.4 (ceiling mounted, cylindrical cover cap as in Class C)
	FDSB229: 0.9...3.2 cd
Luminous intensity levels	FDSB228: 2 levels (not available with all control panels)
	FDSB229: 3 levels, 2 flashing modes (not available with all control panels)
Communication protocol	FDnet
System compatibility FDnet	FS20
Color	~ RAL9010 pure white / translucent


Line connections	
Connection terminals	0.2...1.5 mm ²


Ambient conditions and protection category


Protection category (IEC 60529) with detector base seal FDBZ297	<ul style="list-style-type: none"> • IP21C (with point detector) • IP21C (with FDBZ296)
Operating temperature	FDSB221/FDSB229: -25...+65 °C FDSB228: -25...+55 °C
Storage temperature	-30...+75 °C
Air humidity	≤95 % rel.

Standards, directives and approvals

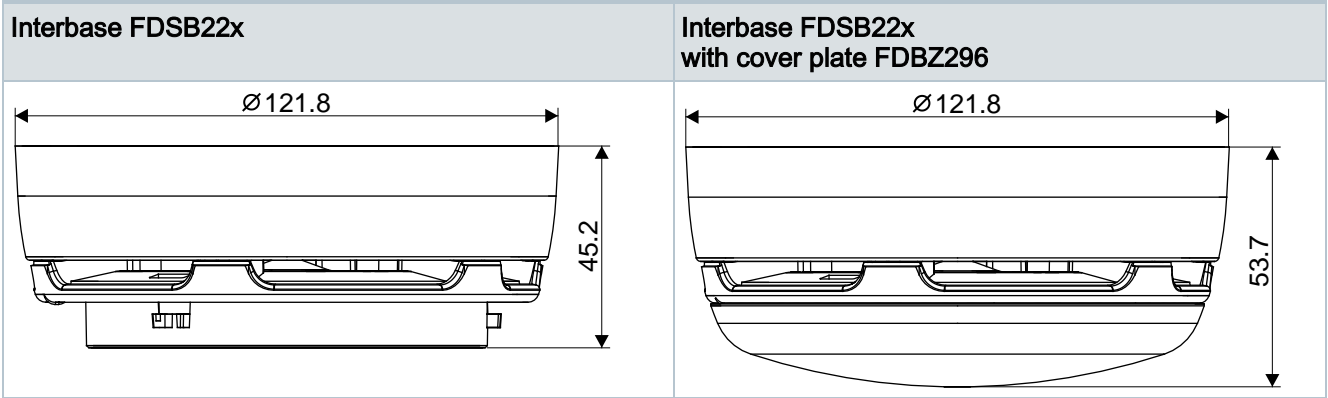
Standards	EN 54-3, type A, EN 54-17 EN 54-23 type A, Class C and O (FDSB228 only)
Approvals VdS	FDSB221: G211081
	FDSB228: G216030
	FDSB229: G211082

11  0786	FDSB221	Siemens Switzerland Ltd; Gubelstrasse 22 CH-6301 Zug Technical data: see doc. A6V10320090
FDSB221 - Sounder incl. short-circuit isolator for use in fire detection and fire alarm systems installed in buildings		
305/2011/EU (CPR): EN 54-3 / EN 54-17 ; 2004/108/EC (EMC): EN 50130-4 / EN 61000-6-3 ; 2011/65/EU (RoHS): EN 50581		
Declared performance and conformity can be seen in the Declaration of Performance and the EC Declaration of Conformity, which is obtainable via the Customer Support Center: Tel. +49 89 9221-8000 or http://siemens.com/bt/download		
DoP No.: 0786-CPR-21098; DoC No.: CED-FDSB221		

16  0786	FDSB228	Siemens Switzerland Ltd; Gubelstrasse 22 CH-6301 Zug Technical data: see doc. A6V10320090
FDSB228 - Visual alarm devices / Sounder Type A incl. short-circuit isolator for use in fire detection and fire alarm systems installed in buildings.		
305/2011/EU (CPR): EN 54-3 / EN 54-23 / EN 54-17 ; 2014/30/EU (EMC): EN 50130-4 / EN 61000-6-3 ; 2011/65/EU (RoHS): EN 50581		
The declared performance and conformity can be seen in the Declaration of Performance (DoP) and the EU Declaration of Conformity (DoC), which is obtainable via the Customer Support Center: Tel. +49 89 9221-8000 or http://siemens.com/bt/download		
DoP No.: 0786-CPR-21498 ; DoC No.: CED-FDSB228		

11  0786	FDSB229	Siemens Switzerland Ltd; Gubelstrasse 22 CH-6301 Zug Technical data: see doc. A6V10320090
FDSB229 - Sounder incl. short-circuit isolator for use in fire detection and fire alarm systems installed in buildings		
305/2011/EU (CPR): EN 54-3 / EN 54-17 ; 2004/108/EC (EMC): EN 50130-4 / EN 61000-6-3 ; 2011/65/EU (RoHS): EN 50581		
Declared performance and conformity can be seen in the Declaration of Performance and the EC Declaration of Conformity, which is obtainable via the Customer Support Center: Tel. +49 89 9221-8000 or http://siemens.com/bt/download		
DoP No.: 0786-CPR-21099; DoC No.: CED-FDSB229		

Dimensional drawings



Issued by
Siemens Switzerland Ltd
Building Technologies Division
International Headquarters
Gubelstrasse 22
CH-6301 Zug
Tel. +41 41-724 24 24
www.siemens.com/buildingtechnologies

© Siemens Switzerland Ltd, 2010
Technical specifications and availability subject to change without notice.