

**de** Installationsanleitung

**es** Instrucciones de montaje

**el** Οδηγίες Εγκατάστασης

**en** Installation Instructions

**pt** Instruções de montagem

**sk** Návod na montáž

**fr** Instructions d'installation

**sv** Installationsanvisning

**cs** Montážní list

**it** Istruzioni di montaggio

**fi** Asennusohje

**pl** Instrukcja montażu

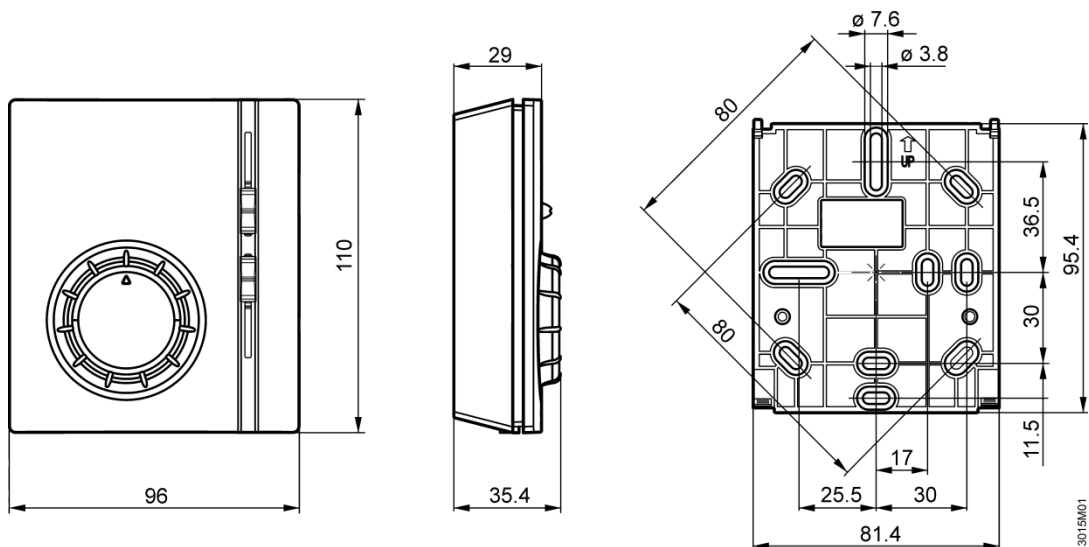
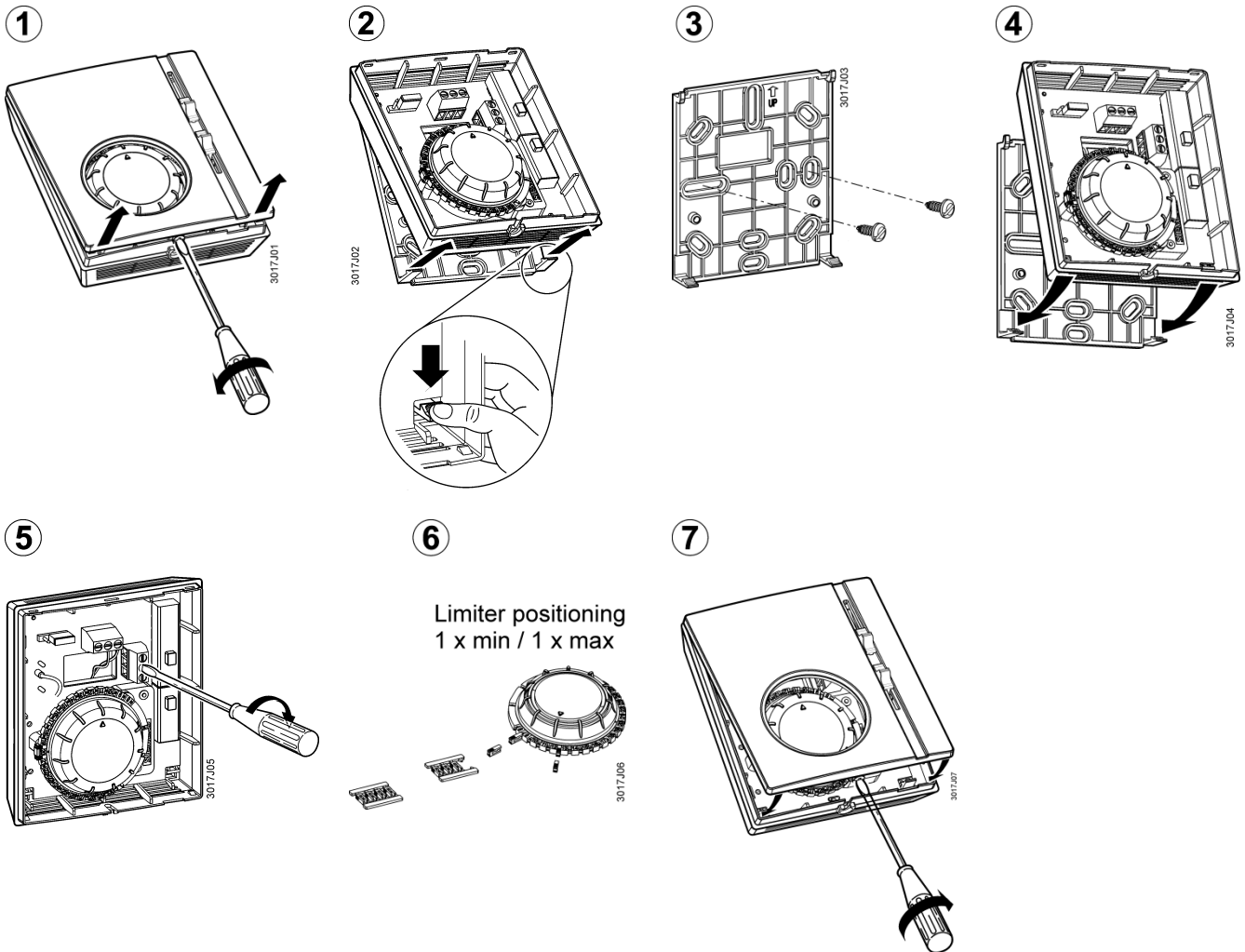
**nl** Installatie-aanwijzing

**da** Installationsvejledning

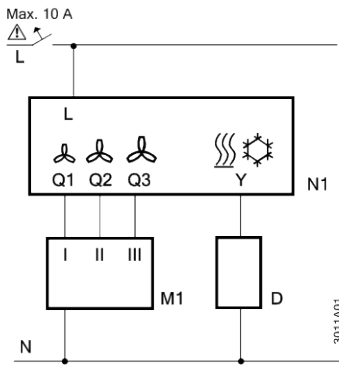
**hu** Telepítési leírás

**zh** 安装说明书

## RAB...



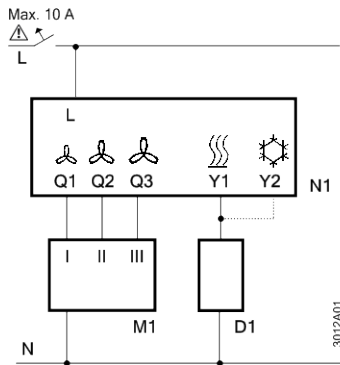
Dimensions in mm



### RAB11, RAB11.1

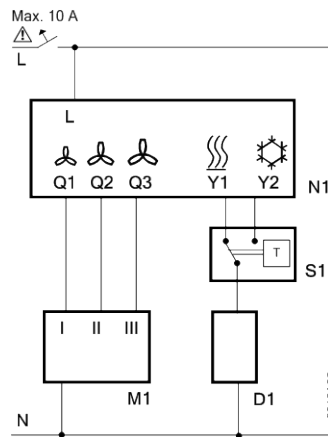
- L Switching voltage AC 24...250 V
- M1 3-speed fan
- N Neutral
- N1 Room thermostat
- Q1 Control output "Fan speed I", AC 24...250 V
- Q2 Control output "Fan speed II", AC 24...250 V
- Q3 Control output "Fan speed III", AC 24...250 V
- Y Control output "Valve actuator", AC 24...250 V
- D Zone valve or thermal valve

### RAB21, RAB21.1 Heating or Cooling



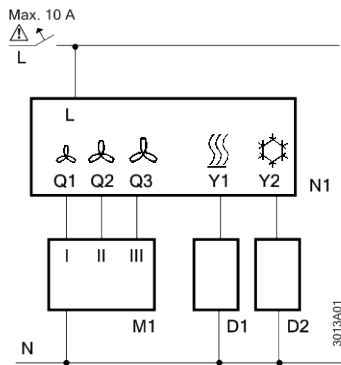
- D1 Zone valve or thermal valve for heating or cooling
- L Switching voltage AC 24...250 V
- M1 3-speed fan
- N Neutral
- N1 Room thermostat

### RAB21, RAB21.1 Changeover for heating or cooling with external aquastat



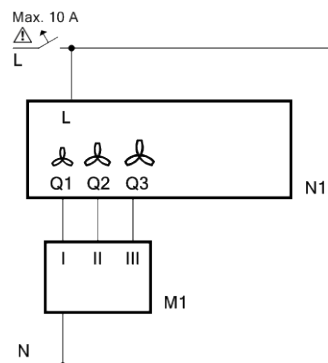
- Q1 Control output "Fan speed I", AC 24...250 V
- Q2 Control output "Fan speed II", AC 24...250 V
- Q3 Control output "Fan speed III", AC 24...250 V
- Y1 Control output "Valve actuator heating", AC 24...250 V
- Y2 Control output "Valve actuator cooling", AC 24...250 V
- S1 Aquastat e.g. Z182 / RYT182

### RAB31, RAB31.1



- D1 Zone valve or thermal valve for heating
- D2 Zone valve or thermal valve for cooling
- L Switching voltage AC 24...250 V
- M1 3-speed fan
- N Neutral
- N1 Room thermostat
- Q1 Control output "Fan speed I", AC 24...250 V
- Q2 Control output "Fan speed II", AC 24...250 V
- Q3 Control output "Fan speed III", AC 24...250 V
- Y1 Control output "Valve actuator heating", AC 24...250 V
- Y2 Control output "Valve actuator cooling", AC 24...250 V

### RAB91



- L Switching voltage AC 24...250 V
- M1 3-speed fan
- N Neutral
- N1 Room thermostat
- Q1 Control output "Fan speed I", AC 24...250 V
- Q2 Control output "Fan speed II", AC 24...250 V
- Q3 Control output "Fan speed III", AC 24...250 V