

FibroTester

Heatdevice for Sensor cable

FibroLaser™

- Heat device to release a Test alarm or measure the exact length of the Sensor cable
- Almost 2m Heat length
- Fast heating up to 110°C
- Digital Temperature Display
- No melting cables
- One person operation

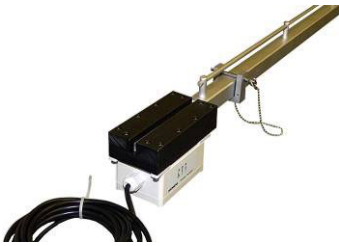
Safety Notes

The FibroTester is designed to heat up a FibroLaser Sensor cable. Other Products could be damaged.

Attention risk of burn: The FibroTester is heating up to a temperature of 110°C. After switch on, the device shouldn't be touched inside without safety gloves! The FibroTester is now equipped with a digital temperature display.

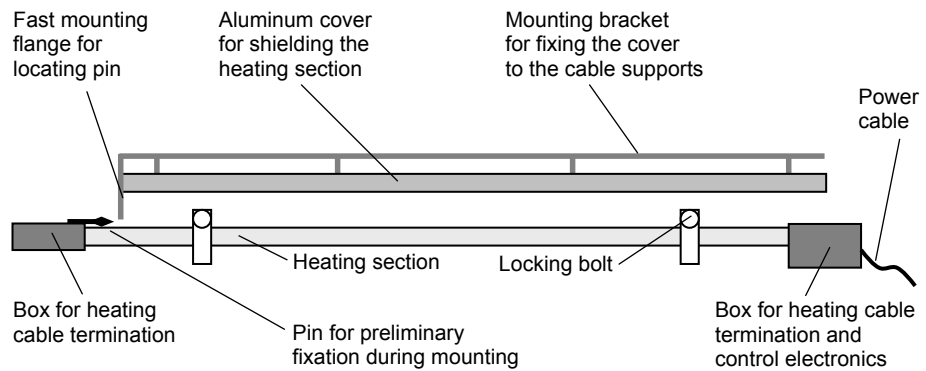
The FibroTester is protected against spray water (IP65).

Design

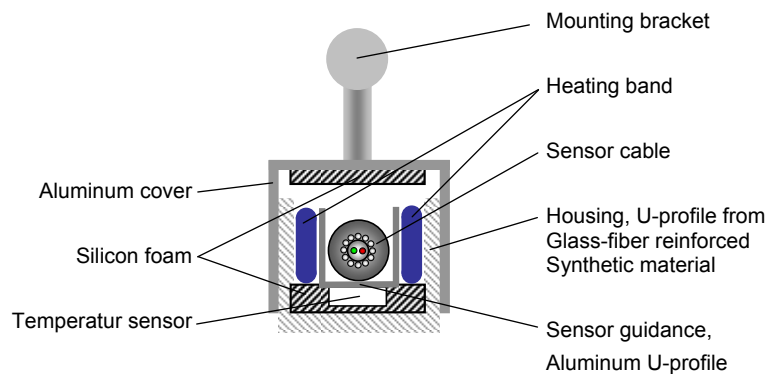


The FibroTester has a heating section, where the Sensor cable will be laid in. As soon as the inside of the cable, reaches the temperature, which is configured in the FibroManager, an Alarm will be released. For a fast reaction time the FibroTester must be preheated.

The FibroTester can be used as a mobile- or fix installation.



Profile:



Technical Data

Active heating section	185cm
Total length	206cm
weight	4,3kg
Thermal output	400W at 230VAC
Max. operating temperature	110°C
Response of the safety switch	130°C +/-5°C
Working temperature	0 – 45°C
Cooling down time to 40°C	Ca. 30minutes
Length of Powercable	480cm
IP Protection category	IP65 (Spray water protected)

Order details

Type	Art. Nr. EPH Electronics	Description
FibroTester	994 304 600	FibroTester for 4-8mm Sensor cable

Siemens Switzerland Ltd
Infrastructure & Cities Sector
Building Technologies Division
International Headquarters
CPS Fire Safety
Gubelstrasse 22
CH-6301 Zug
Tel. +41 41 724 24 24
www.siemens.com/buildingtechnologies

Document no. **A6V10320666_b_en**
Edition 11.2011

© 2011 Copyright by
Siemens Switzerland Ltd
Data and design subject to change without notice.
Supply subject to availability.

Manual FibroLaser
Section 5