



OTS30XX(S)-SC

FibroLaser™

LHD Switch Controller

(OTS = Optical Temp. Sensor)

(XX = 01, 02, 04, 06, 10 / SC = Switch Controller)

- **Linear temperature measurement for quick fire detection and precise localization of the fire source**
- **Optical Switch allows to attach a sensor cable length up to 20km (2 x 10 km)**
- **Signal processing with OFDR-Technology (Optical Frequency Domain Reflectometry)**
- **1000 free programmable zones for each fibre**
- **Selectable alarm and pre-alarm criteria**
- **High spatial resolution – up to 0.25 m**
- **Information regarding the direction of the fire spread**
- **Redundant sensor system is possible**
- **Suitable for wind speeds of up to 10 m/s**
- **Laser product class 1M according DIN EN 60825-1: 2007**
- **VdS approval Pr EN 54-22 (G211076)**

Measuring principle

The FibroLaser is based on a laser beam being sent through a fiber-optic cable. The fiber-optic cable scatters a small part of the laser radiation at any point, back to the source. The backscatter is measured by the module within the controller.

THE OTS SWITCH-CONTROLLER IS ABLE TO ATTACH TWO SENSORCABLES

The near-infrared electromagnetic LED laser light radiation emitted is reflected in different ways by the fiber-optic cable:

- Rayleigh scattering
- Stokes scattering
- Anti-Stokes scattering

The Rayleigh scattered light has the same wavelength as the laser beam, whereas the Stokes scattering has a slightly higher and the anti-Stokes scattering a slightly lower wavelength. The two Stokes scattering types are also referred to as Raman scattering. While Stokes scattering is not so temperature-dependent, anti-Stokes scattering is affected by the thermal energy of the fiber-optic cable's local temperature. The intensity increases with the temperature. The temperature of the fiber-optic cable is thus calculated from the intensity ratio between Stokes and anti-Stokes scattering.

Controller

Transmitter:

- The Transmitter contains the laser and an optical-switch which allows to switch between to different optical Fibres

Receiver:

- The Receiver contains the entire optical system including coupler and optical receiver.
- Coupling of the laser light generated in the transmitter to the sensor cable.
- Converting the back scatter light returned from the sensor fiber from an optical into an electrical signal.
- Amplification and filtering of the electrical signals.

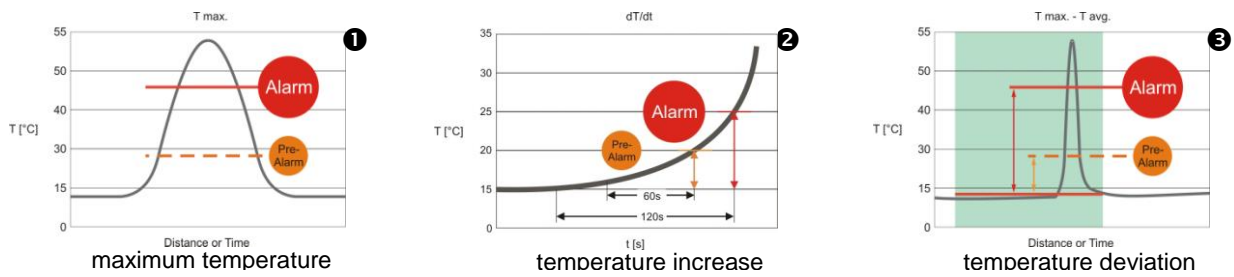
Digital part:

- The digital module controls the entire device and the measurement process.
- It calculates, based on the received measurement data, the temperature profile along the sensor cable.
- The 4 inputs (optional 40) are used for resetting, external alarm transmission or monitoring functions.
- The 12 outputs (optional 106) enable alarm and malfunction reporting to a fire detection center.
- The FibroNet interface or USB-Port is needed for commissioning via PC. As an option, a PC can be connected at the interface to display zones and/or the temperature profile (visualization software FibroManager).
- Protocols of previous generation Controllers are supported (OTS-100, OTS-X)

Power supply:

- The power supply supplies all components of the controller with the necessary operating voltage.
- Controllers are offered with DC 24 V (standard) or AC 115/230 V (optional).

Alarm criteria



The FibroLaser allows three different alarm criteria:

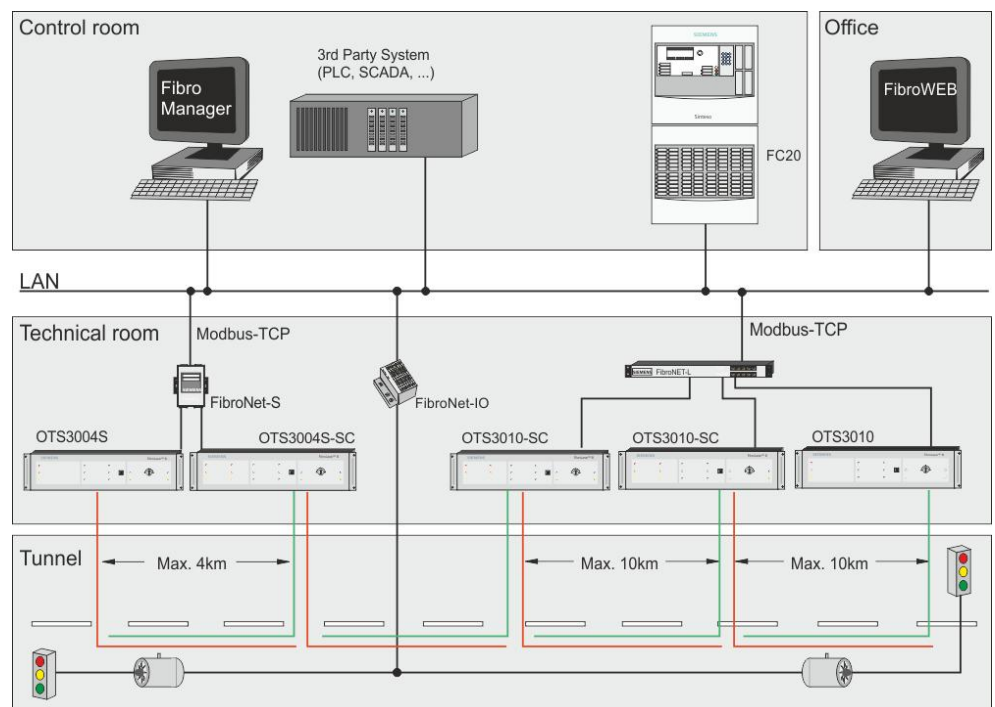
- ❶ surpassing a defined maximum temperature,
- ❷ experiencing a rapid temperature increase and
- ❸ deviating too far from the average temperature of a zone.

Applications

Linear heat detectors are mainly used for applications in traffic tunnels (road and railway tunnels). Besides the main application, there are other application areas in use today, such as:

- in conveyor belts in coal power plant
- in underground mining, to monitor transport systems
- in steel production, to monitor production facilities
- in refineries, to monitor explosive areas (EX-Version)
- in power plants, to monitor cable platforms and shafts
- in underground train stations and shopping centres, to monitor escalators
- in power plants, to monitor radioactively contaminated areas (interim storage, pump sump)

Project example



Mechanical data

Controller	19" Rack / 3 units of height
dimensions (H x W x D)	13,1 x 48,3 x 33,8 cm
color	grey
weight	13 kg
Transportation box	wood
dimensions (H x W x D)	62 x 43 x 61 cm
weight (with Controller and Installation set)	35kg

Electrical data

operating voltage (24VDC Controller)	DC 12 ... 48 V
mains voltage (115/230VAC Controller)	AC 100 ... 240 V
power consumption (DC Controller)	<25W (max. 45 W/60°C)
programmable inputs	4 (optional 40)
programmable outputs (potential-free)	12 (optional 106)
communication interface	FibroNET (TCP/IP, Modbus TCP/RTU, RS485, RS232)

Optical data

laser wavelength	1064 nm
optical connector	E2000 / 8° bevel grinding
laser classification	class 1M according to EN60825-1: 2007
maximum measuring distance (OTS30xxS-SC: xx = 01, 02, 04)	2, 4, 8km (see project example)

laser wavelength	1550 nm
optical connector	E2000 / 8° bevel grinding
laser classification	class 1M according to EN60825-1: 2007
maximum measuring distance (OTS30xx-SC: xx = 06, 10)	12, 20 km (see project example)

Environmental conditions

storage temperature	-35 ... +75 °C
operating temperature	-10 ... +60 °C
humidity (no condensation permitted)	≤95 % rel.
protection category (IEC 60529)	IP51

Approvals

VdS (Pr EN 54-22)	G211076
-------------------	---------

Siemens Switzerland Ltd
Industry Sector
Building Technologies Division
International Headquarters
Fire Safety & Security Products
Gubelstrasse 22
CH-6301 Zug
Tel. +41 41 724 24 24
www.siemens.com/buildingtechnologies

Document no. **A6V10323452_d_en**
Edition 01.2015

© 2015 Copyright by
Siemens Switzerland Ltd
Data and design subject to change without notice.
Supply subject to availability.

Manual FibroLaser
Section 3