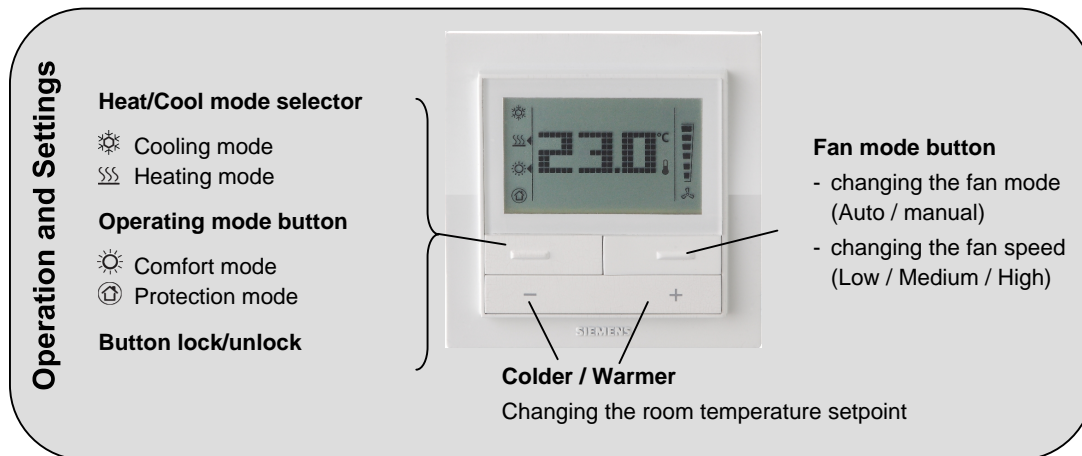
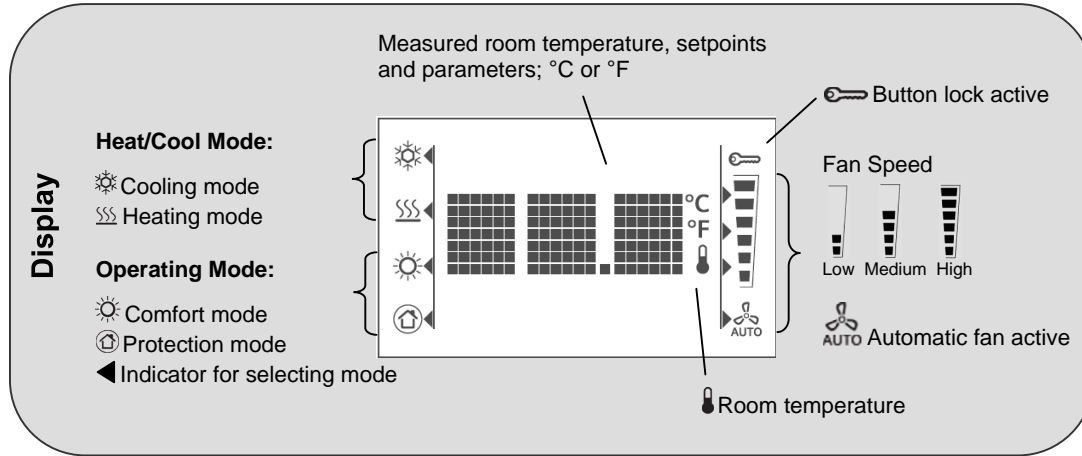


RDF510.2 – the temperature controller that allows you to set the ideal room temperature you want. The controller provides normal operation with comfort mode and protection mode. The fan operates either in automatic mode or at the selected speed when using manual mode. You can either rely on the factory settings or make adjustments that suit your individual needs.



### Are your rooms too warm or too cold?

 + / -	<p>Only applicable in normal operation (Comfort mode ).</p> <p>Pressing + or - allows you to increase or decrease the current room temperature setpoint for normal operation (Comfort mode ) in increments of 0.5 °C. The maximum setting range is from 5...40 °C, unless it is limited by parameters P05 and P06.</p>
-----------	--

### Do you want to set your controller to protection mode?

 	<p>Press the operating mode button several times until the indicator  stop right beside the Protection mode symbol .</p> <p>In protection mode , the controller can maintain the lower setpoint of heating for frost protection according to parameter P03 or the higher setpoint of cooling for moldy resistance according to parameter P04.</p> <p><b>Important:</b> If the setpoint of protection is set to OFF, the controller will not be activated in protection mode.</p> <p><b>Risk of frost!</b></p>
------	---

### Do you want to change the fan mode?

	<p>Press the fan mode button until you have selected the desired fan mode.</p> <p>In automatic mode, the fan speed is automatically selected by the controller and depends on the setpoint and the actual room temperature. When the room temperature has reached the setpoint, the fan either remains in fan speed low (factory setting) or switches off (parameter P21).</p> <p>In manual mode the fan operates independently and always runs at the same speed: Low, medium or high.</p> <p>The actual fan speed is indicated by:</p> <p style="text-align: center;">  Low Medium High       </p>
--	--

### Do you want to change from heating to cooling mode?

 OR	<p>When pressing the Heat/Cool mode selector continuously (without intermittent stop), the controller changes from heating to cooling or vice versa.</p> <p>If the controller is commissioned <i>cooling only</i> or <i>heating only</i>, no changeover is possible (please see parameter P22: factory setting <i>manual H/C changeover</i>).</p>
--------	---

### Recalibrating the sensor


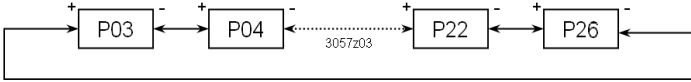
If the room temperature displayed by the controller does not agree with the temperature effectively measured, the temperature sensor can be recalibrated. For that purpose parameter P07 must be changed.

	<p>Proceed as described under "<a href="#">Changing the control parameters</a>" and follow steps 1 through 3 to select parameter P07.</p> <p>With step 4, the room temperature displayed can now be matched to the temperature effectively measured. Each push of the + or - button changes the temperature by + or -0.5 °C up to a maximum of + or -3 °C.</p> <p>With step 7, the recalibration is automatically stored after pressing the + and - simultaneously at "End".</p>
--	--


## Changing the control parameters

To optimize the control performance, a number of control parameters can be adjusted. This can also be made during operation without opening the controller. If you want to change the control parameters, please proceed as follows:



(For factory settings, please refer to table of "[Commissioning by qualified HVAC staff](#)").

+ / -	1. Set the controller to protection mode 
+ / -	2. Press + and – simultaneously for minimum of 3 seconds. Release them and within 2 seconds, press + again for 3 seconds. The display will show "P03".
+ / -	3. Select the required parameter by repeatedly pressing the + or – button:
	
+ / -	4. Press + and – simultaneously. The current value of the selected parameter will appear, which can be changed by repeatedly pressing + or –.
+ / -	5. By pressing + and – simultaneously again, the next parameter will be display. Or, 5 seconds after the last press of a button, the last parameter will be displayed again.
+ / -	6. If you wish to display and change additional parameters, repeat steps 3 through 5.
	7. Otherwise, press + or – until "End" is displayed, and then press + and – simultaneously to save the change and exit parameter entry mode.

## Do you want to lock the buttons?

	<p>If the button lock function is enabled by parameter P26, then pressing 7 seconds on the operating mode button , the button will be locked or unlocked respectively.</p> <p>If "Auto lock" is configured, then the controller will automatically lock the buttons after 30 seconds of the last adjustment.</p>
---	--

## Commissioning (by qualified HVAC staff)

Parameter	Controller's parameter factory settings	Setting range	Change record
P03	Setpoint of heating in protection  (Wheat <sub>Sib</sub> )	8 °C	OFF, 5 °C...Wcool <sub>Sib</sub>
P04	Setpoint of cooling in protection  (Wcool <sub>Sib</sub> )	OFF	OFF, Wheat <sub>Sib</sub> ...40 °C
P05	Minimum setpoint limitation in Comfort mode (Wmin <sub>Norm</sub> )	5 °C	5 °C...Wmax <sub>Norm</sub>
P06	Maximum setpoint limitation Comfort mode (Wmax <sub>Norm</sub> )	35 °C	Wmin <sub>Norm</sub> ...40 °C
P07	Sensor calibration	0 K	-3...3 K
P08	Switching differential heating SDH	1 K	0.5...4 K
P09	Switching differential cooling SDC	1 K	0.5...4 K
P14	Dwelling time of auto fan speeds	2 min.	1...5 minutes
P17	Selection of °C or °F	°C	°C or °F
P18	Display of temperature or setpoint	ON	OFF: Setpoint ON: Room (or return air) temperature
P21	Fan control in normal operation (Comfort mode)	ON	OFF in dead zone ON in dead zone
P22	Heat/Cool mode	3: Manual H/C changeover	0: Heating only 1: Cooling only 3: Manual H/C changeover
P26	Button lock (Pressing 7 seconds on the operating mode button, the button will be locked or unlocked respectively)	0 (Disabled)	0: Disabled 1: Auto lock 2: Manual lock

**! Please record all changes you make.**