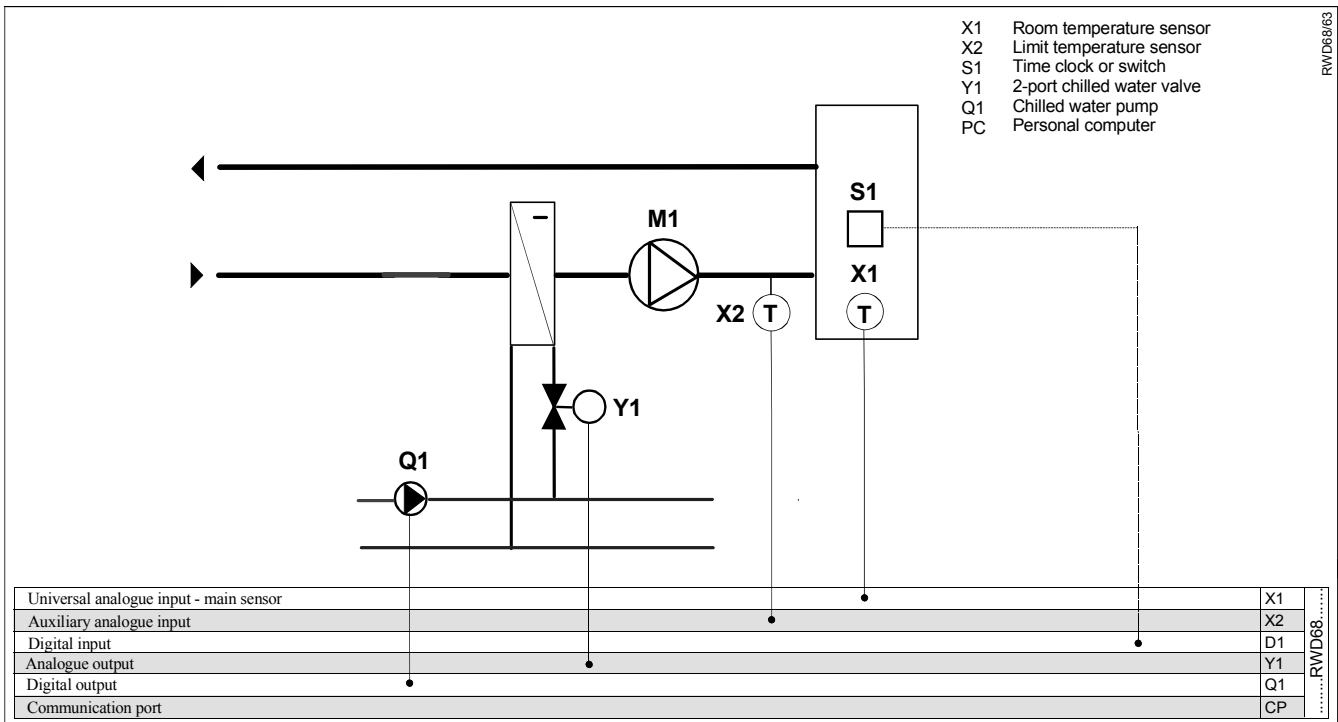


**RWD68 Universal Controller**  
**Application 63**  
**Relative limit control**

Room temperature control  
 Chilled water control valve  
 Chilled water pump output

- Control (P or PI)
- Room temperature control
- Proportional control ( 0..10Vdc ) of the chilled water valve.
- Digital output to energise chilled water pump
- Relative maximum and / or minimum limit control of the supply air.
- Optional day / night set point adjustment .



**Supplemental features**

**Control**

- Room temperature sensor can be selected as Ni1000, Pt1000, or active sensor.
- Adjustable differential of digital output Q1.
- Adjustable proportional band of analogue output Y1.
- Integral action function selection and adjustment for output Y1.
- 24Vac controller supply voltage
- 0..10Vdc modulating control valve
- Duct temperature sensor can be selected as Ni1000, Pt1000, or active sensor.(X2)
- Relative maximum and / or minimum supply air temperature control.

**Operating modes**

- Day / night set points can be selected via time clock or switch.
- Dependent mode for the two cooling outputs, meaning that the digital output ON and OFF settings are set within the analogue output proportional band.

**Description of operation**

The temperature sensor senses the room conditions and on a rise in temperature the RWD68 via Y1 analogue output modulates the chilled water control valve as determined by the cooling set point and proportional band settings.

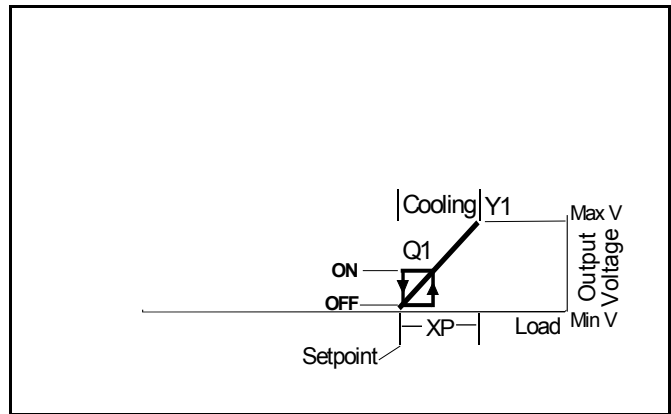
The Q1 digital output energises the chilled water pump as determined by the Q1 ON and OFF settings as the chilled water valve opens.

Relative supply air control is maintaining maximum and/or minimum difference between supply air and room temperature setpoint when the temperature difference drops below or exceeds the limiter setpoints.

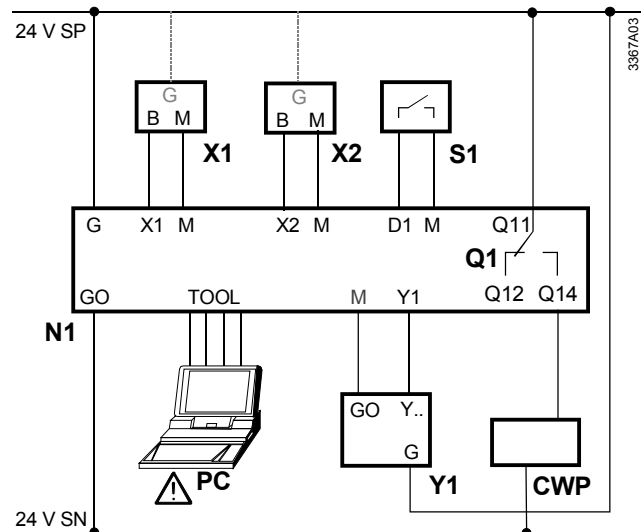
The limiter function overrides the standard control function to maintain the limiter setpoints.

**Function diagram**

Cooling sequences



**Connection diagram**



**RWD68**

- N1 RWD68 controller
- X1 Main temperature sensor
- X2 Limit temperature sensor
- X1 Time clock or switch
- Q1 Potential-free relay contacts for on / off control
- Y1 Valve actuator with 0..10Vdc input
- CWP Chilled water pump contactor
- PC Personal computer

**Main Display**

The main display shows ,

- a) Whether Q1 is On or Off (  = off,  = on )
- b) Y1 output in Volts dc. (0..10V = 0..100% range)
- c) Whether day or night set point is selected. (☐ = day, ( = night)
- d) X1 value ( room temperature) in ° C.

Other displays are available by pressing the + button, and the various displays are listed below in sequence from the main display.

On entering any of the four set point displays, the setpoint on display can be adjusted by pushing the ● enter/save button, increase value by pressing the ▲+ button or decrease the value by pressing the ▼- button, and when the required value is reached, press the ●enter/save button to save the new value.

The alternative displays return to the main display after 20 seconds duration.

Press buttons	Action	Current display	Selected display	Selected display comments
▲	Push + button	Q1 Y1 ☐ X1	SP – c ☐ 25.0c	Cooling day set point.
▲	Push + button	SP – c ☐ 25.0c	SP – c ( 16.0c	Cooling night set point.
▲	Push + button	SP – c ( 16.0c	X1 18.0c	X1 - main temperature sensor reading
▲	Push + button	X1 18.0c	X2 19.0c	X2 - limit temperature sensor reading
▲	Push + button	X2 19.0c	Y1 5.0	Y1 – cooling analogue output value in Vdc to one decimal point
▲	Push + button	Y1 5.0	Q1 ON	Q1 – cooling digital output, display on or off.
▲	Push + button	Q1 ON	LIM / 63 REL	Control sequence diagram and application number display.
▲	Push + button	LIM / 63 REL	Q1 Y1 ☐ X1	Back to main display

Values shown are either default values or nominated for information only