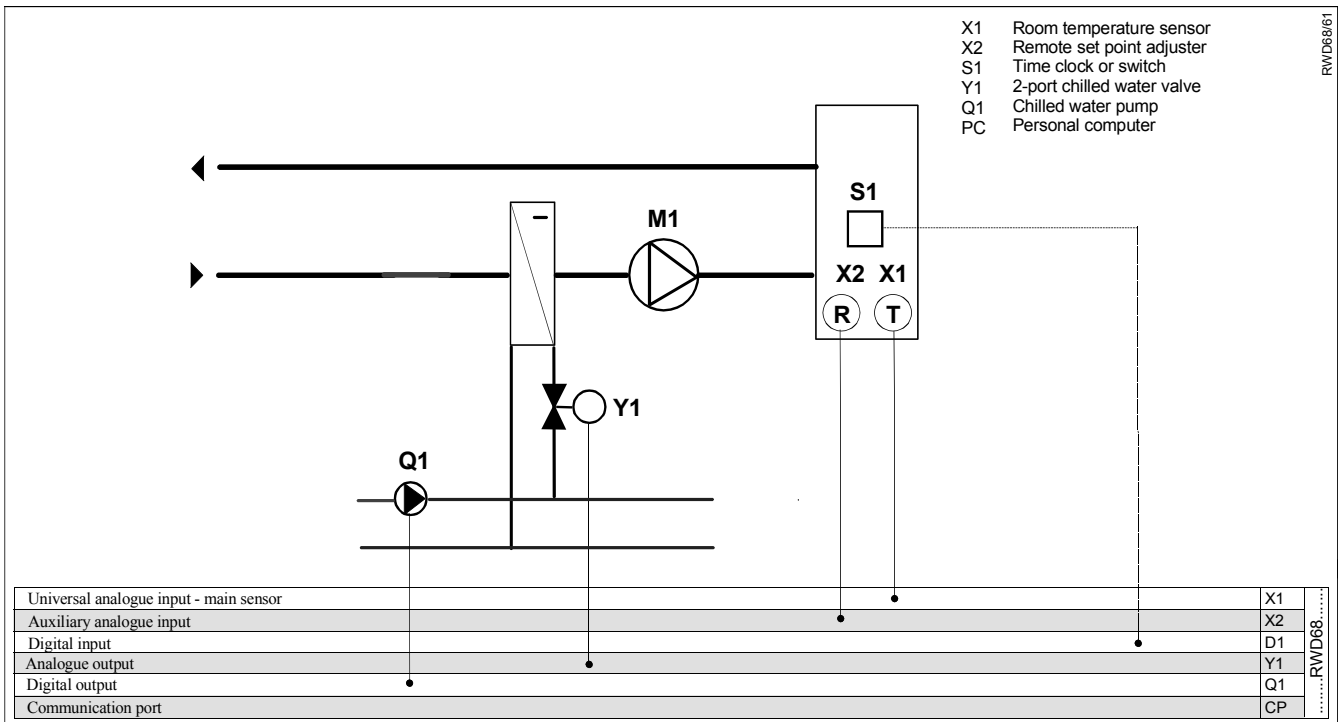


RWD68 Universal Controller

Room temperature control
Chilled water control valve
Chilled water pump output

**Application 61
Remote set point**

- Control (P or PI)
- Room temperature control
- Proportional control (0..10Vdc) of the chilled water valve.
- Digital output to energise chilled water pump
- Remote set point adjustment.
- Optional day / night set point adjustment .



Supplemental features

Control

- Room temperature sensor can be selected as Ni1000, Pt1000, or active sensor.
- Adjustable differential of digital output Q1.
- Adjustable proportional band of analogue output Y1.
- Integral action function selection and adjustment for output Y1.
- 24Vac controller supply voltage
- 0..10Vdc modulating control valve
- Remote set point adjustment via auxiliary analogue input X2.

Operating modes

- Day / night set points can be selected via time clock or switch.
- Dependant mode for the two cooling outputs, meaning that the digital output ON and OFF settings are set within the analogue output proportional band.

Description of operation

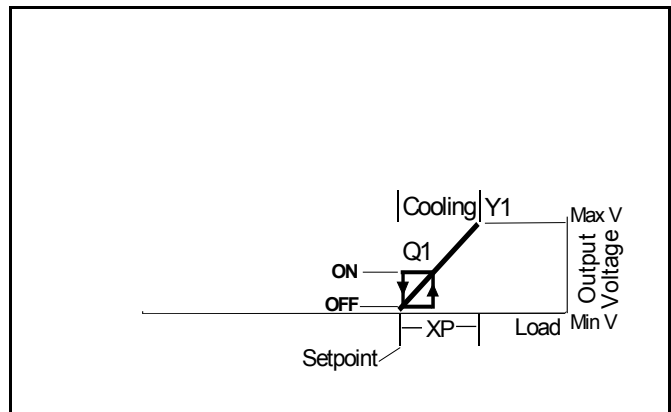
The temperature sensor senses the room conditions and on a rise in temperature the RWD68 via Y1 analogue output modulates the chilled water control valve as determined by the cooling set point and proportional band settings.

The Q1 digital output energises the chilled water pump as determined by the Q1 ON and OFF settings as the chilled water valve opens.

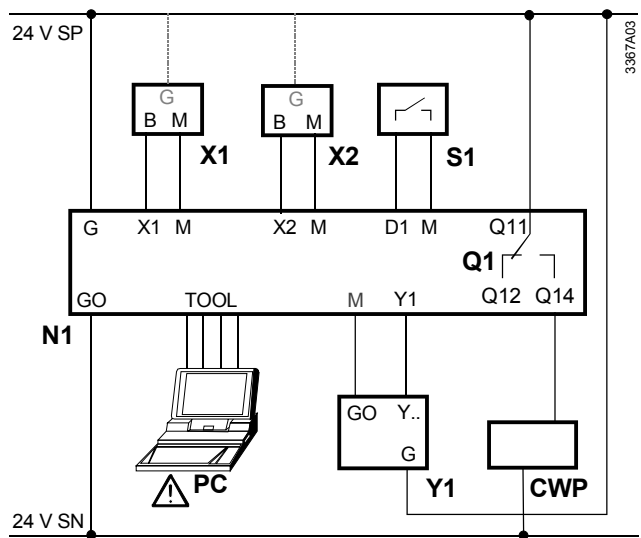
The setting on the remote setpoint adjuster is the only day set point available. The night setpoint is set on the controller.

Function diagram

Cooling sequences



Connection diagram



RWD68

- N1 RWD68 controller
- X1 Main temperature sensor
- X2 Remote set point adjuster
- X1 Time clock or switch
- Q1 Potential-free relay contacts for on / off control
- Y1 Valve actuator with 0..10Vdc input
- CWP Chilled water pump contactor
- PC Personal computer

Main Display

The main display shows ,

- a) Whether Q1 is On or Off (= off, = on)
- b) Y1 output in Volts dc. (0..10V = 0..100% range)
- c) Whether day or night set point is selected. (☾ = day, ☽ = night)
- d) X1 value (room temperature) in ° C.
- e) Auxiliary application selected (REM for remote set point adjustment)

Other displays are available by pressing the + button, and the various displays are listed below in sequence from the main display.

On entering any of the four set point displays, the setpoint on display can be adjusted by pushing the ● enter/save button, increase value by pressing the ▲+ button or decrease the value by pressing the ▼- button, and when the required value is reached, press the ●enter/save button to save the new value.

The alternative displays return to the main display after 20 seconds duration.

Press buttons	Action	Current display	Selected display	Selected display comments
▲	Push + button	REM Q1 Y1 ☾ X1	Y1 SP – c ☽ 32.0c	Y1 cooling night set point.
▲	Push + button	Y1 SP – c ☽ 32.0c	X1 23.0c	X1 - main temperature sensor reading
▲	Push + button	X1 23.0c	X2SP 21.0c	X2 - actual remote set point setting
▲	Push + button	X2SP 21.0c	Y1 5.0	Y1 – heating analogue output value in Vdc to one decimal point
▲	Push + button	Y1 5.0	Q1 ON	Q1 – cooling digital output, display on ot off.
▲	Push + button	Q1 ON	REM <input checked="" type="checkbox"/> 61	Control sequence diagram and application number display.
▲	Push + button	REM <input checked="" type="checkbox"/> 61	REM Q1 Y1 ☾ X1	Back to main display

Values shown are either default values or nominated for information only