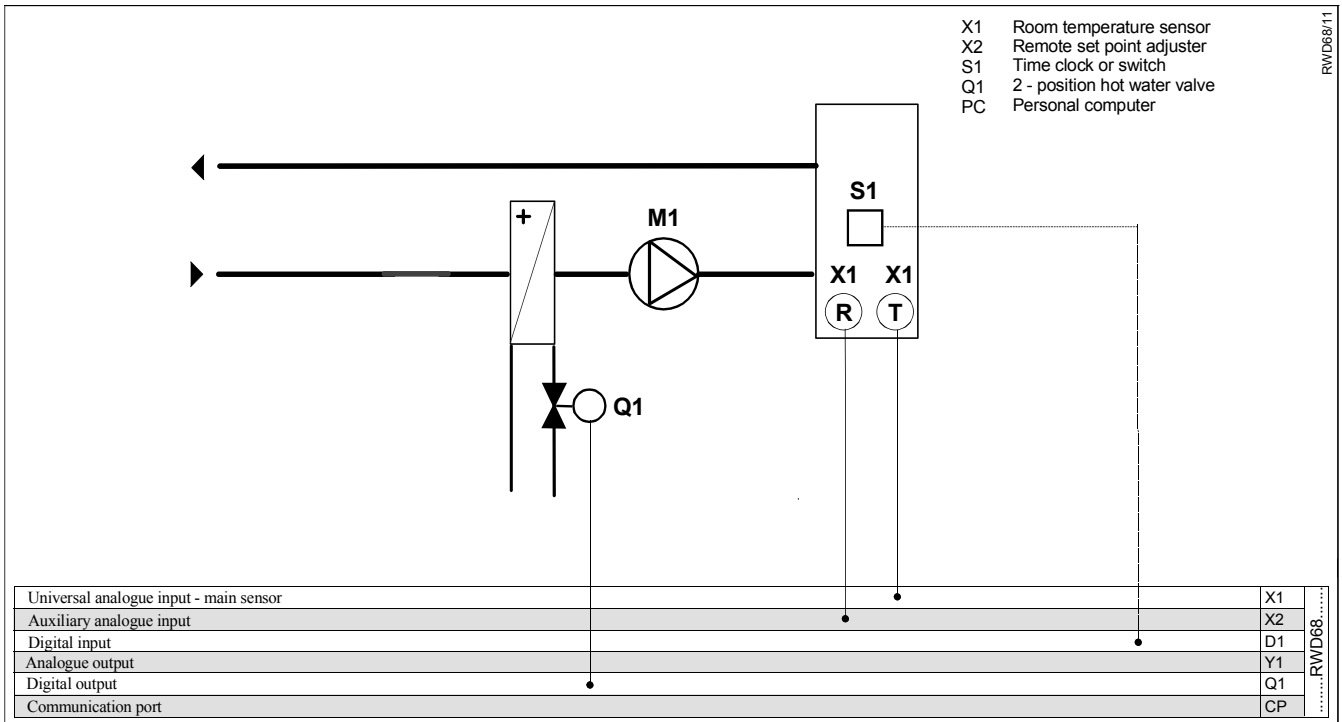


RWD68 Universal Controller

Room temperature control
Hot water control valve – 2 pos
24Vac control system

**Application 11
Remote set point**

- Control one stage .. two position
- Room temperature control
- On / off control of the 2 position hot water valve
- Optional day / night set point adjustment .
- Remote set point adjustment



Supplemental features

Control

- Room temperature sensor can be selected as Ni1000, Pt1000, or active sensor.
- Adjustable differential of digital output Q1.
- Adjustable minimum switch off time.
- 24Vac controller supply voltage
- 24Vac two position control valves
- Remote set point adjustment via auxiliary analogue input X2.

Operating modes

- Day / night set points can be selected via time clock or switch.

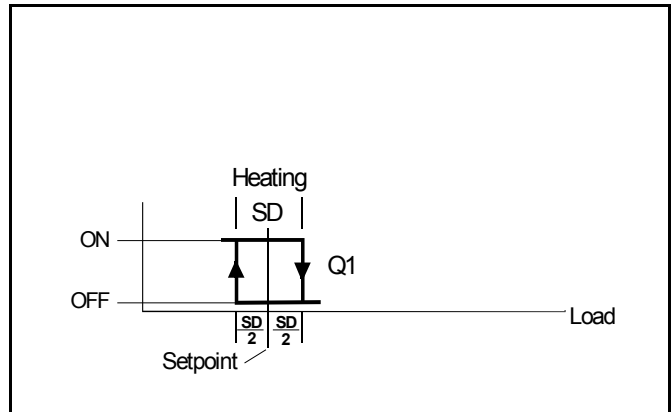
Description of operation

The temperature sensor senses the room conditions and on a fall in temperature the RWD68 via Q1 digital output opens and closes the hot water 2-position valve as determined by the heating set point and Q1 differential settings.

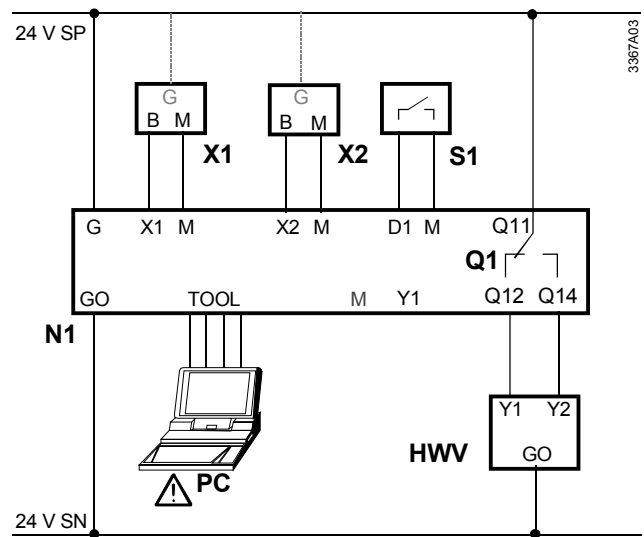
The setting on the remote setpoint adjuster is the only day set point available. The night setpoints are set on the controller.

Function diagram

Heating sequence



Connection diagram



RWD68

- N1 RWD68 controllers
- X1 Main temperature sensor
- X2 Remote set point adjuster
- S1 Time clock or switch
- Q1 Potential-free relay contacts for 2-position output
- HWV Two position hot water valve
- PC Personal computer

Main Display

The main display shows ,

- a) Whether Q1 is On or Off (□ = off, ■ = on)
- b) Whether day or night set point is selected. (☐ = day, ☒ = night)
- c) X1 value (room temperature) in ° C.
- d) Auxiliary application selected (REM for remote set point adjustment)

Other displays are available by pressing the + button, and the various displays are listed below in sequence from the main display.

On entering any of the four set point displays, the setpoint on display can be adjusted by pushing the ● enter/save button, increase value by pressing the ▲ + button or decrease the value by pressing the ▼ – button, and when the required value is reached, press the ● enter/save button to save the new value.

The alternative displays return to the main display after 20 seconds duration.

Press buttons	Action	Current display	Selected display	Selected display comments
▲	Push + button	REM Q1 ☐ X1	SP – h ☒ 16.0c	Q1- heating night set point.
▲	Push + button	SP – h ☒ 16.0c	X1 18.0c	X1 - main temperature sensor reading
▲	Push + button	X1 18.0c	X2SP 19.0c	X2 - actual remote set point setting
▲	Push + button	X2SP 19.0c	Q1 ON	Q1 – heating digital output, display on or off.
▲	Push + button	Q1 ON	REM □ 11	Control sequence diagram and application number display.
▲	Push + button	REM □ 11	REM Q1 ☐ X1	Back to main display

Values shown are either default values or nominated for information only.

Alternative

- 1) One stage ON / OFF control of electric heater bank.