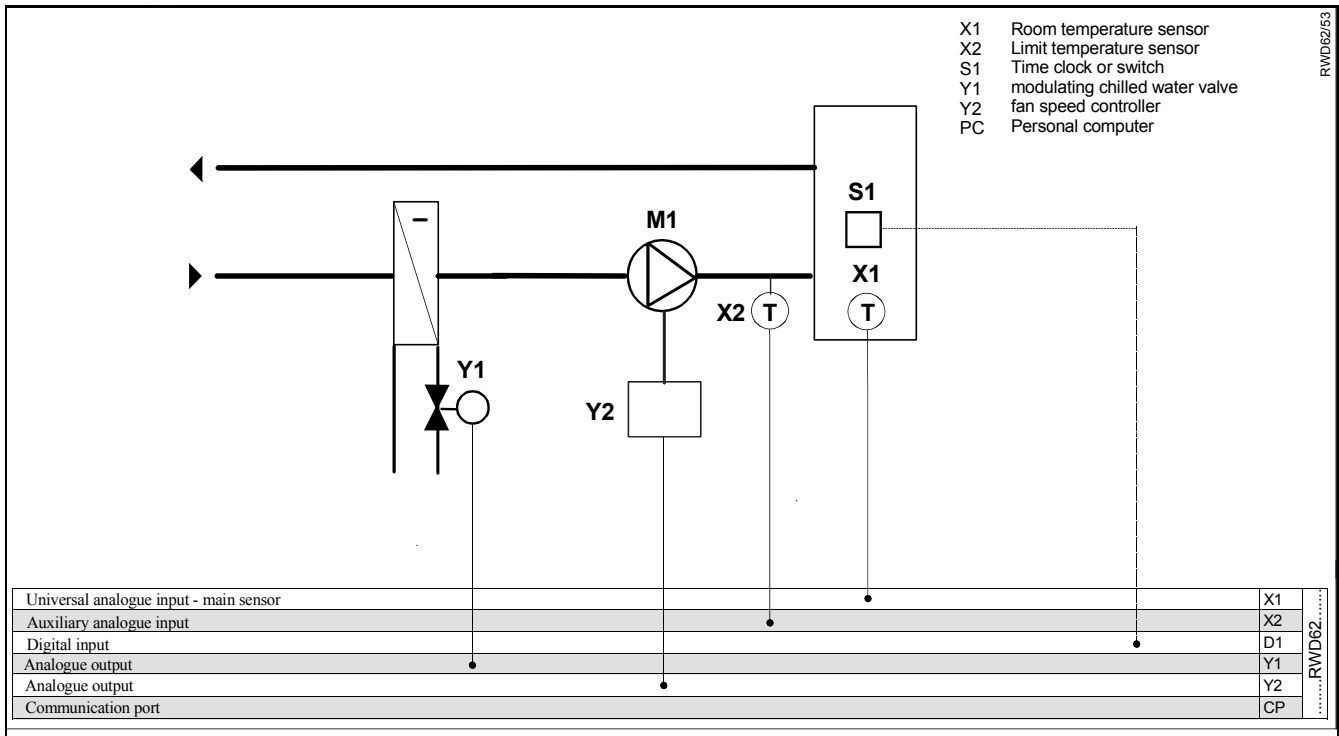


RWD62 Universal Controller
Application 53
Relative limit control

Room temperature control
 Chilled water control valve
 Supply fan speed control

- Control (P or PI)
- Room temperature control
- Proportional control (0..10Vdc) of the chilled water valve.
- Proportional control (0..10Vdc) of the fan speed .
- Relative maximum and / or minimum limit control of the supply air.
- Optional day / night set point adjustment .



Supplemental features

Control

- Room temperature sensor can be selected as Ni1000, Pt1000, or active sensor.
- Single cooling setpoint at Y1 – 0% output, no dead zone between Y1 and Y2.
- Adjustable proportional band of analogue output Y1.
- Adjustable proportional band of analogue output Y2.
- Adjustable Integral action function selection and adjustment for Y1 & Y2.
- Duct temperature sensor can be selected as Ni1000, Pt1000, or active sensor.
- Relative maximum and / or minimum supply air temperature control.

Operating modes

- Day / night set points can be selected via time clock or switch.

Description of operation

The temperature sensor senses the room conditions and on a rise in temperature the RWD62 via Y1 analogue output modulates the chilled water valve as determined by the cooling set point and proportional band (XP) setting. On a further rise in temperature the RWD62 via the Y2 analogue output modulates the supply fan via a fan speed controller, as determined by the proportional band (XP) setting.

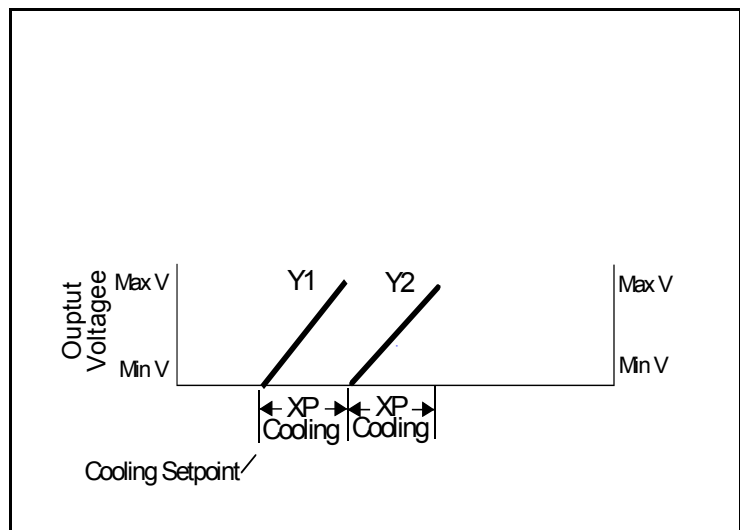
Y2 output begins immediately after Y1 reaches maximum output, there is no dead zone between Y1 and Y2 output.

Relative supply air control is maintaining maximum and/or minimum difference between supply air and room temperature setpoint when the temperature difference drops below or exceeds the limiter setpoints.

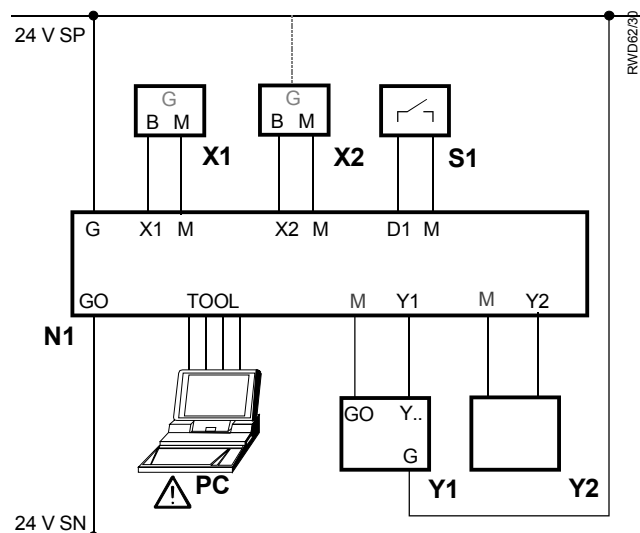
The limiter function overrides the standard control function to maintain the limiter setpoints.

Cooling and cooling sequences

Function diagram



Connection diagram



RWD62

- N1 RWD62 controller
- X1 Main temperature sensor
- X2 Limit temperature sensor
- S1 Time clock or switch
- Y1 Cooling control valve with 0..10Vdc input
- Y2 Fan speed controller with 0..10Vdc input
- PC Personal computer

Main Display

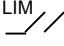
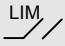
The main display shows ,

- a) Y1 output in Volts dc. (0..10V = 0..100% range)
- b) Y2 output in Volts dc. (0..10V = 0..100% range)
- c) Whether day or night set point is selected. (☒ = day, (= night)
- d) X1 value (room temperature) in ° C.

Other displays are available by pressing the + button, and the various displays are listed below in sequence from the main display.

On entering any of the four set point displays, the setpoint on display can be adjusted by pushing the ● enter/save button, increase value by pressing the ▲+ button or decrease the value by pressing the ▼- button, and when the required value is reached, press the ●enter/save button to save the new value.

The alternative displays return to the main display after 20 seconds.

Press buttons	Action	Current display	Selected display	Selected display comments.
▲	Push + button	Y1 Y2 ☒ X1	SP – c ☒ 25.0c	cooling day set point.
▲	Push + button	SP – c ☒ 25.0c	SP – c (32.0c	cooling night set point.
▲	Push + button	SP – c (32.0c	X1 22.0c	X1 - main temperature sensor reading
▲	Push + button	X1 22.0c	X2 19.0c	X2 - limit temperature sensor reading
▲	Push + button	X2 19.0c	Y1 5.0	Y1 – cooling analogue output value in Vdc to one decimal point
▲	Push + button	Y1 5.0	Y2 0.0	Y2 – cooling analogue output value in Vdc to one decimal point.
▲	Push + button	Y2 0.0	LIM  53 REL	Control sequence diagram and application number display.
▲	Push + button	LIM  53 REL	Y1 Y2 ☒ X1	Back to main display.

Values shown are either default values or nominated for information only