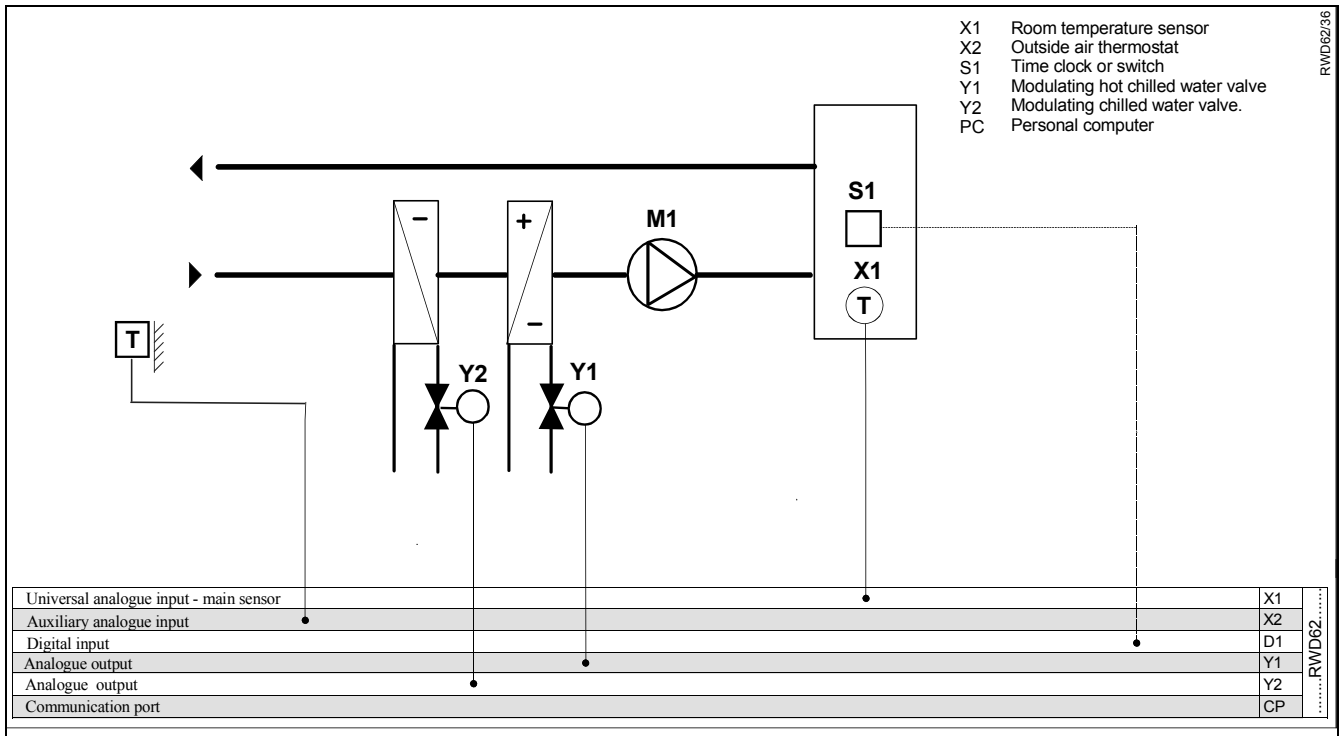


RWD62 Universal Controller
Application 36
W / S mode selection - digital

Room temperature control
 Hot water control valve
 Chilled water control valve

- Control (P or PI)
- Room temperature control
- Proportional control (0..10Vdc) of the hot water valve.
- Proportional control (0..10Vdc) of the chilled water valve.
- Winter / Summer selection of heating or cooling operation of Y1 via digital input
- Optional day / night set point adjustment .



Supplemental features

Control

- Room temperature sensor can be selected as Ni1000, Pt1000, or active sensor.
- Adjustable dead zone with separate heating and cooling set points.
- Adjustable proportional band of analogue output Y1.
- Adjustable proportional band of analogue output Y2.
- Adjustable Integral action function selection and adjustment.
- Duct temperature sensor can be selected as Ni1000, Pt1000, or active sensor.
- Outside air thermostat provides the digital input for winter / summer selection.

Operating modes

- Day / night set points can be selected via time clock or switch.
- Winter / summer selection of heating and cooling mode of the Y1 output as selected by digital input into auxiliary input X2 sensing outside air temperature.
- The water supplied to the coil must be changed from heating water to chilled water and interlocked with the winter / summer change over function

Description of operation

The temperature sensor senses the room conditions and on a fall in temperature the RWD62 via Y1 analogue output modulates the hot water valve as determined by the heating set point and proportional band (XP) setting.

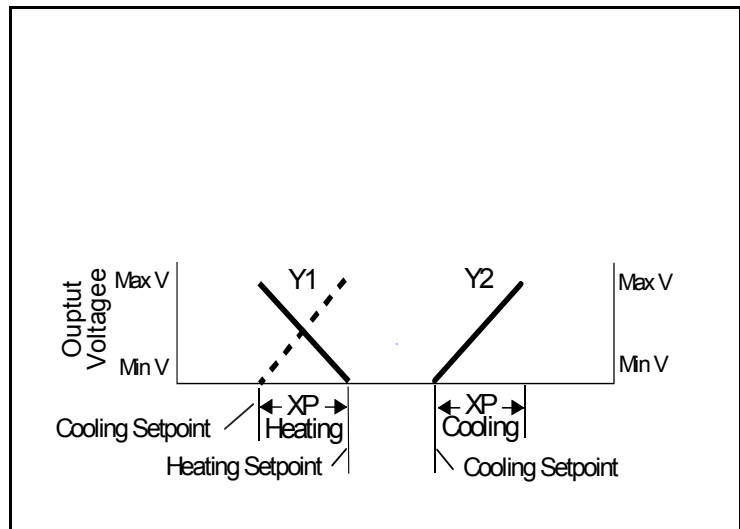
On a rise in temperature the RWD62 via the Y2 analogue output modulates the chilled water valve as determined by the cooling setpoint and the proportional band (XP) setting

The auxiliary thermostat connected to (X2) senses the outside air temperature, and when the temperature exceeds the thermostat set point, the controller summer set point is selected, and Y1 output is changed from heating to cooling.

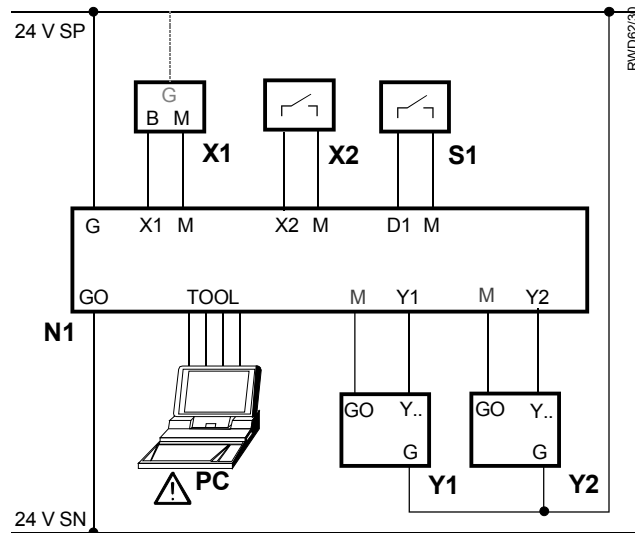
This results in extra cooling capacity during summer.

Heating and cooling sequences

Function diagram



Connection diagram



RWD62

- N1 RWD62 controller
- X1 Main temperature sensor
- X2 Outside air thermostat
- S1 Time clock or switch
- Y1 Heating / cooling control valve with 0..10Vdc input
- Y2 Cooling control valve with 0..10Vdc input
- PC Personal computer

Main Display

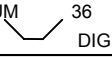
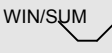
The main display shows ,

- Y1 output in Volts dc. (0..10V = 0..100% range)
- Y2 output in Volts dc. (0..10V = 0..100% range)
- Whether day or night set point is selected. (α = day, ζ = night)
- X1 value (room temperature) in ° C.

Other displays are available by pressing the + button, and the various displays are listed below in sequence from the main display.

On entering any of the four set point displays, the setpoint on display can be adjusted by pushing the ● enter/save button, increase value by pressing the ▲+ button or decrease the value by pressing the ▼- button, and when the required value is reached, press the ●enter/save button to save the new value.

The alternative displays return to the main display after 20 seconds.

Press buttons	Action	Current display	Selected display	Selected display comments.
▲	Push + button	Y1 Y2 α X1	Y1 SP – h α 20.0c	Y1 heating day set point.
▲	Push + button	Y1 SP – h α 20.0c	Y2 SP – c α 25.0c	Y2 cooling day set point.
▲	Push + button	Y2 SP – c α 25.0c	Y1 SP – h ζ 16.0c	Y1 heating night set point.
▲	Push + button	Y1 SP – h ζ 16.0c	Y2 SP – c ζ 32.0c	Y2 cooling night set point.
▲	Push + button	Y2 SP – c ζ 32.0c	X1 22.0c	X1 - main temperature sensor reading
▲	Push + button	X1 22.0c	X2 19.0c	X2 - limit temperature sensor reading
▲	Push + button	X2 19.0c	Y1 0.0	Y1 – heating analogue output value in Vdc to one decimal point
▲	Push + button	Y1 0.0	Y2 5.0	Y2 – cooling analogue output value in Vdc to one decimal point.
▲	Push + button	Y2 5.0	WIN/SUM  36 DIG	Control sequence diagram and application number display.
▲	Push + button	WIN/SUM  36 DIG	Y1 Y2 α X1	Back to main display.

Values shown are either default values or nominated for information only