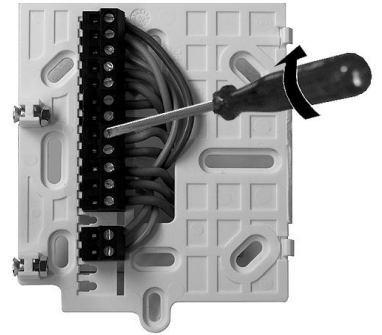
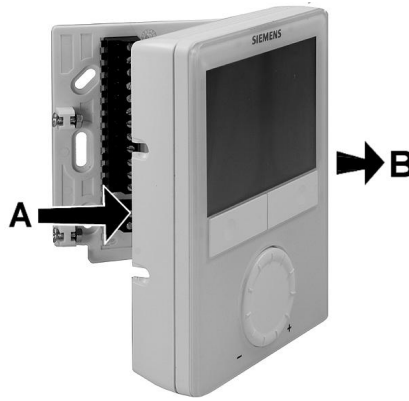
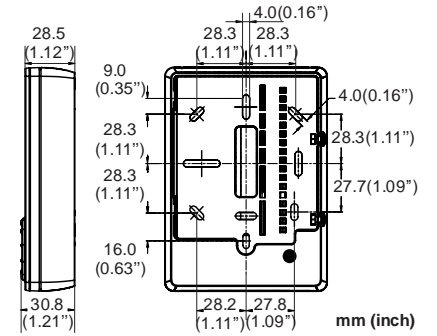
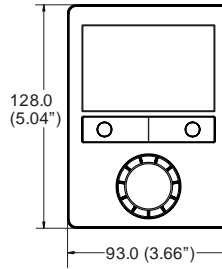
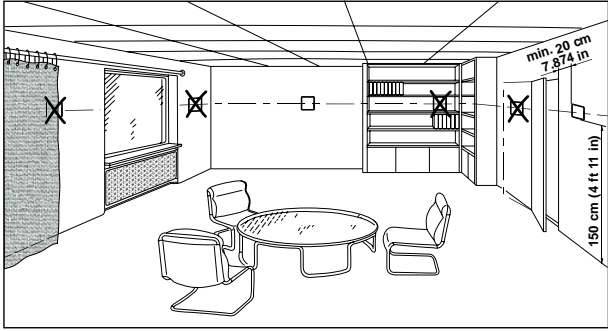


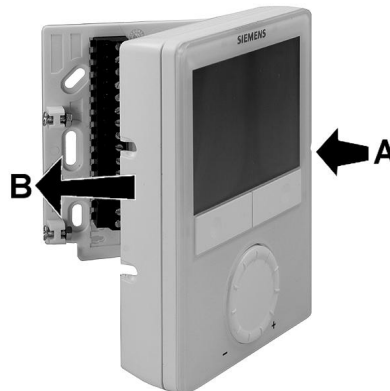
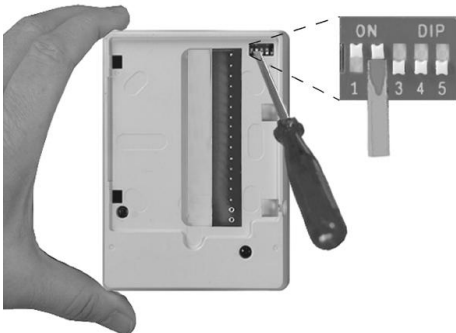
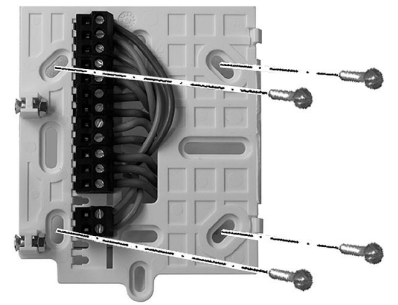
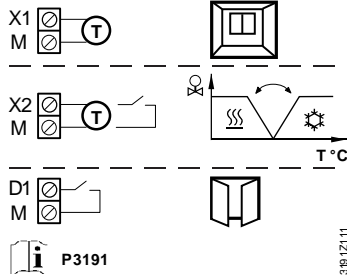
RDG100KN



Max. 1 x 2.5 mm² (1 x 14 gauge)
Max. 2 x 1.5 mm² (2 x 16 gauge)



Max. 80 m (262 feet)



				<p>1) ① ⑥</p> <p>2) a Output → 2-pos or 3-pos</p> <p>3) </p> <p>4) </p> <p>5) L, N 230 VAC: → P01...Pn</p>
a Outputs	2-pos (PWM)	3-pos		
① 2-pipe	V1	Y1	▲ Y1/▼ Y2	

a Outputs	2-pos 2-pos (PWM)	2-pos (PWM)	3-pos	3-pos 2-pos (PWM)	3-pos 3-pos				
② 2-pipe & el. heater	V1	Y1	Y3	▲ Y3/▼ Y4	▲ Y1/▼ Y2	Y3	▲ Y1/▼ Y2		
③ 2-pipe & radiator									
④ 4-pipe									
⑤ 2-stage									

a Outputs	2-pos 2-pos 2-pos (PWM)	2-pos 2-pos 3-pos (PWM)					
⑥ 4-pipe & el. heater	V1/E1	Y1 Y2	Y1 Y2	▲ Y3/▼ Y4			
				KNX Programming mode min. 6 s ① ... ④			

	en	de	fr	it	es	nl	tr
①	2-pipe fan coil	2-Rohr Ventilator-konvektor	Ventiloconvecteur 2 tubes	Fan coil 2 tubi	Fancoil a dos tubos	2-pijps fan coil	2 borulu fan coil
②	2-pipe & el. heater	2-Rohranwendung & Elektroheizung	Application 2 tubes & batterie électrique	Fan coil 2 tubi con batteria elettrica	2 tubos & batería eléctrica	2-pijps + elektrische verwarmers	2 borulu & elk. Isitici
③	2-pipe & radiator	2-Rohranwendung & Radiator	Application 2 tubes & radiateur	Fan coil 2 tubi e radiatore	2 tubos & radiador	2-pijps + radiator	2 borulu & radyatör
④	4-pipe fan coil	4-Rohr Ventilator-konvektor	Ventiloconvecteur 4 tubes	Fan coil 4 tubi	Fancoil a 4 tubos	4-pijps fan coil	4 borulu fan coil
⑤	2-stage	2-Stufen-Anwendung	Application à 2 étages	2 stadi	2 etapas	2-traps	2 kademe
⑥	4-pipe & el. heater	4-Rohranwendung & Elektroheizung	Application 4 tubes & batterie électrique	Fan coil 4 tubi con batteria elettrica	4 tubos & batería eléctrica	4-pijps + elektrische verwarmers	4 borulu fan coil & elk. Isitici