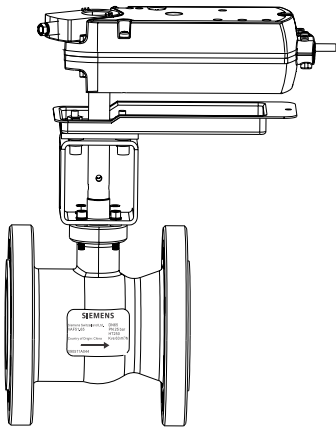
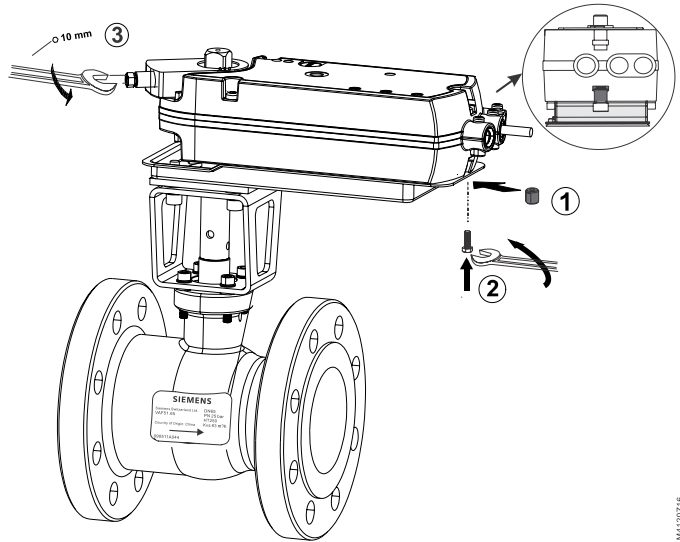


5a



M4120Z14

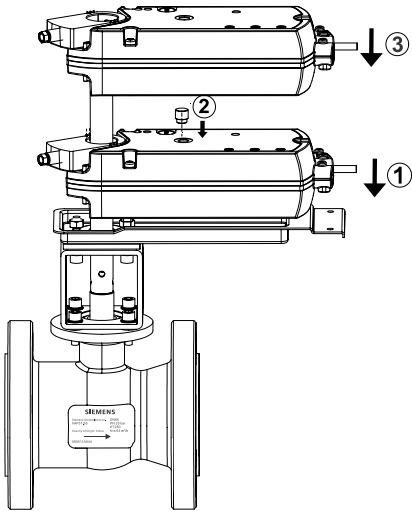
6a



M4120Z16

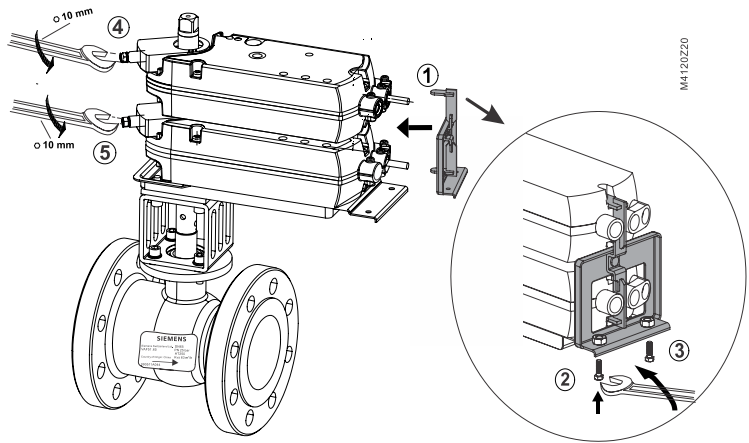
VAF51.150-360 + 2*GIB..1E

5b

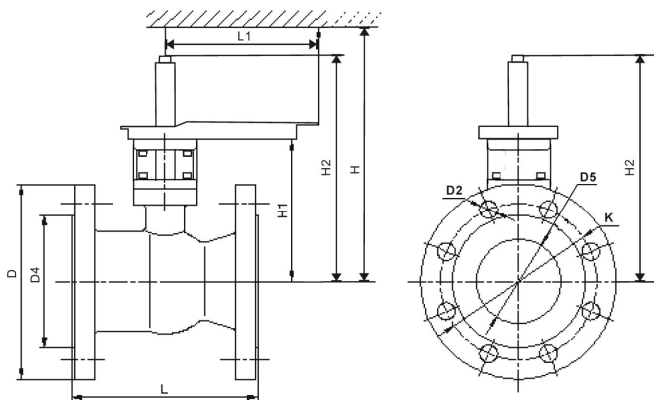


M4120Z17

6b



M4120Z20



M4120M01

- DN = Nominal size
- H = Total actuator height plus minimum distance to the wall or the ceiling for mounting, connection, operation, service, etc.
- H1 = Dimension from the pipe centre to install the actuator (upper edge)
- H2 = Dimension from the pipe centre to the top of the shaft

Type	DN	L [mm]	L1 [mm]	Ø D [mm]	Ø D2 [mm]	Ø D4 [mm]	Ø D5 [mm]	K [mm]	H	H1 [mm]	H2 [mm]	kg
VAF51.65-63	65	190	205	185	18	120	82	145	> 450	184	300	17
VAF51.80-100	80	190	205	200	18	136	82	160	> 450	184	300	18.5
VAF51.100-160	100	230	205	235	23	162	102	190	> 460	194	310	29
VAF51.125-200	125	254	205	270	26	188	125	220	> 470	201	319	41
VAF51.150-360	150	267	236	300	26	215	154	250	> 600	219	412	55