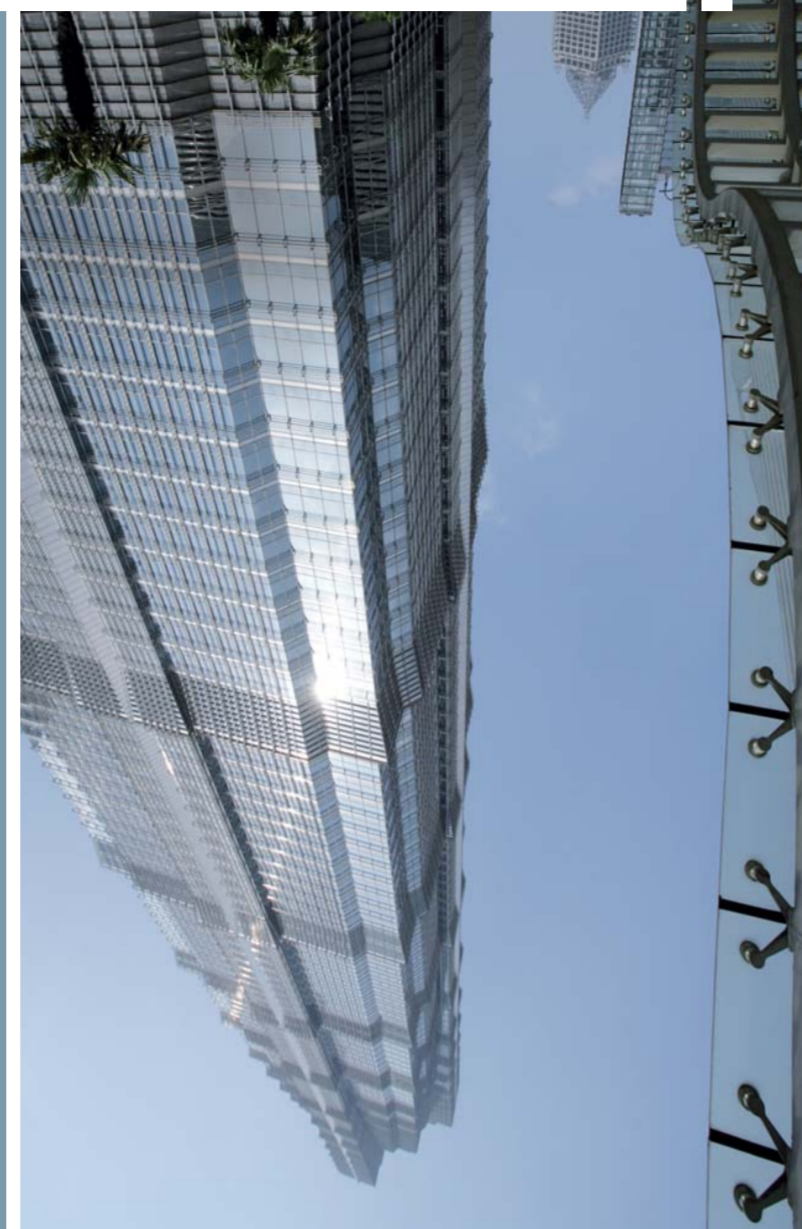


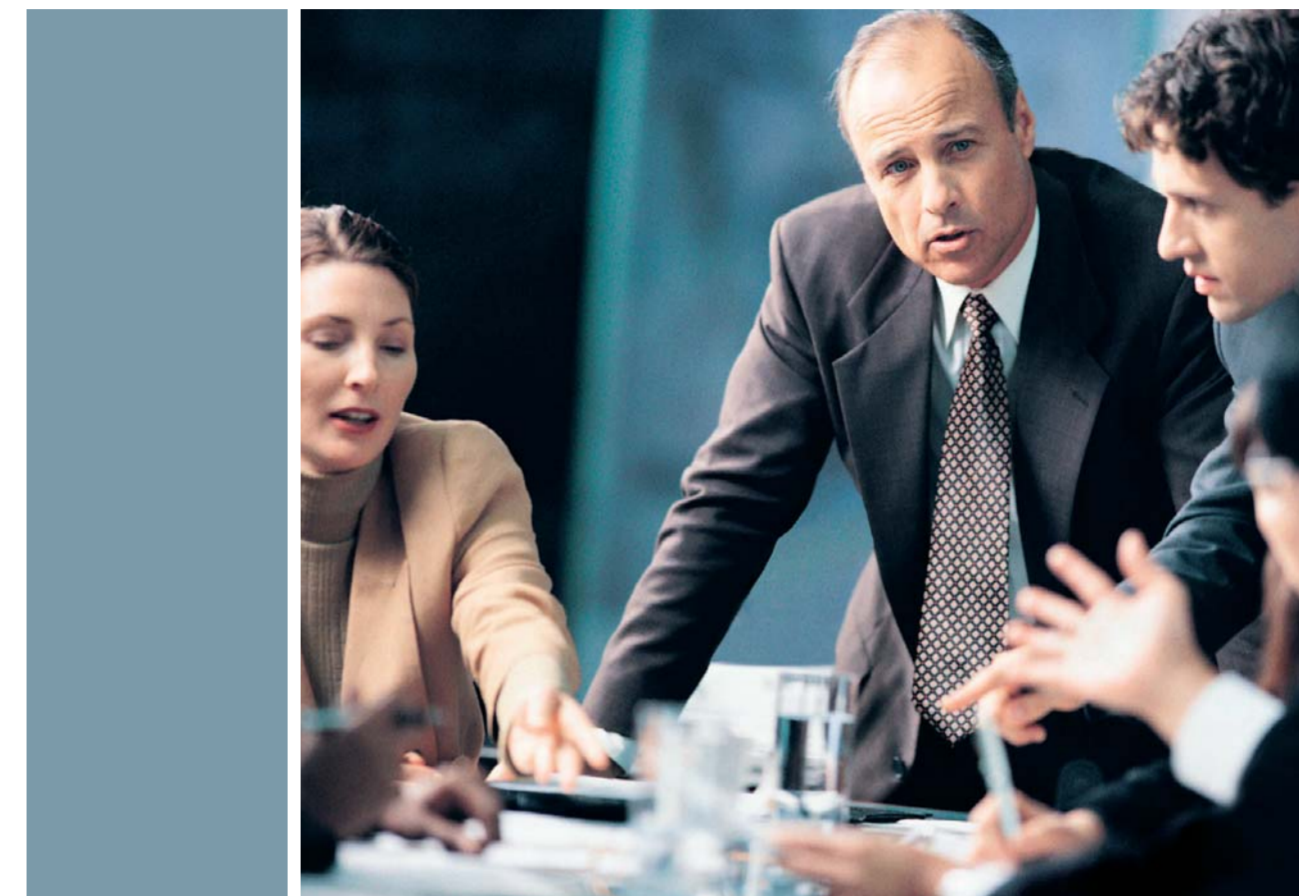
Planning Guide
SIPORT



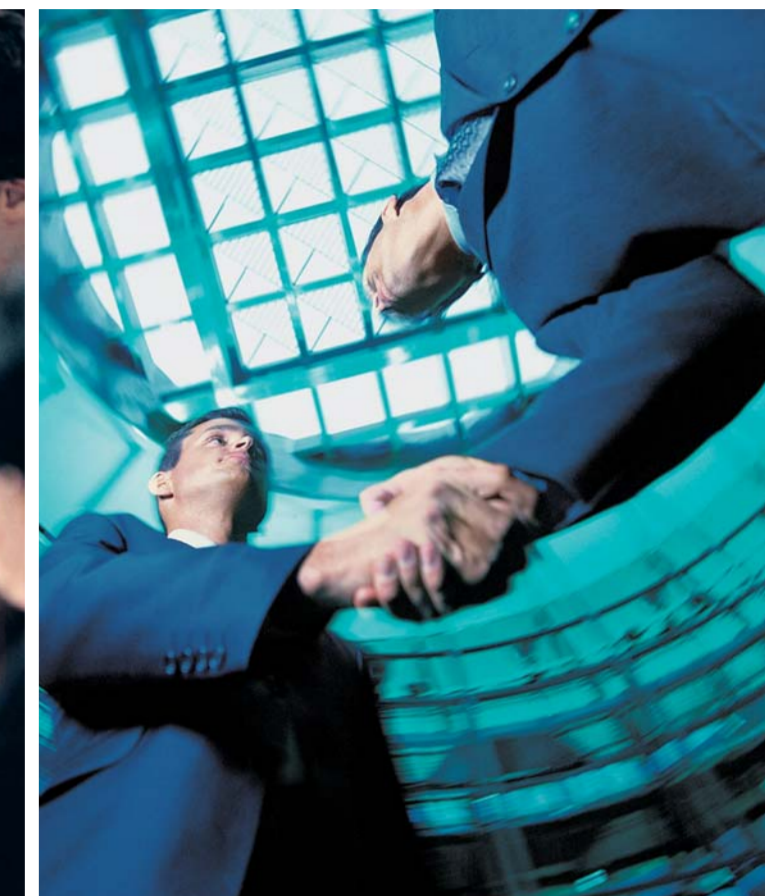
Siemens Switzerland Ltd
Building Technologies Division
International Headquarters
Gubelstrasse 22
CH-6301 Zug
Tel +41 41 724 24 24
Fax +41 41 724 35 22

The information in this document contains general descriptions of technical options available, which do not always have to be present in individual cases. The required features should therefore be specified in each individual case at the time of closing the contract.

Subject to change • Order no. 0-92153-en •
© Siemens Switzerland Ltd • Printed in Switzerland • 10809



Siemens is a reliable partner from planning and project management to training and maintenance



Reliable and flexible access control

■ Globally networkable

SIPORT™ is globally networkable – across continents and time zones. The system can make use of existing network structures without requiring upgrades. You can use SIPORT to solve access control issues in your company either locally for a single branch or for numerous networked branches around the globe.

■ Open and extensible: equipped for the future

SIPORT fits efficiently in your company's process organization. The access control solution can be simply integrated in the existing computing environment and can be extended to accommodate increasing customer requirements due to its open system architecture, for example, to include time processing, accessibility with wage and accounting systems, visitor management and much more.

■ Extensive integration options

Advanced management systems compile important alarm messages for the operator in a unified user interface with SIPORT. This improves operability, overview and faster responses to incidences. Possible solutions could include a Danger Management System such as the MM8000 or the GMA Manager®, or a building management system such as the DESIGO™ from Siemens.

■ Reliable and secure

SIPORT consists solely of high-quality industrial products. Security is of primary concern. All customer data relevant to access is saved multiple times in different locations on the door control unit or reader. If the PC or network fails, then the local door control units or readers provide trouble-free access control.

SIPORT supports the use of a globally valid company card, which can be used for PC login. In addition to this, data is transmitted in encoded form at all levels: between ID readers, door controllers, operating stations and servers. This serves to increase the level of security in the company as well.

■ Modular and scalable

SIPORT can be extended to accommodate increasing customer requirements with regards to size and functionality due to its modular structure. The number of ID cards (1,000,000) and door control units or ID readers (up to 8192 per server) can be extended without extra effort.

■ A cost-saving and secure investment

SIPORT allows for migration of existing systems. Existing hardware can be updated with system software upgrades and extended to include new hardware components (reverse compatibility). This serves to protect customer investments.

Data is managed centrally with SIPORT. Thus the effort and expenses for administration and backup as well as selection of suitable hardware are focused in a central location and not spread across many branches.

■ Greater ease of use

SIPORT is also global with regard to operation. Various users can log in to the same workstation using their preferred languages (multilingual login, e.g. German, English, French, etc.) and thus work effectively. Message texts can be issued in two languages (such as English and Arabic or German and Chinese).

■ Working together with Siemens: a full partnership for comprehensive solutions

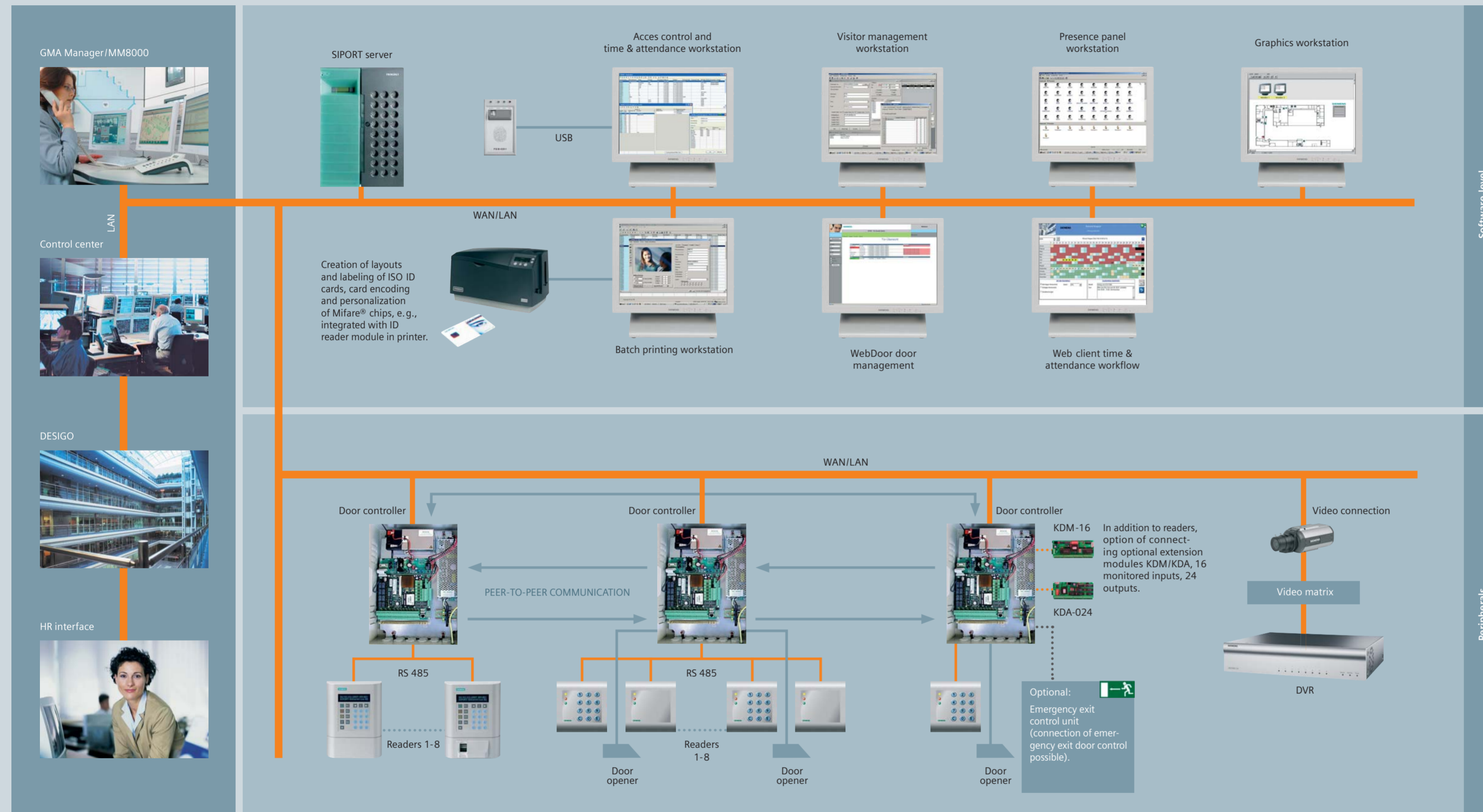
At Siemens we work closely with our customers from day one. A project consists of planning, configuration, installation and commissioning, all of which are agreed upon with our customer. Siemens also offers user training, equipment maintenance, financing options and user support depending on individual customer and project requirements. Siemens is a competent and reliable partner, a partner with resources and a global presence, which are available to you as our customer not only now, but in the future as well.

Planning Guide SIPORT – acces control and time & attendance

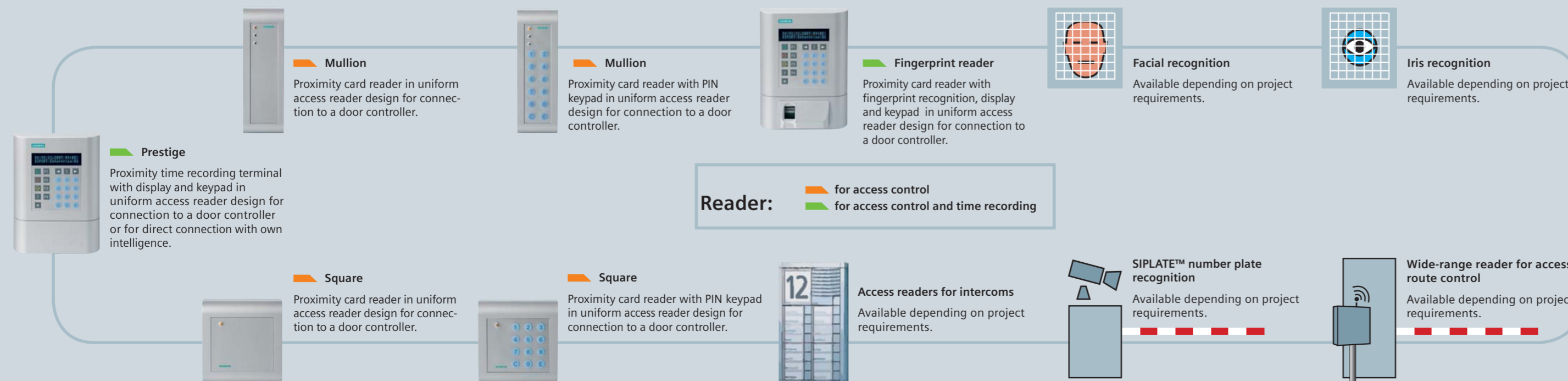
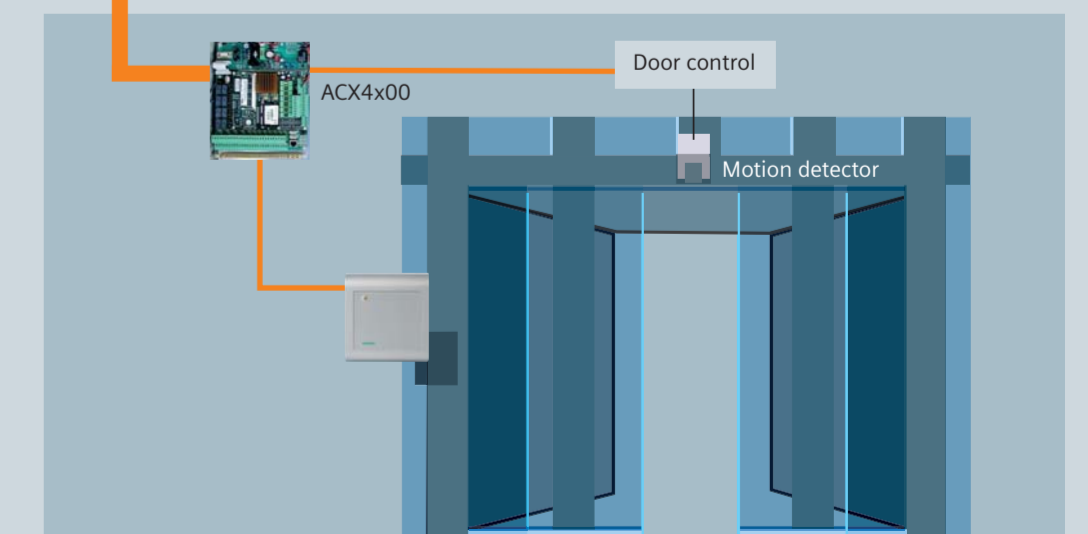
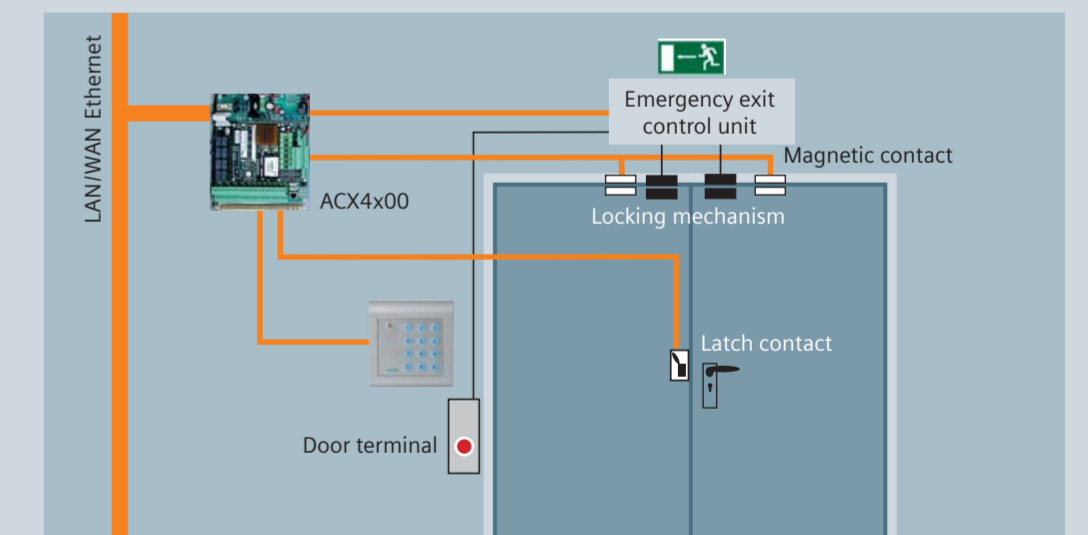
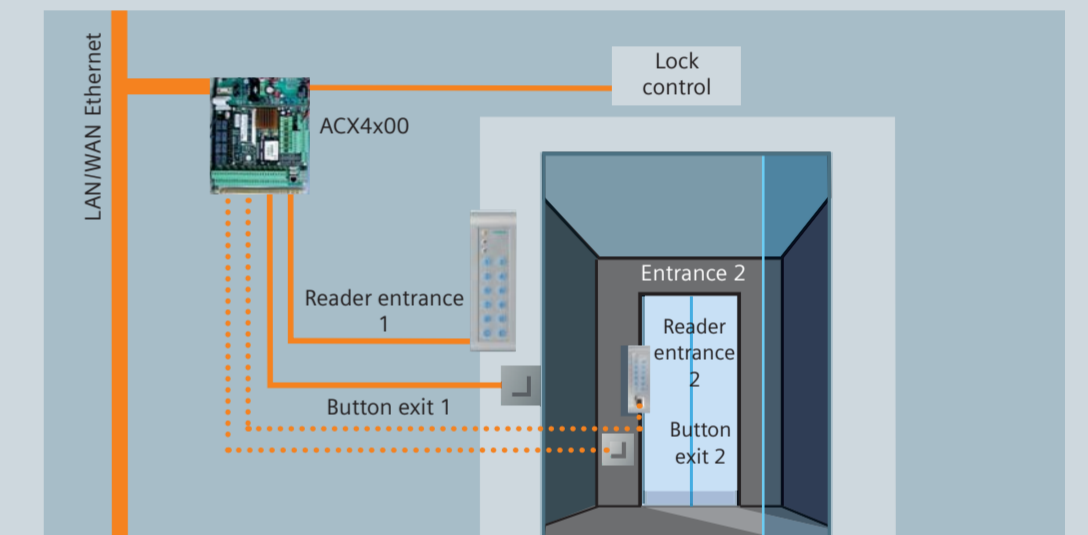
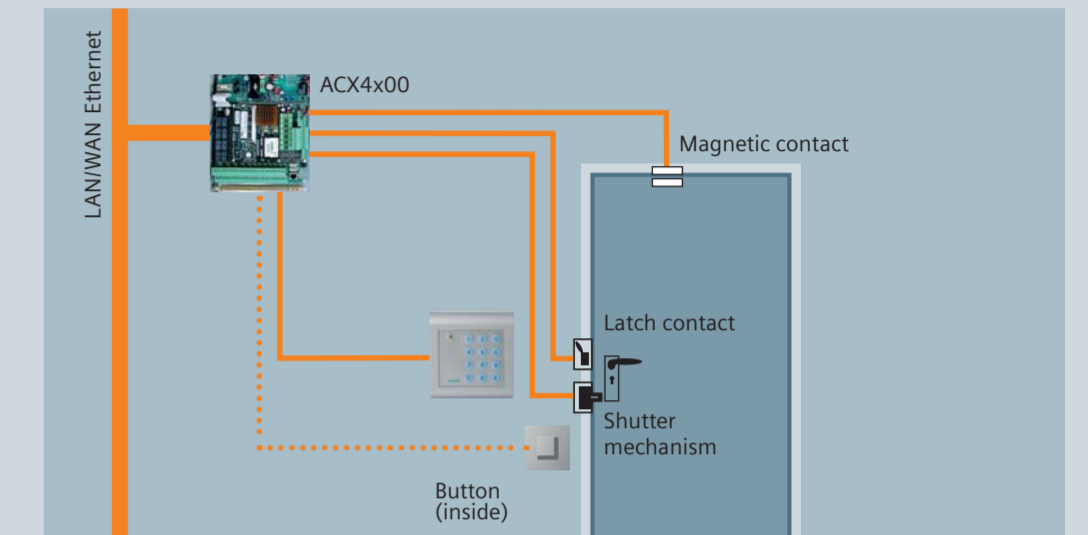
Answers for infrastructure.



SIPORT™ network structure – system functionalities and networking examples



Wiring/door variants



Other wiring variants (Fig. above): fire compartment door, emergency exit door, outside door with motorized lock, lift.