

Sinteso™ Cerberus™ PRO

FDCAI221

Addressable alarm indicator



External alarm indicator for the automatically addressed detector line FDnet/C-NET

- Addressable external alarm indicator
- For optical indication of automatic fire detectors in false ceilings, etc.
- Freely configurable
- Communication via FDnet/C-NET (addressed individually)
- Modern, flat design
- Screwless connection terminals

Features

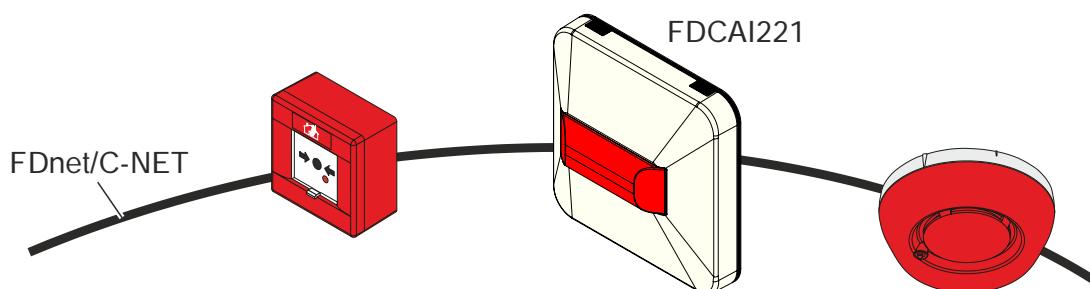
- Visible and configurable alarm indicator
- Integrated line separator: The defective part on the detector line is located by the fire control panel and isolated between two FDnet/C-NET devices.
- Individually addressed for FDnet/C-NET

Eco-friendly

- Environmentally friendly processing
- Reusable materials
- Electronic parts and synthetic materials can be easily separated

FDCAI221 addressable alarm indicator

- Optical repeat signal for fire detectors on the same detector line: Enables the rapid identification of alarm-transmitting detectors which are difficult to access or are not immediately/easily visible.
- Addressing and activation via the control panel: The alarm indicator is connected to the detector line in the same way as a detector.
- The alarm indicator has 2x 2 connections for the detector line.
- The alarm indicator includes LEDs which light up as soon as the relevant fire detector triggers an alarm.
- Fields of application:
 - Alarm indicator for non-visible detectors, e.g., in false ceilings, offices, warehouses, etc.
 - For use in dry areas
 - Corridor indication for radio-controlled devices or indication over the doors of monitored rooms
 - Easy migration of existing MS8 detector systems to FDnet for modernization purposes



Type Overview

Type	Designation	Order number	Weight [kg]
FDCAI221	Addressable alarm indicator	S54370-F10-A1	0.049

Accessories

AI330	Adapter frame	BPZ:3169430001	0,018
DBZ1190-AA	0.5 mm ² , 4-pin micro terminal	BPZ:4677080001	0,001
DBZ1190-AB	2.5 mm ² , 3-pin connection terminal	BPZ:4942340001	0,001

Product documentation

Document ID	Title
008164	Equipment overview Sinteso™ Detector system FD20
A6V10225323	Equipment overview Cerberus™ PRO Detector system FD720
008331	List of compatibility (for 'Sinteso™' product line)
A6V10229261	List of compatibility (for 'Cerberus™ PRO' product line)
A6V10258110	Technical manual Addressable alarm indicator FDCAI221
A6V10258105	Installation Addressable alarm indicator FDCAI221, Additional frame AI330

Related documents such as environmental declarations, CE declarations, etc., can be downloaded at the following Internet address:

<http://siemens.com/bt/download>

Notes

Mounting

Mounting options

- The addressable alarm indicator is designed for recess-mounted cable entry as standard. It is mounted directly on the wall using two screws.
- The adapter frame AI330 must also be mounted for the following applications:
 - For surface-mounted cable entry or duct entry
 - To increase the loop space
 - As an adapter for sockets of different origins

Disposal




The device is considered an electronics device for disposal in terms of European Directive 2012/19/EU and may not be disposed of as domestic garbage.

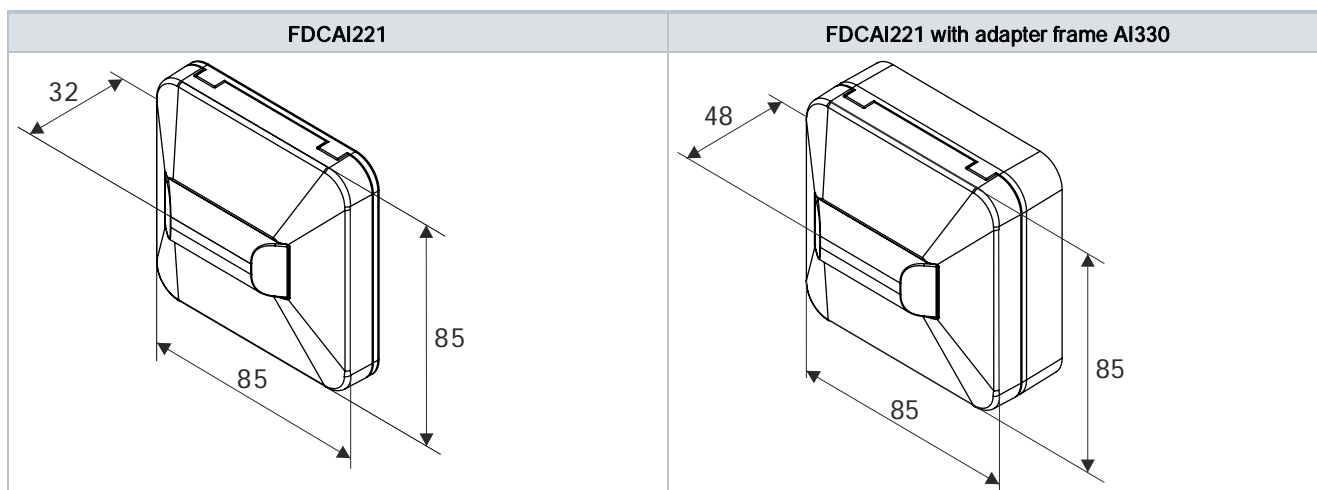
- Dispose of the device through channels provided for this purpose.
- Comply with all local and currently applicable laws and regulations.

Technical data

	FDCAI221
Operating voltage	DC 12...33 V
Operating current (quiescent)	240...400 μ A
Operating temperature	-10...+55 °C
Storage temperature	-30...+70 °C
Air humidity	\leq 95 % rel.
Communication protocol	FDnet/C-NET
Color	~RAL 9010 pure white
Protection category (IEC 60529)	IP40
Standards	EN 54-17, EN 54-18
Approvals	
• VdS	G210015
System compatibility	
• FDnet	FD20, AlgoRex, SIGMASYS
• C-NET	FD720

10  0786	FDCAI221	Siemens Switzerland Ltd; Gubelstrasse 22 CH-6301 Zug Technical data: see doc. A6V10258110
FDCAI221 - Input/output device incl. short-circuit isolator for use in fire detection and fire alarm systems installed in buildings.		
305/2011/EU (CPR): EN 54-17 / EN 54-18 ; 2014/30/EU (EMC): EN 50130-4 / EN 61000-6-3 ; 2011/65/EU (RoHS): EN 50581		
The declared performance and conformity can be seen in the Declaration of Performance (DoP) and the EU Declaration of Conformity (DoC), which is obtainable via the Customer Support Center: Tel. +49 89 9221-8000 or http://siemens.com/bt/download		
DoP No.: 0786-CPR-20937; DoC No.: CED-FDCAI221		

Dimensional drawings



Issued by
Siemens Switzerland Ltd
Building Technologies Division
International Headquarters
Gubelstrasse 22
CH-6301 Zug
Tel. +41 41-724 24 24
www.siemens.com/buildingtechnologies

© Siemens Switzerland Ltd, 2010
Technical specifications and availability subject to change without notice.