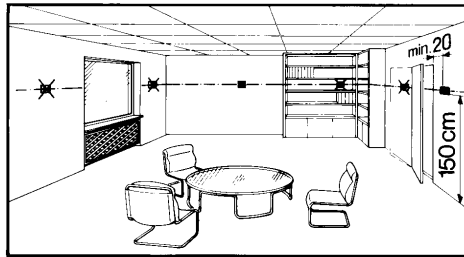
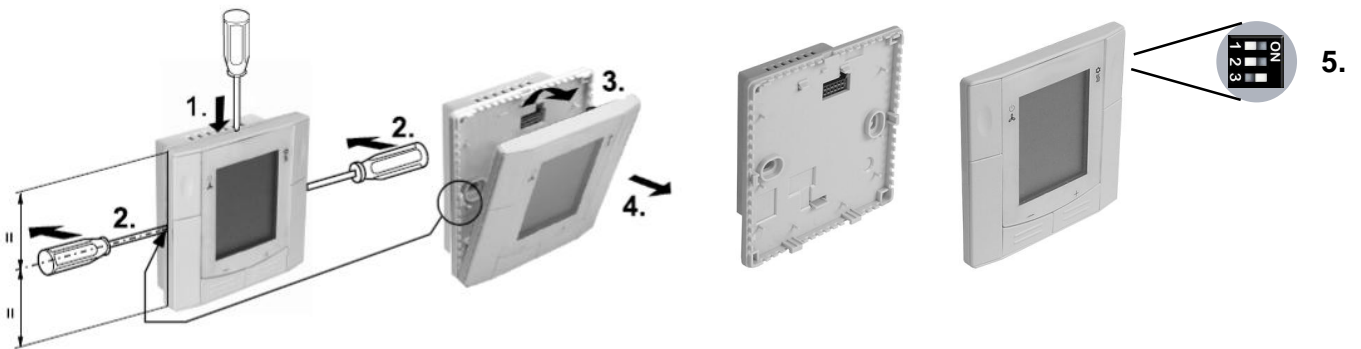


RDU341

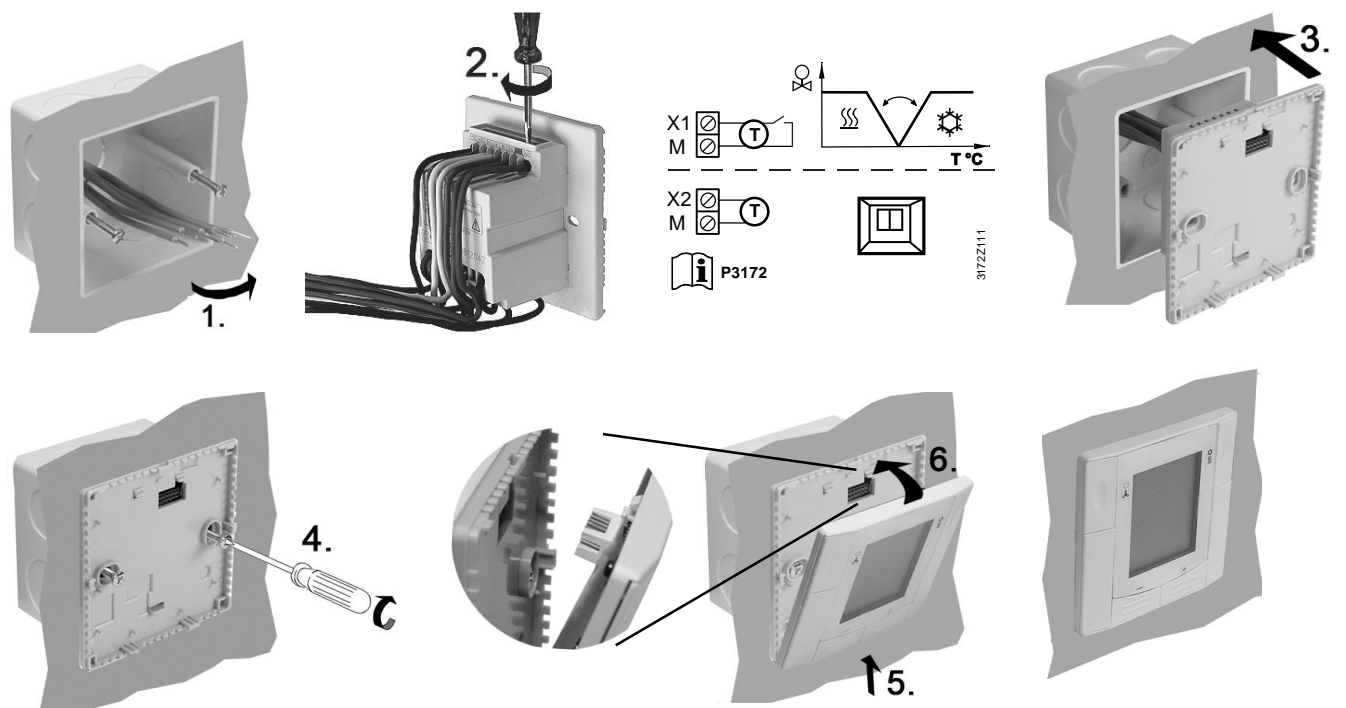
Mounting Location of Thermostat / Montageort des Thermostaten / 温控器安装位置



Preparation and Deliverables / Vorbereitung und durchzuführende Arbeiten / 安装前准备



Semi-Flush-Mounting / Unterputz-Montage / 嵌入式安装



Wiring Diagrams / Anschlussschaltpläne / 接线图

<p>Application / Applikation / 应用</p> <p>G - G0 AC 24 V For US installations, use Class 2 rated power supplies. For other installations, use circuit breakers with rated current of no more than 10 A.</p> <p>Y10 = DC 0...10 V normal</p> <p>en de zh</p>	<p>Application / Applikation / 应用</p> <p>G - G0 AC 24 V L - N AC 230 V For US installations, use Class 2 rated power supplies. For other installations, use circuit breakers with rated current of no more than 10 A.</p> <p>Y10 = DC 0...10 V normal</p> <p>en de zh</p>
--	--

<p>DC 0...10 V Output / Ausgang / 输出模式 (DIP 3)</p>	<p>Y10 = DC 0...10 V normal / 正常 (default)</p>	<p>KNX Programming mode</p> <p>min. 6 s</p>
	<p>Y10 = DC 10...0 V inverted / 倒置</p>	<p>Application</p> <p>→ KNX Bus</p>

Legend	Legende	图例
N1 RDU341	RDU341	RDU341
Y1 DC 0...10 V actuator for heating or cooling	DC 0...10V-Antrieb für Heizen / Kühlen	DC 0...10 V 执行器，用于制冷或制热
E1 Electrical heater	Elektrische Heizung	电加热
S1 Operating mode switch-over contact (e.g. key card)	Betriebsart-Umschaltung (z.B. Zutrittskarte)	工作模式转换开关 (例如：门卡)
B2 External room / return air temp. sensor	Externer Raum- / Rückluft-Temp. Fühler	外置/回风温度传感器

Selection of control sequence / Auswahl der Steuersequenz / 选择控制序列

→ P3172

Dimensions / Abmessungen / 尺寸