

## Installation Instructions

### Model FTS Series

FireFighters' Telephone Stations

#### INTRODUCTION

The **SIEMENS** FTS Series of FireFighter's Telephone Stations consists of the FTS, FTS-P, FTS-C, FTS-CL and FTS-PCL models. Any of the models in the FTS Series can mount into either the FB-300 flush backbox or the FB-301S surface backbox. The backboxes are mounted on the wall of the facility in accordance with local mounting codes in locations that provide easy access.

#### WIRING

1. Disconnect the plug header from the rear of the telephone assembly. (Refer to Figure 1.)

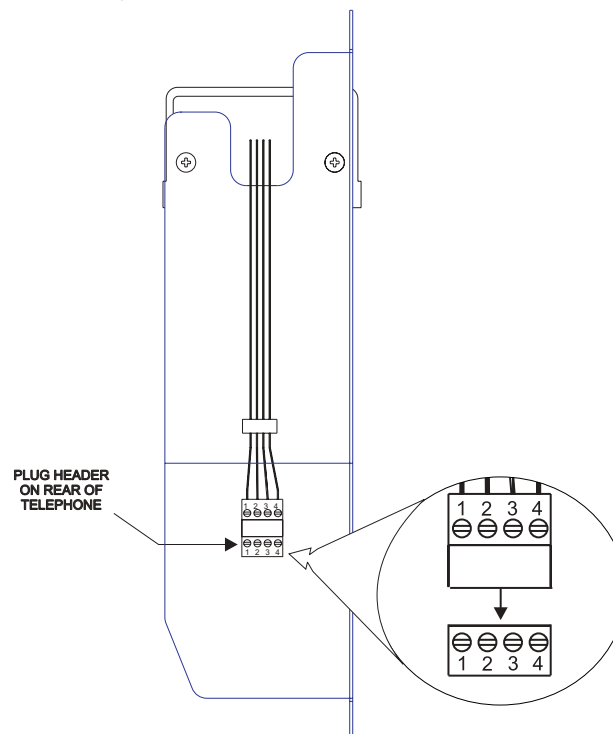


Figure 1  
Rear of FTS Series Telephone Assembly

2. Begin with terminal 1 on the FTS and wire it to the negative position on the TZC-8B for the selected zone. (Refer to Figure 2 and the TZC-8B Installation Instructions, P/N 315-034110.)
3. Continue with terminal 2 on the FTS and wire it to the positive position on the TZC-8B for the selected zone. (Refer to Figure 2 and the TZC-8B Installation Instructions, P/N 315-034110.)

4. If no additional FTS telephones are installed, leave the end-of-line resistor on terminals 3 and 4. If there are additional telephones installed on the selected zone, place the resistor on the last phone in the zone. (Refer to Figure 2.) In Canada, remove all EOLs and use EOL P/N 140-0347726 (mount using Model EL-33).
5. When wiring for the phone has been completed, replace the plug header on the rear of the telephone assembly.

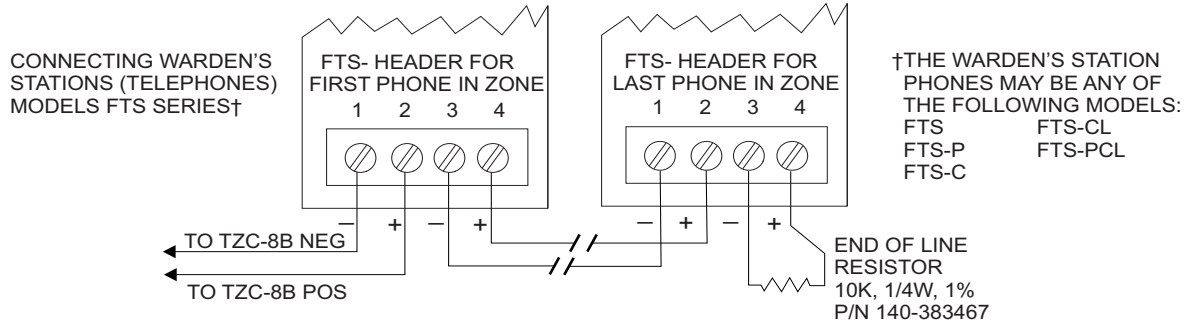


Figure 2  
FTS Series Wiring

**MOUNTING**

Mount the FTS-Series telephone assembly in either the FB-300S flush backbox, P/N 500-680587, or the FB-301S surface backbox, P/N 500-624388, as shown in Figure 3 using the two #6-32 screws supplied.

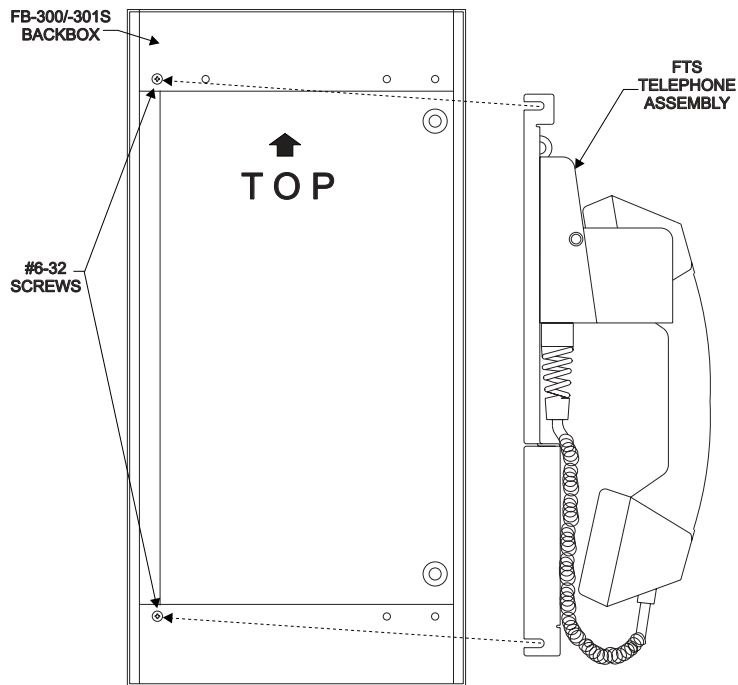


Figure 3  
Mounting the FTS Telephone Assembly

For CE applications in Cerberus E100 systems refer to  
Installation Instruction A24205-A334-B844 (English) or A24205-A334-A844 (German).