



SKT1.3

Signaling box

-
- **Small dimensions**
 - **Simple installation, surface or recess mounting**

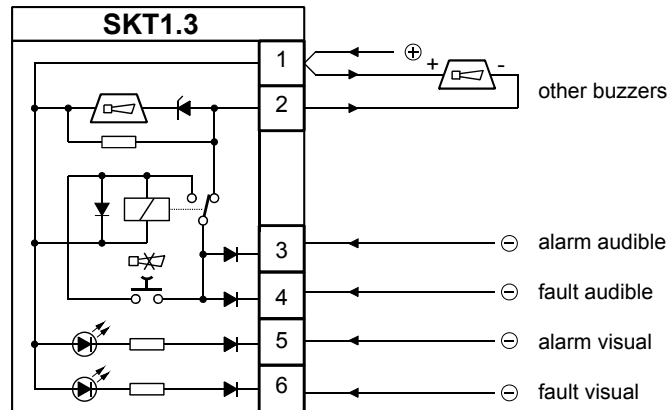
The signaling box SKT1.3 provides visual and audible signaling of operating conditions, e.g. alarm and fault signals, in danger detection and extinguishing systems.

The signaling box SKT1.3 contains two LED indicators with corresponding inscription fields, a buzzer and a button to cancel the buzzer.

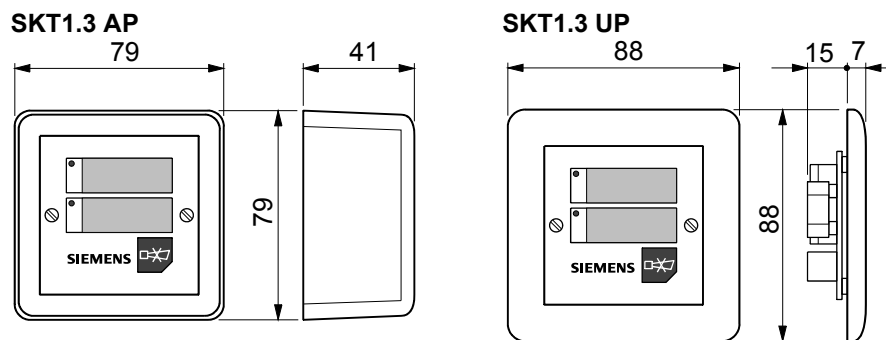
The following models are available:

- SKT1.3 UP with white recess frame for installation in a recess box
- SKT1.3 AP with white housing for surface mounting

Connections



Dimensions



Technical data

Operating voltage	18... 32 VDC
Operating current at 24 V	
– Buzzer	13 mA
– Buzzer ext. (terminal 2)	<100 mA
– 1 LED	8 mA
– Relay (Alarm acknowledged)	8 mA
Buzzer	
– Audio frequency	3 kHz ±15 %
– Volume level at 24 V	>60 dB/m
Operating temperature	–20... +50 °C
Protection category	IP50

Details for ordering

Type	Part no	Designation	Weight
SKT1.3 UP	4909400001	Signaling box (recess mounting)	0.106 kg
SKT1.3 AP	4909530001	Signaling box (surface mounting)	0.125 kg

Siemens Switzerland Ltd
 Industry Sector
 Building Technologies Group
 International Headquarters
 Fire Safety & Security Products
 Gubelstrasse 22
 CH-6301 Zug
 Tel. +41 41 724 24 24
www.siemens.com/buildingtechnologies

© 2009 Copyright by
 Siemens Switzerland Ltd
 Data and design subject to change without notice.
 Supply subject to availability.