

SIEMENS

Installation Instructions Model PFT Series

Portable FireFighters' Telephones (500-699427 / S24235-B130-A1)

INTRODUCTION

The PFT Series FireFighters' Telephones include models PFT and PFT-P, as shown in Figure 1. Both models have a jack at the end of the phone that plugs into either an FJ-303(SS) or FJ-304(SS) plate. Model PFT-P has a "push-to-talk" button.



The PFT Series is compatible with the FireFinder-XLS and the E100 System.

INSTALLATION

The FJ-303(SS) and FJ-304(SS) plates are mounted into a standard electrical box (user supplied) in accordance with local codes. The FJ-303 has two fly leads (refer to Figure 3) and the FJ-304 has a terminal block (refer to Figure 4) which are wired to the TZC-8B. For further information, refer to the TZC-8B installation instructions, P/N 315-034110 / A24205-A334-B821.

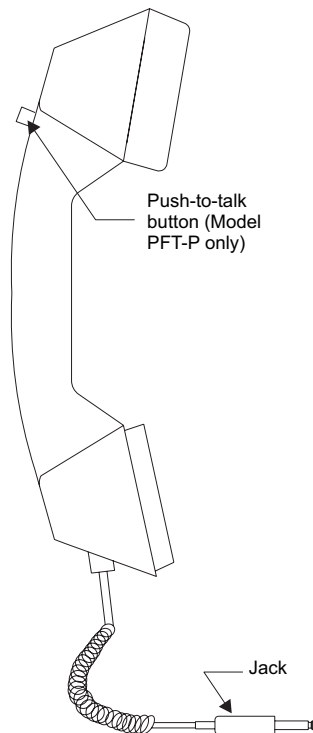


Figure 1
Model PFT Phone

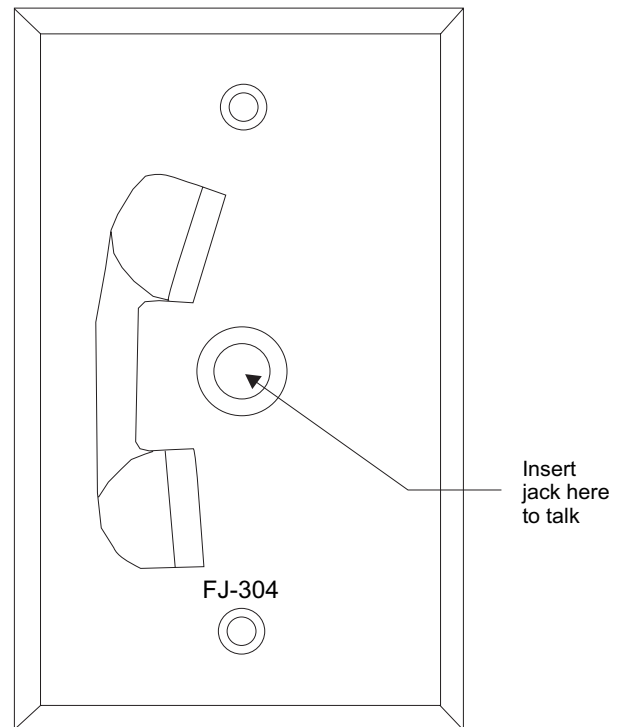
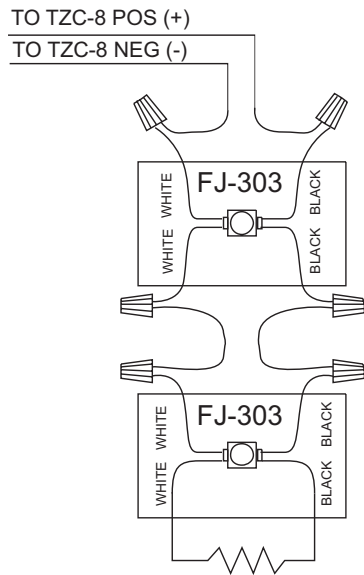


Figure 2
FJ-303(SS)/-304(SS) Plate

NOTES

1. All wiring must be in accordance with Article 760 of NEC or local building codes.
2. For additional information, refer to the TZC-8B Installation Instructions, P/N 315-034110 / A24205-A334-B821.
3. Remove the 10K EOL resistor from ALL FJ-303/-304 stations except the last station in the zone.
4. Wiring to be 18 AWG (Ø 0.75mm) minimum, 14 AWG (2.5mm²) maximum.



END OF LINE RESISTOR
 10K, 1/4W, 1%
 P/N 140-383647
 AT THE LAST
 STATION IN THE ZONE

NOTES

1. All wiring must be in accordance with Article 760 of NEC or local building codes.
2. For additional information, refer to the TZC-8B Installation Instructions, P/N 315-034110 / A24205-A334-B821.
3. Remove the 10K EOL resistor from ALL FJ-303/-304 stations except the last station in the zone.
4. Wiring to be 18 AWG (Ø 0.75mm) minimum, 14 AWG (2.5mm²) maximum.

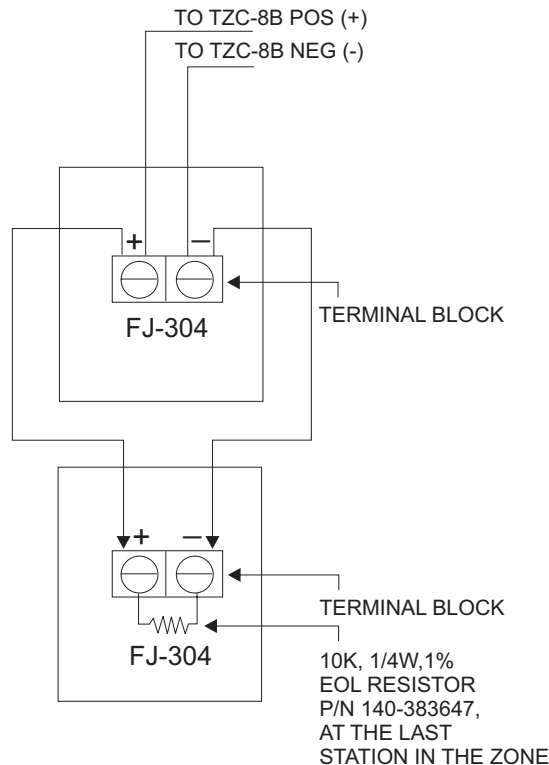


Figure 4
FJ-304 Wiring