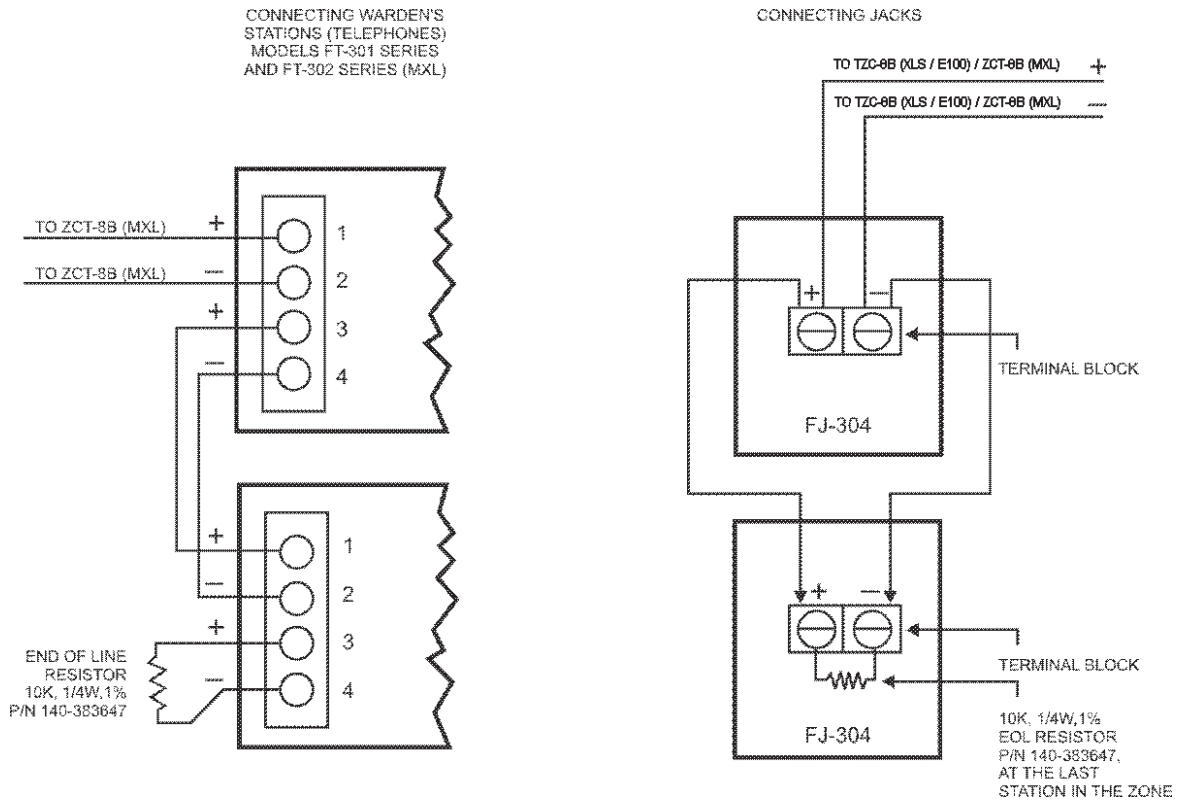


SIEMENS

Installation Instructions Model FJ-304 and FT Series

Telephone Jack and FireFighters' Phone Stations (500-692670 / S24235-B133-A1)



NOTES

1. All wiring must be in accordance with Article 760 of NEC or local building codes.
2. For additional information, refer to the CPV90 Installation Instructions, P/N 315-085444, ZCT-8B Installation Instructions (MXL), P/N 315-092105, or TZC-8 Installation Instructions (XLS / E100), P/N 315-034110 / A24205-A334-B821.
3. Use the FJ-304 Warden's Station only with the handset models PT-303, PT-304, PFT and PFT-P.
4. Remove the 10K EOL resistor from ALL FJ-304 stations except the last station in the zone. In Canada remove all EOLs, then use EOL P/N 140-03472 and mount using Model EL-33.
5. Wiring:
 - 18 AWG (\varnothing 0.75mm) minimum
 - 14 AWG (2.5mm²) maximum.

P/N 315-092673-3
A24205-A334-B800

Siemens Building Technologies
Fire Safety

Siemens Building Technologies, Inc.
8 Fernwood Road
Florham Park, New Jersey 07932

Siemens Building Technologies, Ltd.
2 Kenview Boulevard
Brampton, Ontario L6T 5E4 CN

Siemens AG
I BT DE FS SYS
D-81379 Munich