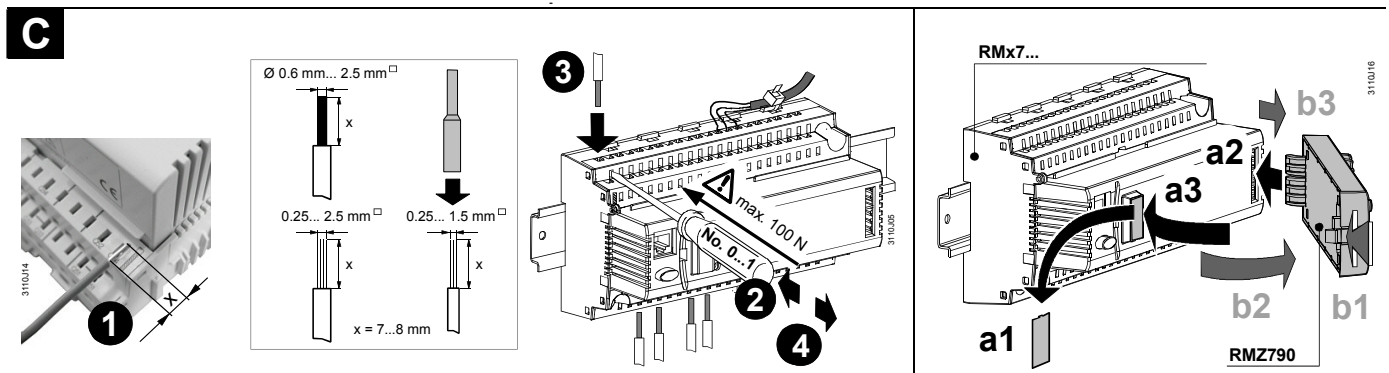
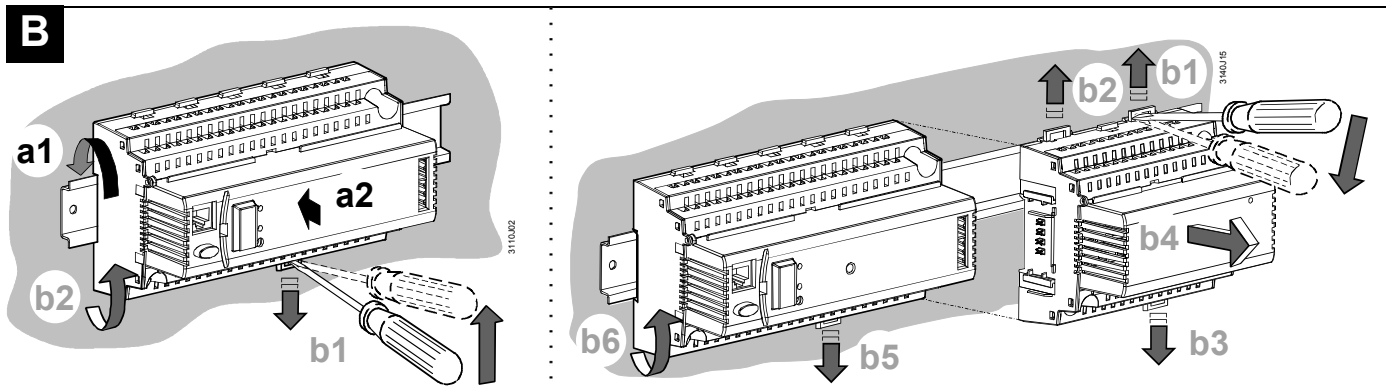
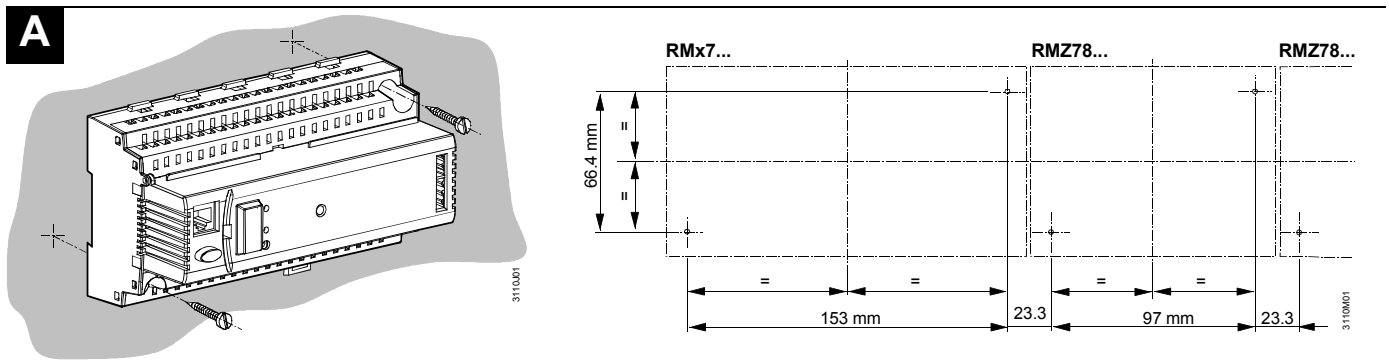
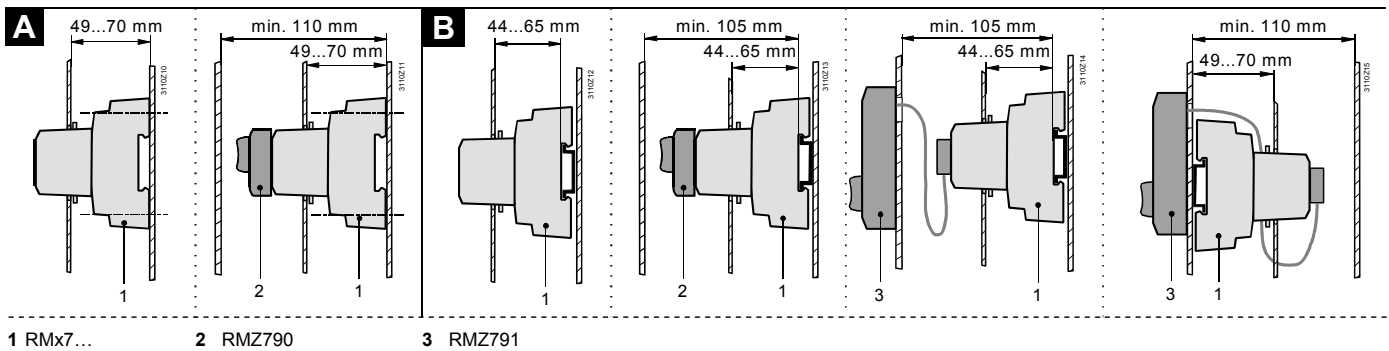




Fitting 安装



en Electrical installation

Ensure that the electrical installation complies with the relevant local safety regulations. Make wiring in accordance with the plant diagram. Each connection terminal can accommodate only one wire. Double terminals on the controller (□) are internally interconnected.

zh 电气安装

确保电气安装符合当地相关安全规定。按照设备图进行接线。各接线端子只能放一条线。控制器上双端子(□)是内部相互连接的。

en Commissioning

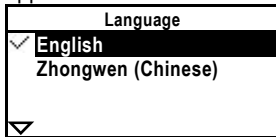
First startup

1. Attach operator unit to the controller (type RMZ790), or connect it to the controller (type RMZ791).
2. Switch on power.

During this commissioning phase, the control system remains deactivated.

All safety functions also are deactivated!

When controller startup is completed, the following display will appear:

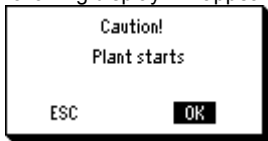


3. Select the language you require by **turning** the select-and-push knob "OK" and confirm by **pressing**.

The "Commissioning" menu will appear:



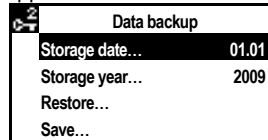
4. Select submenu "Basic configuration".
Select the plant type / basic type and the position of the option modules.
5. If required, select submenu "Extra configuration", enabling you to adapt the configuration.
6. If required, select submenu "Settings" to match the settings (default values) to your individual needs.
7. If required, select submenu "Communication" to set up the communication (e.g. bus, activation of clock).
8. Select submenu "Wiring test" (recommended!).
Check the inputs and outputs. The outputs will be simulated.
9. Quit the "Commissioning" menu by pressing the ESC button. The following display will appear:



10. Press the select-and-push knob for OK.
The application will be started, all sensors will be checked, and sensors used will be monitored further on. The main menu will appear:



11. Make the operator settings: Date, time of day, switching times and setpoints.
If required, match the settings to your personal needs.
12. Saving the data.
Select submenu "Data backup". The menu for storing data will appear:



Select "Save" and press the select-and-push knob.

Notes:

- At "Restore", the settings of the above date will be activated
- Menus "Commissioning" und "Data backup" are only active on the password level (password = 7)
- There are 3 access levels: User, service and password level.
To change from one level to another, press simultaneously the select-and-push knob (OK) and the ESC button

zh 调试

首次启动

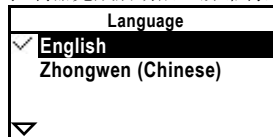
1. 将操作面板连接到控制器上(型号RMZ790), 也可将它连接到控制器(型号RMZ791)上

2. 接通电源。

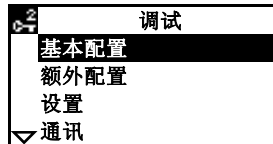
调试期间, 控制系统将保持无效。

所有的安全功能同样也保持无效!

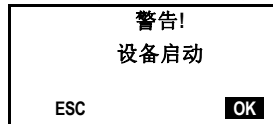
控制器完成启动后, 屏幕将显示以下内容:



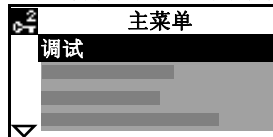
3. 通过转动选-压按钮“OK”
键选择您所需的语言并且摁下此键来确认。
“调试”菜单将会出现:



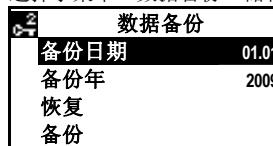
4. 选择子菜单“基本配置”。
选择设备型号/基本类型和选项模块的位置
5. 如果需要, 可选择子菜单“额外配置”, 来调整一些配置
6. 如果需要, 可选择子菜单“设置”来调整设置(默认值), 以匹配您的个人需求
7. 如果需要, 可选择子菜单“通讯”来建立通讯(例如: 总线, 时钟的激活)
8. 选择子菜单“手动测试”(推荐!)
检查输入和输出。可以进行模拟输出。
注意!安全功能无效
9. 摁下ESC按键退出“调试”菜单。下列显示将会出现:



10. 摁下选-压按钮OK键。
应用程序将会启动, 所有的传感器将会被检查, 使用中的传感器会被记录, 并在以后的运行中被检测。主菜单将会出现:



11. 进行操作设置: 日期, 时间, 开关时间和设定点。
如果需要, 让设置与您个人的需要匹配
12. 保存数据。
选择子菜单“数据备份” 储存数据的菜单将会出现:



选择“备份”并且摁下选-压键。

注意:

- 选择“恢复”时, 上述日期存储的设置将会被激活
- 菜单“调试”和“数据备份”只有在密码级别才能有效(密码 = 7)
- 共有三个访问权限: 用户级别, 服务级别和密码级别。
从一个级别转换到另一个级别, 需要同时摁下选-压键 (OK) 和ESC按钮。

