



FCM2008-N1, FCM7221-H3 FTI2002-N1, FT2003-N1

Sinteso™
Cerberus™ PRO

Detached evacuation panel

Series FS20 / FS720

- Detached evacuation control panel for 10 or 20 evacuation zones (EVAC)
- FCM2008-N1 master indication and operating unit (Sinteso)
- FCM7221-H3 master indication and operating unit (Cerberus PRO)
- FTI2002-N1 connector board EVAC-NL
- FT2003-N1 mimic display driver EVAC
- Connection to FC20/FC720 fire control panel via serial RS485 interface
- Own power supply 24 V or provided from the fire control panel
- The mimic display driver EVAC is build into the housing of the mimic display

Operating add-on (2xEVAC)

Sinteso

FCM2008-N1



Cerberus PRO

FCM7221-H3



FC20x0-AA



FC72x-ZA



- The operating add-on is composed of an operation of 10 zones and extension of 20 zones. This application completes the fire control system with evacuation operating panel used by the fire brigade to activate or deactivate alarming devices in single zones.
- The operating add-on can be directly mounted in a fire control panel.
- The connection occurs via the enclosed flat-ribbon cable to the periphery board of the control panel (peripheral bus).

Connector board (EVAC-NL) FTI2002-N1

Sinteso

FH2002-A1



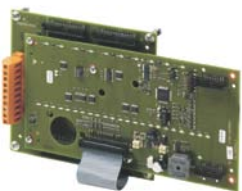
Cerberus PRO

FH7202-Z3



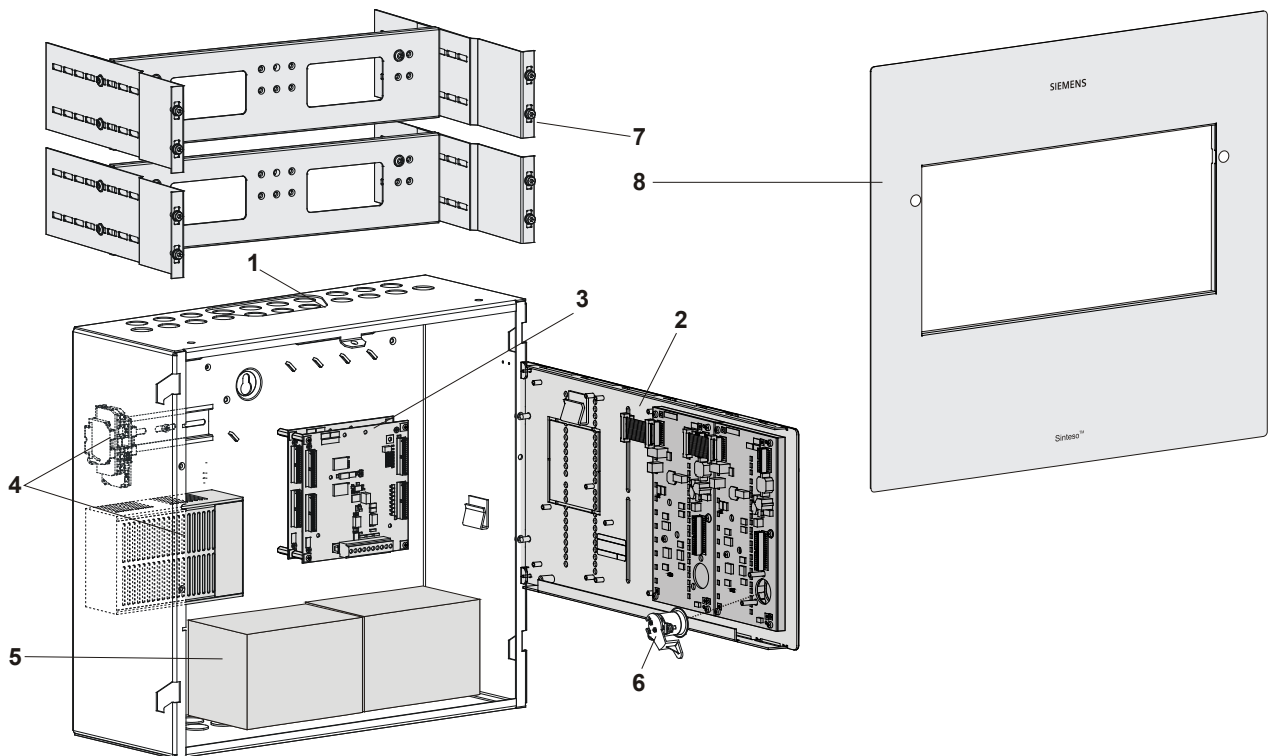
- The connector board FTI2002-N1 is necessary if the operating add-on is used remote from the control panel in a separate housing.
- The connection to the control panel occurs via the RS485 interface. The remote access to the operating add-on is possible until 1000 m.
- The module RS485 (isolated) has to be ordered separately and mounted in the control panel.
- The operating add-on can be integrated in a separate (or external) housing with own power supply. That ensures galvanic isolation.
- The power supply can also be carried out by the fire control panel. By using the same power supply for the fire control panel and the EVAC terminal the ground fault monitoring is extended to both systems. Therefore it is more difficult to find out a ground fault.

Mimic display driver (EVAC) FT2003-N1



- The mimic display driver FT2003-N1 is necessary if the evacuation panel has to be built in a customer-specific housing with customized LEDs and keys in a plant layout (mimic display).
- The mimic display driver is composed of a connector board and a print of the operating add-on.
- In order to realize a panel for 20 evacuation zones, 2 mimic display drivers are required (Master and Slave).

Operating add-on configuration in standard housing with own power supply



Components	Designation	Notes
1 Housing (Standard)	FH2002-A1 (Sinteso) FH7202-Z3(Cerberus PRO)	Dimensions (W x H x D) 430 x 398 x 160 mm
2 Operating add-on (2xEVAC)	FCM2008-N1 (Sinteso) FCM7221-H3 (Cerberus PRO)	Evacuation operating panel 20 zones incl. 2 flat-ribbon cable
3 EVAC-NL connector board	FTI2002-N1	Kit with 2 connection boards, flat-ribbon cable, distance bolt etc.
4 Power supply kit (70 W)	FP2003-A1	incl. mains terminals und connection cable
5 Battery (12V, 7Ah, VDS)	FA2003-A1	For emergency power supply
5 Battery (12V, 12Ah, VDS)	FA2004-A1	
6 Key switch (nordic)	FTO2006-B1	for operating access authorization
7 19" mounting kit	FHA2016-A1	for mounting in 19" external housing
8 FM blind 1HE	FHA2017-A1 (Sinteso)	for surface mounting

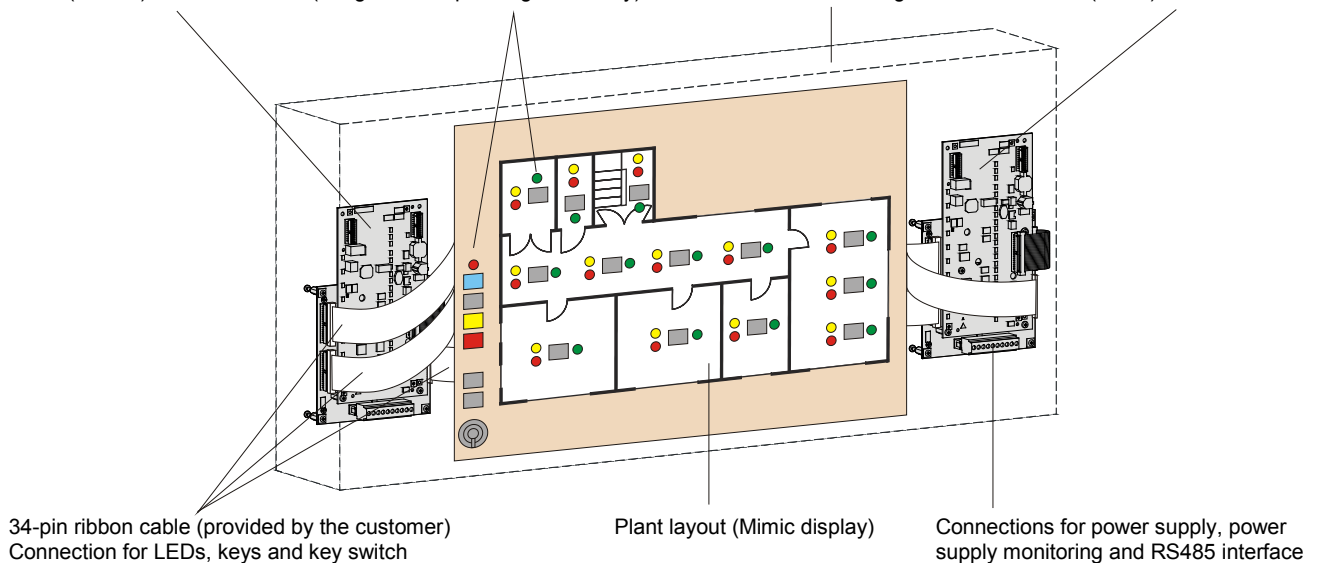
FT2003-N1 configuration in external housing with plant layout (Mimic display)

FT2003-N1 Mimic display driver (Master) 10 zones

LEDs, keys and key switch
(Image of the operating accessory)

External housing

FT2003-N1 Mimic display driver (Slave) 10 zones



34-pin ribbon cable (provided by the customer)
Connection for LEDs, keys and key switch

Plant layout (Mimic display)

Connections for power supply, power supply monitoring and RS485 interface

Technical data

FTI2002-N1 Connector board	Supply voltage	20... 32 VDC
	Operating current	max. 190 mA @ 21 VDC
	Battery monitoring	yes
	Mains monitoring	yes
	Connection terminal	0.5... 1.5 mm ²
	Outputs for mimic display	
	– 2 plugs 34-pin for	2 x 17 LEDs
	– 1 plug 34-pin for	1 x 16 keys und 1 key switch (LEDs and keys are configurable with the Engineering-Tool)
	External LEDs	max. 24 mA pro LED
	Dimensions (W x H x D)	121 x 130 x 32 mm
FT2003-N1 Mimic display driver	Operating current	max. 190 mA @ 21 VDC
	Dimensions (W x H x D)	121 x 206 x 47 mm

Details for ordering

	Type	Part no	Designation	Weight
Operating add-on Sinteso	FCM2008-N1	A5Q00022046	Operating add-on (2xEVAC)	1.470 kg
Operating add-on Cerberus PRO	FCM7221-H3	S54400-F78-A1	Operating add-on (2xEVAC)	1.470 kg
FCM2008-N1 in FH2002-A1	FH2002-A1	A5Q00018931	Housing (Standard)	7.500 kg
FCM7221-H3 in FH7202-Z3	FH7202-Z3	S54400-B70-A1	Housing (Standard)	7.500 kg
with own power supply	FP2003-A1	A5Q00016005	Power supply kit (70 W)	0.650 kg
	FTI2002-N1	S54400-A15-A1	EVAC-NL connector board	0.330 kg
Batteries	FA2003-A1	A5Q00019353	Battery (12 V, 7 Ah, VDS)	2.450 kg
	FA2004-A1	A5Q00019354	Battery (12 V, 12 Ah, VDS)	3.930 kg
	FTO2006-B1	A5Q00010129	Key switch (nordic)	0.050 kg
	FHA2016-A1	A5Q00020179	19" mounting kit	3.000 kg
only Sinteso	FHA2017-A1	A5Q00024719	FM blind 1 HE	3.000 kg
Mimic display	FT2003-N1	S54400-A14-A1	Mimic display driver (EVAC)	0.180 kg