



Synco™ living

RF adapter plugs, switching KRF960..

- Radio-controlled adapter plugs for switching electrical loads up to 10 A
- RF communication based on KNX standard (868 MHz, bidirectional)
- Mains-powered AC 230 V

Use

- For integration into the Siemens Synco living system
- For remote control of electrical appliances connected to power outlets
- Operation via KNX-RF or manually

Equipment combinations

The RF adapter plug KRF960 is for use with the Siemens Synco living system. For detailed information about equipment combinations, refer to the Data Sheet on the QAX910 central apartment unit (CE1N2707en).

Ordering

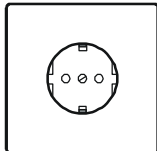
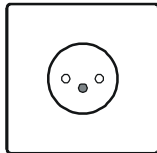
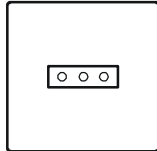
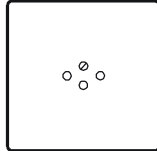
When ordering, please give quantity, product name and type reference.

Scope of delivery

The KRF960 is supplied complete with Mounting Instructions.

Type summary

The RF adapter plug KRF960 is available in the following versions:

Type of mains plug	Product No.	Type of power outlet
F	KRF960-F	 2718201
E	KRF960-E	 2718202
L	KRF960-L	 2718203
J	KRF960-J	 2718204

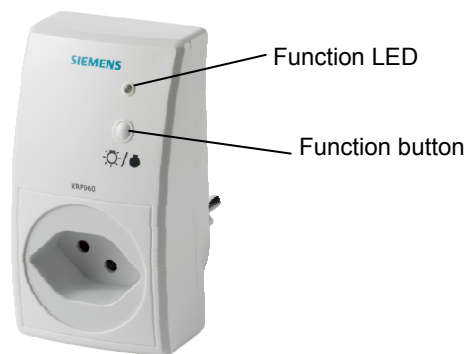
Product documentation

The Operating and Commissioning Instructions for the KRF960 are part of the product documentation on the QAX910 central apartment unit.

Functions

Main function	<p>The KRF960 is used for remote control of electrical appliances connected to power outlets.</p> <p>Each KRF960 can be switched via the central apartment unit, either individually or in groups.</p>
Binding	<p>The KRF960 signs on at the central apartment unit, thereby integrating itself into the wireless system. The binding process is triggered by pressing the function button. The process is indicated by the function LED.</p>
Supply state	<p>The KRF960 can be reset to its supply state by pressing the function button. If reset, the adapter plug must be reintegrated into the system.</p>
Power break	<p>After a power break (e.g. after disconnecting the KRF960), the switching relay is dead.</p>
Child-proofing	<p>The KRF960 features mechanical child-proofing. This means that live parts inside the adapter plug cannot be touched by introducing objects.</p>

Operating and indicating elements



Functions of the operating and indicating elements:

Function LED	Function button
<ul style="list-style-type: none">• Switching action• Binding action	<ul style="list-style-type: none">• Binding• Switching• Resetting to the supply state

Engineering and operating notes

Mounting location

- The KRF960 must be plugged into a power outlet
- The permissible environmental conditions must be observed
- Do not modify the device for outdoor use
- The KRF960 must not be exposed to drip water
- For Planning and Mounting Instructions on wireless devices of the Siemens Synco living system, refer to Data Sheet CE1N2708en

Mounting

The KRF960 is suited for use with all types of commercially available power outlets (note type of outlet!).

Commissioning

For commissioning, the KRF960 must be plugged into a power outlet at the location where it is used.

Maintenance

The KRF960 is maintenance-free.

Disposal



In terms of disposal at the end of the product's service life, the KRF960 is regarded as electronic scrap conforming to the European Directive 2002/96/EC (WEEE) and must not be disposed of together with domestic waste. Disposal must take place through appropriate channels.



Local and currently valid legislation must be observed.

Warranty

Warranty with regard to application-related data is valid only when the KRF960 is used in connection with the Siemens Synco living system.

When used with products of other manufacture, correct operation must be ensured by the user. In that case, Siemens does not provide any service or warranty.

Technical data

Power supply	Operating voltage	AC 230 V ($\pm 15\%$)
	Frequency	50 Hz
	Power consumption (excl. external load)	Max. 0.8 VA
RF	Frequency	868 MHz, bidirectional
	Range	Typically 30 m in buildings
	Protocol	KNX RF-compatible 
Electrical connections	Power outlet	For connecting appliances with plug type F, E, L, or J
	Plug	For connecting the KRF960 to a power outlet type F, E, L, or J
Types of load	Incandescent lamps (AC 230 V)	2300 W
	Halogen lamps (AC 230 V)	2300 W
	Low-voltage halogen lamps via ferromagnetic transformer (DC 12 V / 24 V)	1600 VA
	Low-voltage halogen lamps via electrical transformer (DC 12 V / 24 V)	1200 VA
	Fluorescent lamps	28 x 36 W Max. 120 μ F
Standards	 conformity as per	
	EMC directive	2004/108/EC
	- Immunity, Emissions	- EN 60669-2-1, EN 50428
	Low-voltage directive	2006/95/EC
	- Electrical safety	- EN 60669-1, EN 60669-2-1, EN 50428
RTTE (Radio & Telecom. Equipment)		1999/5/EC
	- RF communication	- EN 300 220-2, EN 301 489-1, - EN 301 489-3
Environmental compatibility	Environmental Product Declaration	ISO 14001 (environment)
	CE1E2718en contains data on environment-friendly product design and assessment (RoHS conformity, substances used, packaging, environmental benefits and disposal)	ISO 9001 (quality) SN 36350 (environment-compatible products) RL 2002/95/EG (RoHS)
Degree of protection	Housing	IP30
Dimensions		Refer to "Dimensions"
Weight	KRF960 complete with enclosure	0.156 kg
Material of housing		Plastic PC+ABS
Housing color		RAL 9010
Environmental conditions	Operating temperature	0...45 °C
	Storage temperature	-20...70 °C

Dimensions

Dimensions in mm

