



DESIGO™ PX OPEN

PX PRONTO

The PX PRONTO solution allows the integration of PRONTO trunks and controllers into the DESIGO PX automation level.

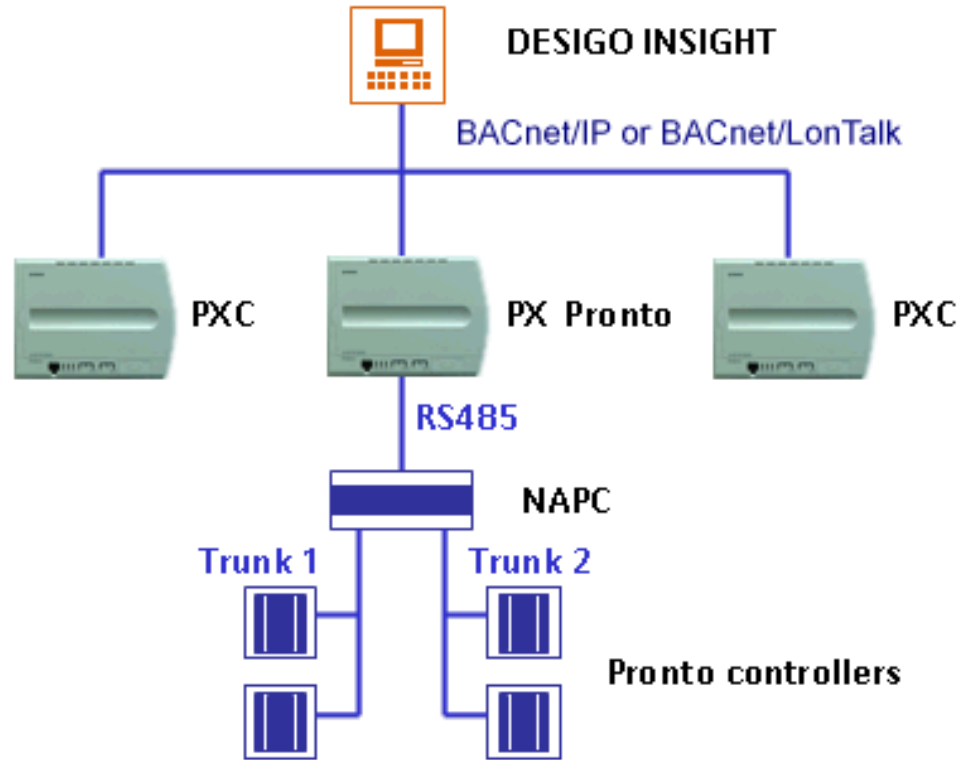
Function

The PX PRONTO solution supports the following trunk and PRONTO data points:

- Read PRONTO data, ZS1 commands 1...20, 125...129
- Write PRONTO data, ZS1 commands 24...29
- Read PRONTO parameters, ZS1 commands 30...49
- Write PRONTO parameters, ZS1 commands 50...68
- Read Trunk data, ZS1 commands 70...75
- Write Trunk data, ZS1 commands 76...81

Supported number (absolute limits)

- Number of trunks 2
- Number of PRONTOs per trunk 60
- Number of data points (DESIGO) 2500



Types

Type	Description
PX PRONTO	Integration solution

System limits

- The PX PRONTO solution supports 2500 data points on the DESIGO side.
- Number of trunks 2
- Number of PRONTOs per trunk 60

Hardware

The firmware runs on a PXC00-U modular automation station with a PXA30-RS extension module (see data sheets N9221 and N9281). PXC64-U or PXC128-U, and PXA30-RS1 or PXA30-RS2 are suitable as well.

Engineering and commissioning

Refer to document CM2Y9763.

Ordering, licensing and download

For ordering, licensing and download information, please consult your local sales office.

Activate the solution

For each automation station the license key must be entered in the Communication block in the CFC.