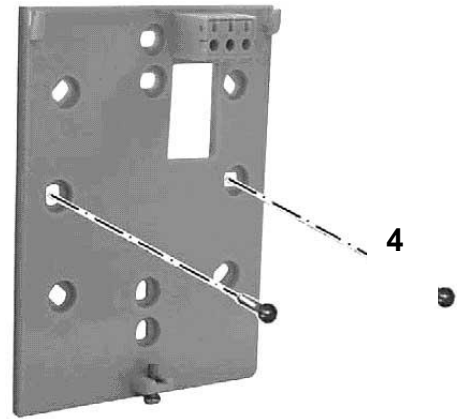


RDH10
RDJ10



1



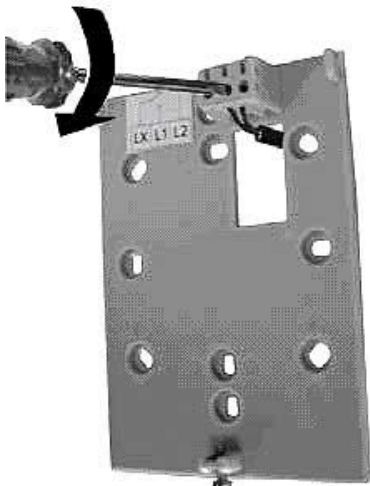
4



2



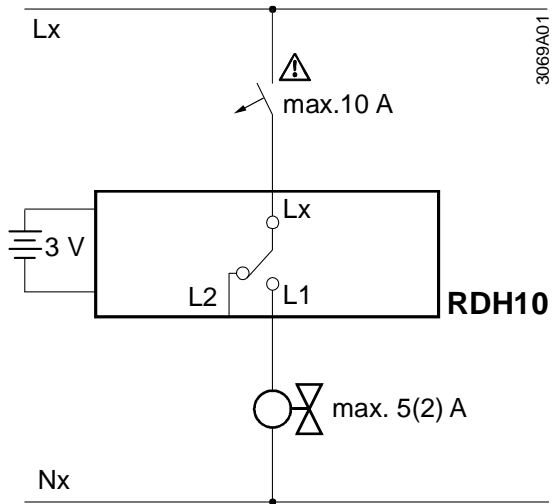
5



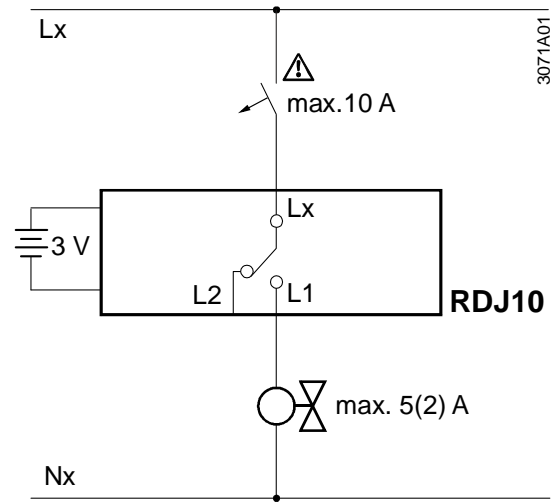
3



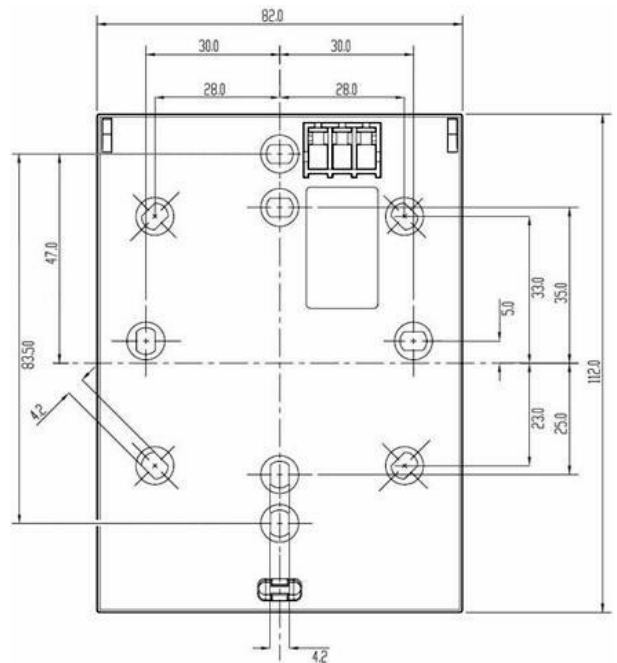
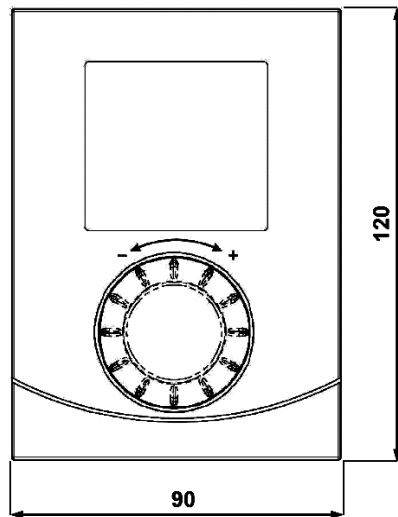
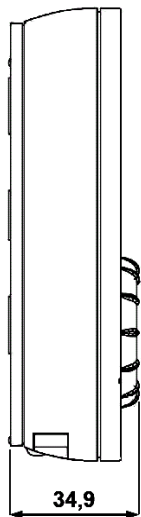
6



⚠ Lx - Nx AC 24...250 V



⚠ Lx - Nx AC 24...250 V



[mm]