

Designo Control Point

BACnet/IP Web Interface

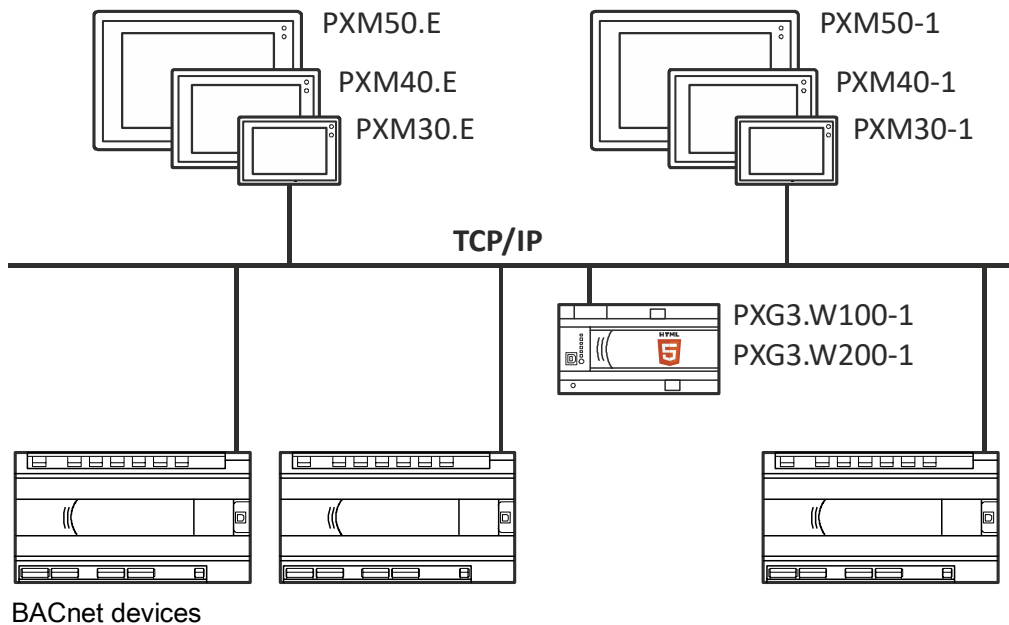
PXG3.W100-1, PXG3.W200-1



Web-based, graphical operation of BACnet devices using Designo touch panels and devices with an HTML 5.0 web browser.

- Simultaneous access by various operator units
- Central administration of graphics and data for other operating views
- Offline engineering with ABT Site
- Up and download configuration data over the IP interface
- LED indication for Ethernet link and activity
- 2-port Ethernet switch for low-cost cabling (10Base-T/100Base-Tx)
- Operating voltage AC 24 V or DC 24 V
- Plug-in screw terminal block for supply
- Mounting on DIN rail

Topology



The web interfaces PXG3.W100-1 and PXG3.W200-1 are the central points of access to operate the automation level and room automation. The central point of access permits simultaneous operation on various operator units and supports

- Connection of Desigo touch panels PXM30-1, PXM40-1 und PXM50-1
- Access via devices using a standard web browser with HTML5.

Functions

Operate and monitor

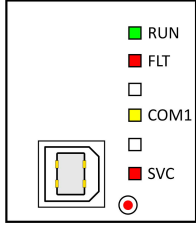
The device has a web server that processes data from various devices based on BACnet/IP to HTML5 web pages.

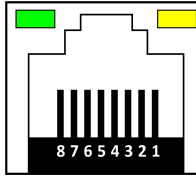
The following functions are available to operate and monitor a plant:

- Login and log off
- User administration
- Customized graphics
- Alarm view to monitor and log alarms
- Alarm forwarding to e-mail recipient
- Graphics-based operation of time schedules
- Graphically displaying trend data
- Generic operation of all objects and properties of assigned devices

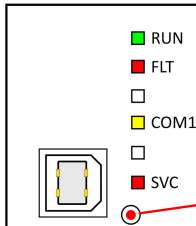
Devices PXG3.W100-1 and PXG3.W200-1 differ as to functionality and system limits (see Desigo Control Point Basic documentation A6V11666339).

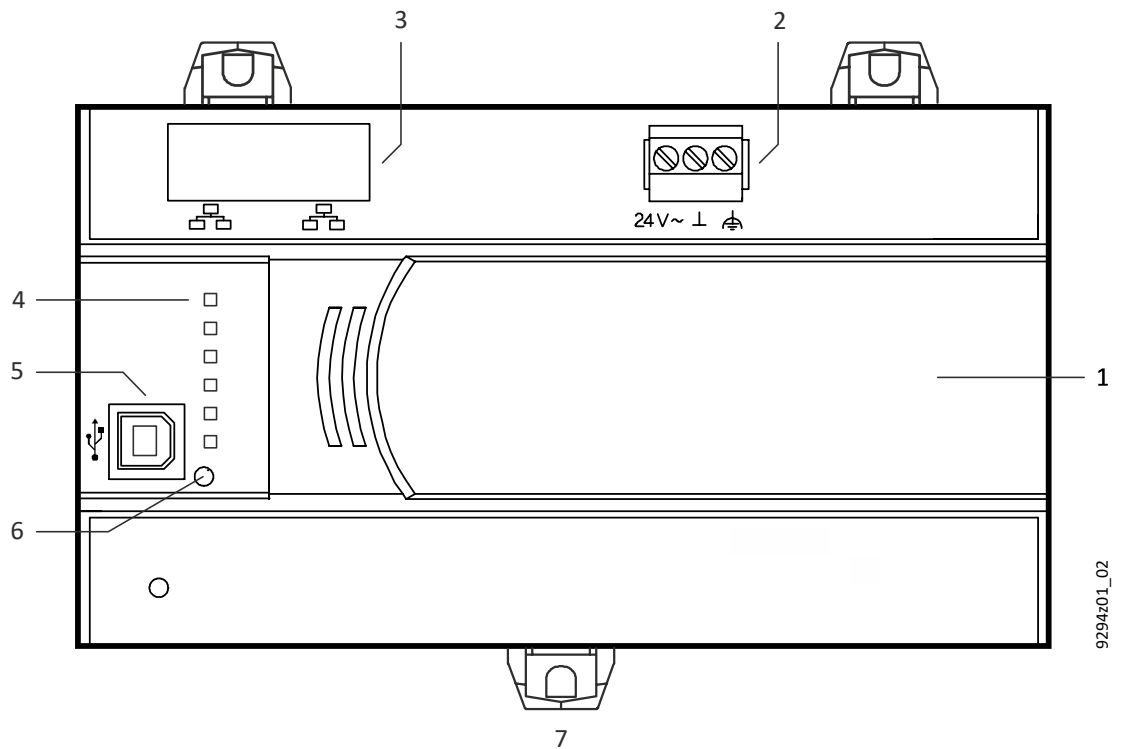
LEDs

	LED	Color	Activity	Function
 <p>9294403_02</p> <p>Legend: ■ RUN (Green) ■ FLT (Red) □ COM1 (Yellow) ■ SVC (Red)</p>	RUN	Green	Steady ON	Device is ready for operation
			Steady OFF	Device is not powered
			Flashing	Device is starting
	FLT	Red	Steady OFF	OK
			Steady ON	HW fault
			Flashing	Wrong or corrupt configuration
	COM1	Yellow	Flashing	Sends Ethernet/IP packets
	SVC	Red	Steady OFF	Configured
Flashing			Unconfigured	

	LED	Color	Activity	Function
 <p>9270005_01</p> <p>Legend: ■ Ethernet 1/2 (Green) ■ Ethernet 1/2 (Yellow)</p>	Ethernet 1/2	Green	Steady ON	Link active
			Steady OFF	No connection
			Flashing	Sends 10 or 100 Mbps Ethernet IP packets
		Yellow	Steady ON	Link: 100 Mbps
			Steady OFF	Link: 10 Mbps

Service button

	Button	Press	Description
 <p>9254402_02</p> <p>Legend: ■ RUN (Green) ■ FLT (Red) □ COM1 (Yellow) ■ SVC (Red)</p>	S	Short	Physical identification on the network (Ethernet)
		As per description	Do the following to delete the device: <ol style="list-style-type: none"> 1. Switch off the device. 2. Switch on the device. 3. Wait until all LEDs turn on and then off and then press the S button. 4. Keep the S button pressed until the green RUN LED starts to flash and then release. 5. Wait until the device has fully started – unconfigured (RUN LED on, SVC LED flashes). The device configuration must be reloaded using ABT Site to perform additional configurations.



1. Plastic housing
2. Plug-in terminal block (operating voltage)
3. 2-port Ethernet switch (with 2 LEDs per port for display purposes)
4. LED displays for device and system status
5. Tool interface (USB device)
6. Service button for identification on network
7. Slider for mounting on DIN rail

Type summary

Type	Stock number	Designation
PXG3.W100-1	S55842-Z117	BACnet/IP web interface with standard functionality
PXG3.W200-1	S55842-Z118	BACnet/IP web interface with extended functionality


Product documentation

Document type	Document No.
Data sheet BACnet/IP Touch Panels PXM30.E / PXM40.E / PXM50.E	A6V11664137
Data sheet Touch Panel Clients PXM30-1 / PXM40-1 / PXM50-1	A6V11664139
Desigo Control Point Basic documentation	A6V11666339
Desigo Touch-Panel Clients Commissioning	A6V11604303
Desigo Control Point Operating manual	A6V11211557
Desigo Control Point Engineering manual	A6V11604297
ABT Site Online help	--

Related documents such as environmental declarations, CE declarations, etc., can be downloaded at the following Internet address:

<http://siemens.com/bt/download>

Safety

	<p>⚠ CAUTION</p>
	<p>National safety regulations Failure to comply with national safety regulations may result in personal injury and property damage.</p> <ul style="list-style-type: none"> • Observe national provisions and comply with the appropriate safety regulations.

Engineering

For additional information on cable lengths, topology, etc.: See Design Control Point Planning and Installation Guide, A6V11170804.

Mounting

The web interface is designed for mounting on a standard rail as well as on walls.

Installation

Power is connected to a plug-in screw terminal block.

Commissioning

A web browser of ABT Site (for special settings) is used for configuration and engineering. Each device has a unique identification number to ensure efficient commissioning. It is also printed on the removable barcode label.

Maintenance

The devices are maintenance-free.

Firmware upgrade

Firmware upgrades are loaded with ABT Site (at startup, user initiated).

Use either the Ethernet or USB interface.

Repair

The devices cannot be repaired. The entire unit must be replaced.

Disposal



The device is considered an electronic device for disposal in accordance with the European Guidelines and may not be disposed of as domestic garbage.

- Dispose of the device through channels provided for this purpose.
- Comply with all local and currently applicable laws and regulations.

Power supply module

Operating voltage (24 V \pm , \perp , \perp , \perp) Safety extra-low voltage SELV or protection by extra-low voltage PELV as per HD384	AC 24 V \pm 20 %, 48...63 Hz DC 24 V \pm 20 %
Functional earth \perp	The functional earth terminal must be connected to the building's grounding system (PE).
Power consumption At AC 24 V At DC 24 V	Max. 9 VA Max. 4 W
Screw terminals for wire cross sections up to	Max. 2.5 mm ²
Internal fusing	With PTC
External supply line fusing (EU)	Non-renewable fuse max. 10 A slow or circuit breaker max. 13 A Tripping characteristic B, C, D per EN 60898 or Power supply with current limitation of max. 10 A

Operating data

Hardware information	
Processor	Texas Instruments AM3352, 600 MHz
Memory	8 GByte eMMC, 1 GByte SDRAM (DDR3)
Operating system	Linux

Response to power/communication failure
Energy reserve (Supercap) to support real-time clock (3 days).
Data available only if stored to flash memory. Occurs every 30 minutes.

Connections

Screw terminals, plug-in	
Cu-wire or Cu-strand with wire end sleeve	1 x 0.6 mm \varnothing to 2.5mm ² (22 to 14 AWG) or 2 x 0.6 mm \varnothing to 1.0 mm ² (22 to 18 AWG)
Cu-strand without wire end sleeve	1 x 0.6 mm \varnothing to 2.5 mm ² (22 to 14 AWG) or 2 x 0.6 mm \varnothing to 1.5 mm ² (22 to 16 AWG)
Stripping length	6...7.5 mm (0.24...0.29 in)
Screwdriver	Slot screws Screwdriver, size 1 with shaft $\varnothing \leq 4.5$ mm
Max. tightening torque	0.6 Nm (0.44 lb ft)

Ethernet interfaces	
Plug	2 x RJ45, screened
Interface type	10Base-T / 100Base-TX, IEEE 802.3 compatible
Bit rate	10/100 Mbps, autosensing
Protocol	BACnet on UDP/IP and HTTP or HTTPs on TCP/IP
Galvanic isolation of system neutral \perp	Yes

USB interface	
Plug	Type B (USB device)
Data rate (USB 2.0 full speed)	12 Mbps
Protective switch against surges and over current	Yes
Galvanic isolation of system neutral \perp	No

Conformity

Ambient conditions and protection classification	
Classification as per EN 60730 Operation of automatic controller Degree of pollution	Type 1 2
Design type	Protection class III
Degree of protection of housing to EN 60529 Front parts in DIN excerpt Terminal part	IP30 IP20
Climatic ambient conditions <ul style="list-style-type: none"> Transport (packaged for transport) as per IEC EN 60721-3-2 Operation as per IEC/EN 60721-3-3 	<ul style="list-style-type: none"> Class 2K3 Temperature -25...70 °C (-13...158 °F) Air humidity 5...95% (non-condensing) Class 3K3 Temperature 0...50 °C (32...122 °F) Air humidity 5...95% (non-condensing)
Mechanical ambient conditions <ul style="list-style-type: none"> Transport per IEC/EN 60721-3-2 Operation as per IEC/EN 60721-3-3 	<ul style="list-style-type: none"> Class 2M2 Class 3M2

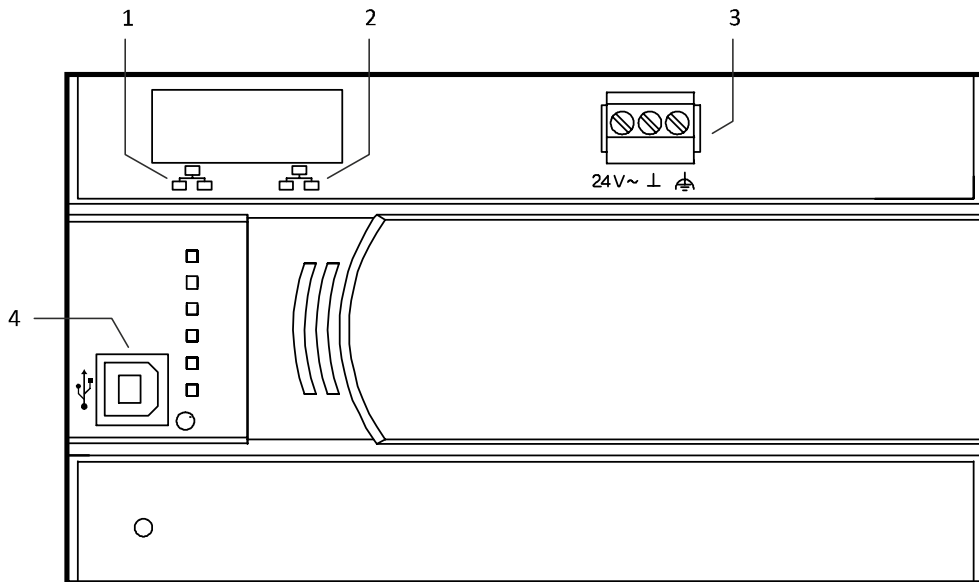
Standards, directives and approvals	
Product standard	EN 60730-1 Automatic electronic controls for household and similar use
Product family standard	EN 50491-x General requirements for Home and Building Electronic Systems (HBES) and Building Automation and Control Systems (BACS)
Electromagnetic compatibility (EMC)	For residential, commercial, and industrial environments
EU conformity (CE)	See CE declaration CM1T9270xx ¹⁾
EAC compliance	Eurasian compliance
RCM conformity	See RCM declaration CM1T9222en_C1 ¹⁾
UL approbation (US)	UL916; http://ul.com/database
cUL-Approbation (Canada)	cUL916; http://ul.com/database
CSA certification	C22.2, http://csagroup.org
BACnet	B-OD
Environmental compatibility ¹⁾	The product environmental declaration E9294 contains data on environmentally compatible product design and assessments (RoHS compliance, materials composition, packaging, environmental benefit, disposal).

¹⁾ Documents can be downloaded at <http://siemens.com/bt/download>.

Housing

Color	RAL 7035 (light-gray)
Dimensions	per DIN 43 880, see dimensions
Weight with/without packaging	261 g / 303 g

Connection diagrams

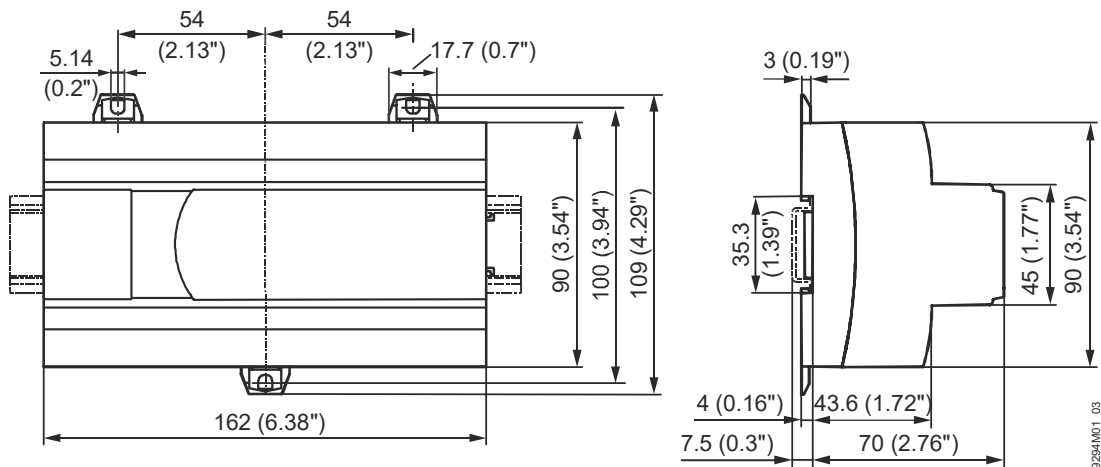


9294r04_02

1, 2		2 x RJ45 interface for Ethernet
3		Operating voltage AC/DC 24 V
	USB	USB tool interface

Dimensions

All dimensions in mm (in.)



9294r04_03