



DM1153H-Ex / DM1154H-Ex

AlgoRex

Manual call point 'Heavy Duty'-Ex



Interactive, for explosion-hazard area of zones 1 and 2

- **Manual call point to the interactive fire detection system with microprocessor, with individual address**
- **Extremely robust housing version made of glass fiber reinforced thermoplastic material (IP66)**
- **For surface mounting suited for wet, humid and dusty areas**
- **Manual call point DM1153H-Ex with indirect operation**
- **Manual call point DM1154H-Ex with direct operation**
- **Two-wire installation**

Characteristics

- **Environmental**

- Ecologically processing
- Recyclable materials
- Electronic and synthetic material simple separable

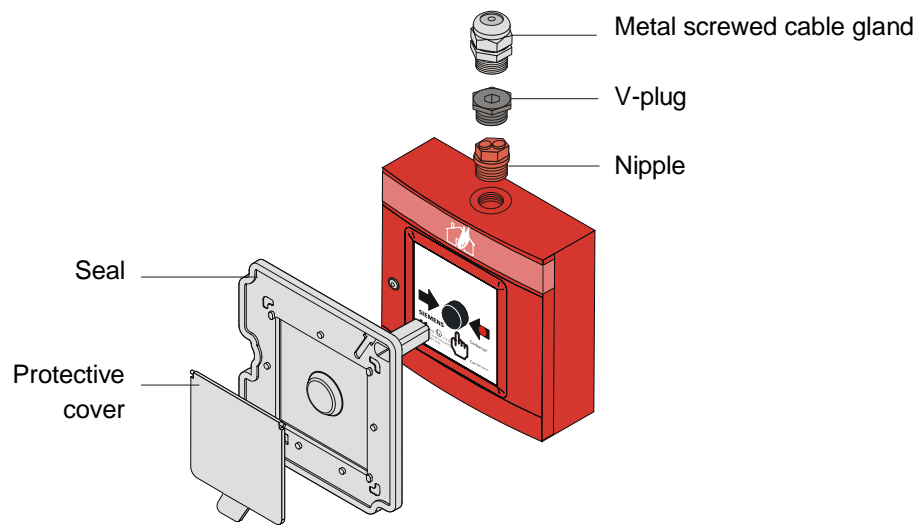
- **Characteristics**

- Protected electronic
- Alarm indicator (LED) built-in
- Address allocation when the call point is activated for the first time

Manual call point

A protective cover DMZ1197-AC (accessory part) protects the manual call point from unintentional glass break.

A seal DMZ1197-AD (accessory part) protects the manual call point in wet applications.



- **Function DM1153H-Ex**

- Indirect alarm actuation by smashing in the glass plate and pressing the push button
- To replace the glass plate, open the housing door with an Allen key. The push button must be set back before closing the door again

- **Function DM1154H-Ex**

- Direct alarm actuation by smashing in the glass plate
- To replace the glass plate, open the housing door with an Allen key, upon closing the door the button is reset

- **Application**

- For the immediate manual actuation of a fire alarm
- For indoor and outdoor application, equally suited for wet, humid and dusty areas
- Only for surface mounted feed lines in easily accessible places
- Tunnels, Industry

Installation

- The housing is equipped with **one** opening at the top and **two** openings at the bottom for nipples (enclosed) and for M20 metal cable glands (accessory part)
- For Ex and IP66 applications the unused openings must be locked with the V-plug (accessory part)

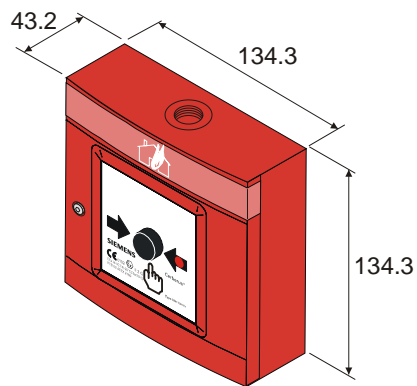
Note

Equipment installed in explosion-hazard areas must always comply with local national regulations.

The SB3 shunt Zener diode barrier is used as an interface between explosion-hazard and non-hazardous areas.


Further technical data can be found in the document Fire protection in explosion-hazard areas ' No. 1204.


Dimensions



Technical data

Operating voltage modulated	21.2... 33.3 VDC	
Connection terminals	0.28... 1.5 mm ²	
Operating temperature	-25... +70 °C	
Storage temperature	-30... +75 °C	
Humidity (no condensation)	≤95 % rel.	
Connection factor IMK	1	
Color	red, ~RAL 3000	
Protection category IEC 60529	IP54	
– with seal DMZ1197-AD	IP66	
Standards		
– Manual call point	EN 54-11	
– for explosion-hazard areas	EN 50014 (IEC 60079-0) EN 50020 (IEC 60079-11)	
Ex classification	II 2 G EEx ib IIC T4 (-25 °C ≤Ta ≤70 °C)	
Approvals	DM1153H-Ex	DM1154H-Ex
– VdS	G205012	G205013
– LPCB	–	126be/02
– PTB	02 ATEX2160	02 ATEX2160
System compatibility	Compatible with interactive fire detection system CS11	

08  0786	DM1153H-Ex	Siemens Switzerland Ltd, Gubelstrasse 22 CH-6301 Zug
		Technical data: see doc. x1837
DM1153H-Ex - Manual callpoint for use in fire detection and fire alarm systems installed in buildings.		
305/2011/EU (CPR): EN 54-11 ; 2014/30/EU (EMC): EN 50130-4 / EN 61000-6-3 ; 2014/34/EU (ATEX): EN 60079-0 / EN 60079-11		
The declared performance and conformity can be seen in the Declaration of Performance (DoP) and the EU Declaration of Conformity (DoC), which is obtainable via the Customer Support center: Tel. +49 89 9221-8000 or http://siemens.com/bt/download		
DoP No.: 0786-CPR-20274; DoC No.: CED-DM1153H-Ex		

08  0786	DM1154H-Ex	Siemens Switzerland Ltd, Gubelstrasse 22 CH-6301 Zug
		Technical data: see doc. x1837
DM1154H-Ex - Manual callpoint for use in fire detection and fire alarm systems installed in buildings.		
305/2011/EU (CPR): EN 54-11 ; 2014/30/EU (EMC): EN 50130-4 / EN 61000-6-3		
The declared performance and conformity can be seen in the Declaration of Performance (DoP) and the EU Declaration of Conformity (DoC), which is obtainable via the Customer Support Center: Tel. +49 89 9221-8000 or http://siemens.com/bt/download		
DoP No.: 0786-CPR-20276; DoC No.: CED-DM1154H-Ex		

Details for ordering

	Part no	Designation	Weight	Part no
DM1153H-Ex / DM1154H-Ex	FDMH292-R	A5Q00005525	Housing red with glass, hexagon wrench key, 3 nipples (2 holes) and plate (Feuerwehr / Brandmelder)	0.297 kg
	DMA1153D-Ex	A5Q00004473	Switching unit to DM1153H-Ex	0.067 kg
	DMA1154D-Ex	A5Q00006101	Switching unit to DM1154H-Ex	0.070 kg
Accessories	DMZ1197-AC	BPZ:5223550001	Protective cover	0.012 kg
	DMZ1197-AD	BPZ:5470680001	Seal for wet areas	0.023 kg
	–	A5Q00004478	Metal screwed cable gland M20 x 1.5	0.039 kg
	–	A5Q00008131	V-plug PA M20 x 1.5	0.005 kg
Spare parts	DMZ1196-AC	BPZ:4942050001	Glass	0.016 kg
	–	A5Q00006735	Nipple red, M20 x 1.5 (1 hole)	0.007 kg
	–	A5Q00010055	Nipple red, M20 x 1.5 (2 holes)	0.007 kg
	–	BPZ:5358470001	Sticker 'avoid electrostatic charging'	0.003 kg

Issued by
Siemens Switzerland Ltd
Building Technologies Division
International Headquarters
Gubelstrasse 22
CH-6301 Zug
Tel. +41 41 724 24 24
www.siemens.com/buildingtechnologies

© Siemens Switzerland Ltd, 2015
Technical specifications and availability subject to change without notice.