

Air sampling smoke detection system AD2-C11 rev.d

Quick Guide for Commissioning

1 Installation

- Connect power (24VDC)
- Connect the detector lines
- Connect reset input (if S3 = ON)
- Install the detector bases and the smoke detectors
- Prepare for operation with 1 or 2 pipe systems
- Connect pipe system or test pipe

2 Set Up

Set DIP switches S2 on pcb E596 according to tables below:

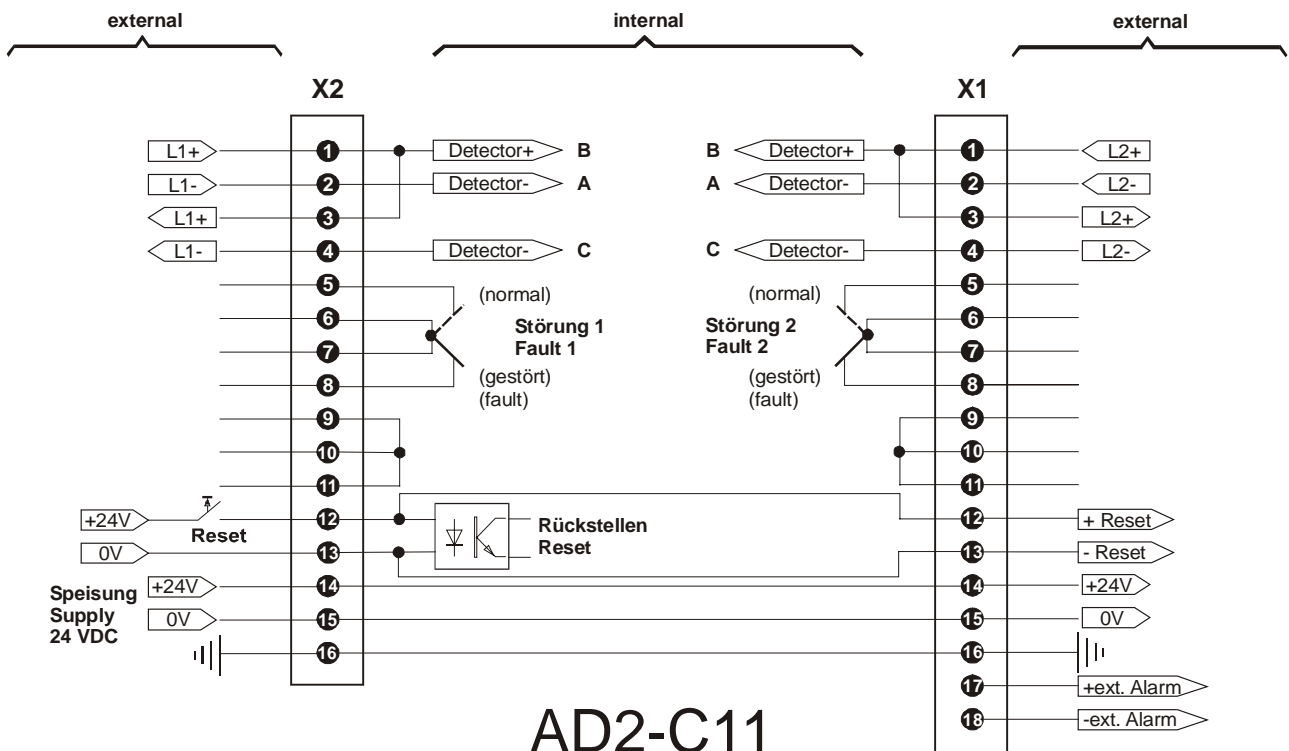
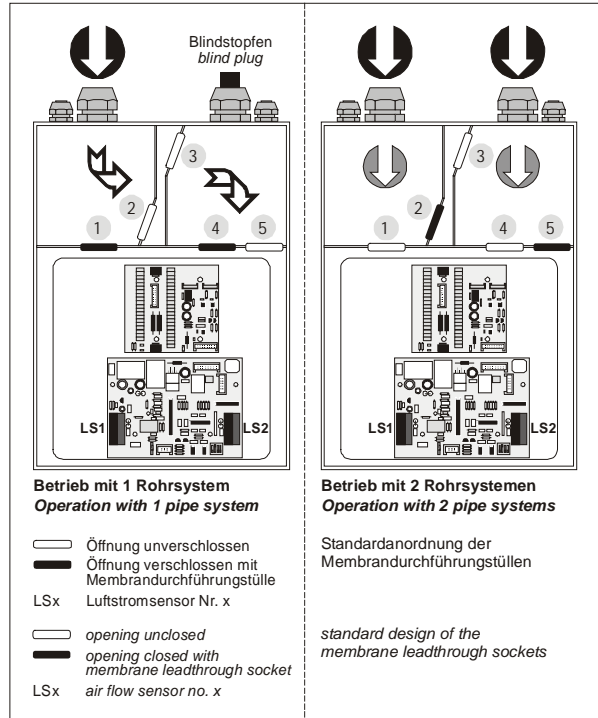
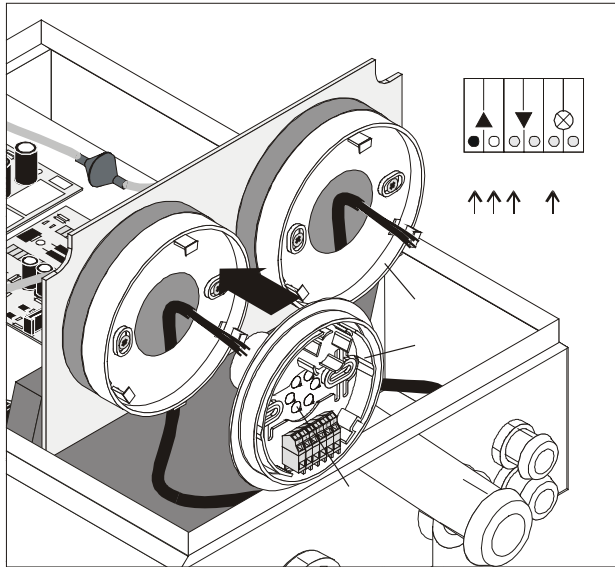
Air flow monitoring							
Switch S2		delay time		Switch S2		Range	
A(1)	B(2)			C(3)	D(4)		
OFF	ON	short	30 s	ON	OFF	small	I
ON	OFF	middle	2 min. <i>(standard)</i>	OFF	ON	middle	II
ON	ON	long	15 min.	OFF	OFF	large	III <i>(standard)</i>
OFF	OFF	very long	1 h	ON	ON	very large	IV

Fault	
Switch S3	
OFF	Fault not latching <i>(standard)</i>
ON	Fault latching until reset

Atmospheric pressure compensation				
R28	MP1 (+)	MP2 (-)	see correction table for atm.pressure	or 2,50 V <i>(standard)</i>

3 Commissioning

Initializing of airflow monitoring		
1.	press button S1 "Init" several times: for 1 tube system: for 2 tube systems:	green LED and yellow LED left flashes green LED und yellow LEDs left and right flashes
2.	Fix cover and tighten screws	within the next 2 min.
3.	Initialization active	ca. 20 min., green and yellow LED flashing
4.	Unit ready	green LED on



Siemens Building Technologies AG
Alte Landstrasse 411
CH-8708 Männedorf
Tel. +41 1 - 922 61 11
Fax +41 1 - 922 64 50
www.cerberus.ch