



LTE24B

Illuminated warning panel

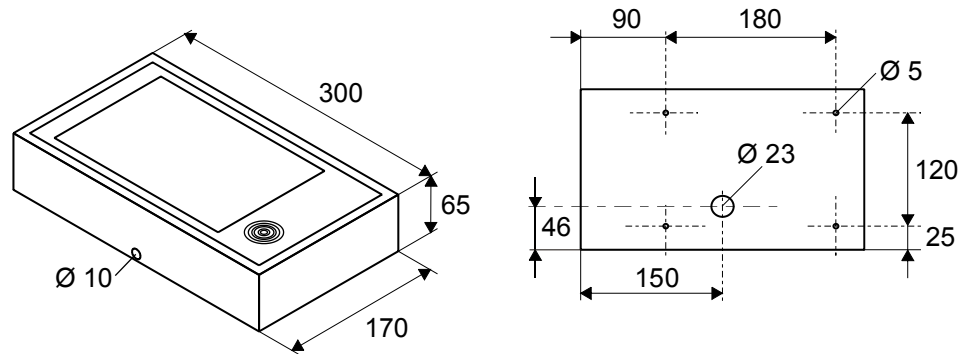
For extinguishing systems

- **For explicit signaling of**
 - an extinguishing alarm
 - release of an extinguishing agent
- **Large illuminated panel and buzzer – alternating light and sound**

The illuminated warning panel is used in fixed FM200® or CO₂ extinguishing systems. It signals the release or imminent release of an extinguishing agent. The illuminated warning panel is actuated automatically by the central extinguishing unit. Personnel thus receive clear warning not to enter the danger area.

Warning is given by a buzzer and a transparent foil illuminated by a fluorescent lamp. Lamp and buzzer are alternately switched on and off in a 1:1 ratio. One of the transparent foils supplied can be used with either „GAS/GAZ” or „CO₂” as legend. The electrical connections, the fluorescent lamp and a fuse are readily accessible when the cover is removed. The connection cable can be led into the sheet steel housing through the rear panel or from above.

Dimensions



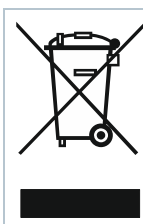
Technical data

Operating voltage	18... 33 V
Max. current consumption	300 mA
Fluorescent lamp	6 W / 7 W
Luminous power	150 lm
Flashing frequency	≈1 Hz
Sound intensity of buzzer at 1 m distance	80 dB
Audio frequency	2500 Hz
Ambient temperature	-10... +50 °C
Housing	
– Protection category	IP 30
– Color	light grey, ~Pantone 422
– Cover	dark grey, ~Pantone 424

Details for ordering

Type	Part no	Designation	Weight
LTE24B	BPZ:4533980001	Illuminated warning panel	1.581 kg

Disposal



The device is considered an electronic device for disposal in accordance with the European Guidelines and may not be disposed of as domestic garbage.

- Dispose of the device through channels provided for this purpose.
- Comply with all local and currently applicable laws and regulations.