



B3Q580, B3Q590, B3Q595

AlgoRex

Text display and control terminals



for CS1115, CS1140 and CI1145 fire detection control units

- For remote indication of alarm, warning and fault messages up to 1000 m from the control unit
- Connectable via LON-Bus
- Plain text LCD with 2 lines of 40 characters each, with yellow illumination
- Buzzer for acoustical message announcement
- Scroll button to retrieve pending messages
- Insertable inscription strips in several languages
- Surface and recess mounting

Application

B3Q590 and B3Q595 text control terminals are designed for distributed message display and alarm operation. All alarm messages of the control unit connected are displayed.



B3Q580 small stand-alone text display terminal

- Designed for distributed message indication.
- It is possible to set a limited focus on a specific part of the building (e.g. one floor) for each panel (max. 4 sections).



B3Q590 small stand-alone display and operating unit

- With acknowledge and reset function.
- Designed according to Scandinavian fire brigade regulations.
- Operating access protected by Nordic fire brigade key switch.
- 3 indication fields, programmable via software or hardware inputs.



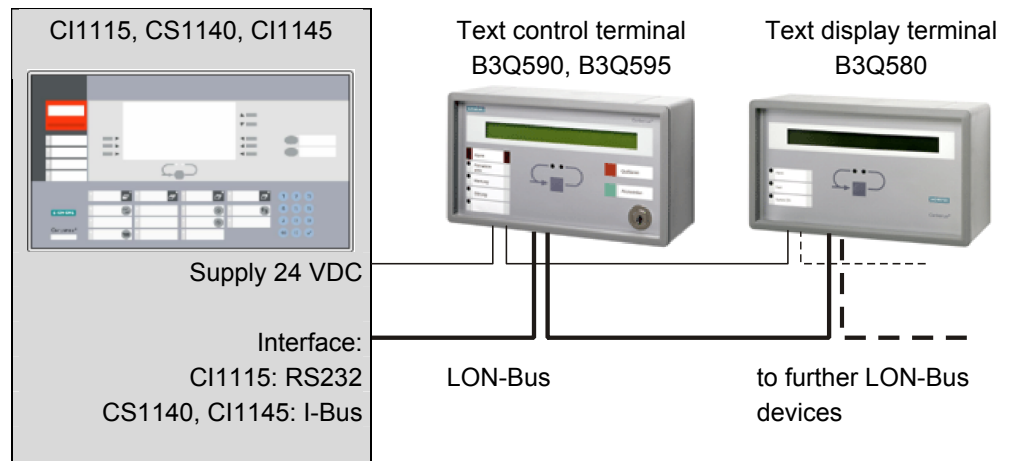
B3Q595 small stand-alone display and operating unit

- With acknowledge and reset function.
- Operating access protected by KABA key switch.
- 3 indication fields, programmable via software or hardware inputs.

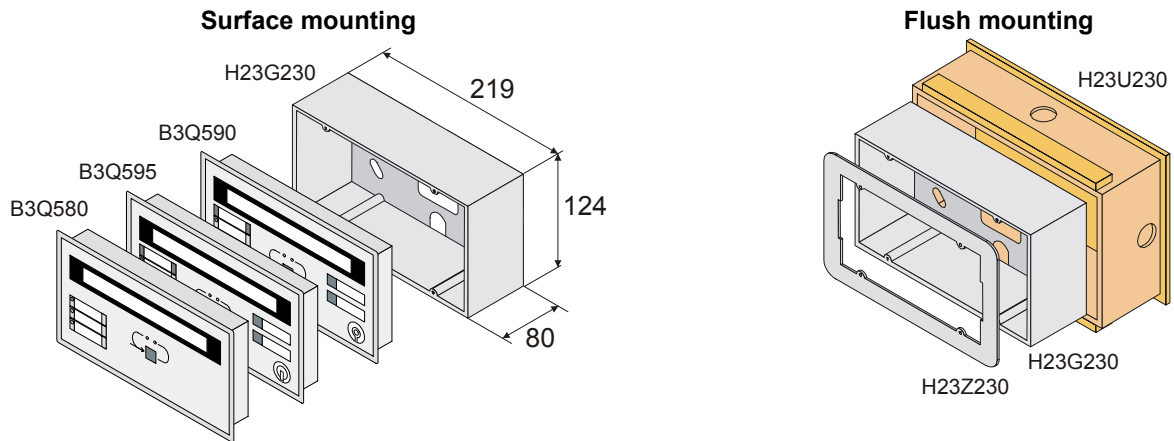
Function

The text display and control terminals are supervised. If the communication on the LON-Bus is interrupted, a fault message appears on the display of the control unit terminal and the text control terminal affected.

Connection principle



Installation



Technical data

Terminal	B3Q580	B3Q590, B3Q595
Operating voltage	9... 45 VDC	9... 45 VDC
Quiescent current		
– 24 VDC	20 mA	18 mA
– 24 VDC max.	180 mA	185 mA
LON-Bus		
Number of devices		
– CS1115		max. 16
– CS1140, CI1145		max. 32
Number of wires (twisted, min. 10 turns per meter)		
– LON-Bus		2
– 24 VDC supply		2
Cable length		
– as stub line		max. 1000 m
– as free topology	max. 500 m (total cable length to all devices)	
Polarity		free

Details for ordering

	Type	Part no	Designation	Weight
Terminals	B3Q580	4961770001	Text display terminal	0.619 kg
	B3Q590	4961800001	Text control terminal, Nordic access key	0.675 kg
	B3Q595	5341100001	Text control terminal, KABA access key	0.735 kg
Housing	H23G230	4750910001	Plastic housing	0.197 kg
	H23U230	5328790001	Recess box to H23G230	0.462 kg
	H23Z230	5328820001	Flush mount frame	0.204 kg
Accessories for B3Q580	Z5B710	5104480001	Inscription stripes set "Nordic" to B3Q580 (SE, NO, FI, DK)	–
	Z5B720	5104510001	Inscription stripes set "Europe" to B3Q580 (GB, DE, FR, IT)	–
Accessories for B3Q59x	Z5B730	5104640001	Inscription stripes set "Nordic" to B3Q59x (SE, NO, FI, DK)	–
	Z5B740	5104770001	Inscription stripes set "Europe" to B3Q59x (GB, DE, FR, IT)	–