

DC1136 / DC1131-AA / DC1134-AA /
DC1136-AA

AlgoRex

Input / Output modules

CE

AnalogPLUS

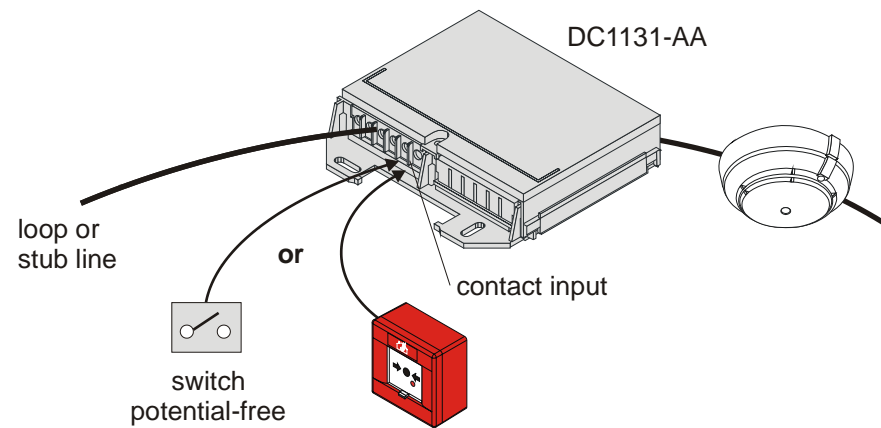
- **DC1130 Series**
 - Thanks to its robust construction, the input/output modules can be used in both dry and dusty / wet areas
 - Housing for surface mounting with M20 cable entries
- **DC1130-AA Series**
 - For use in dry areas
 - Can be mounted in a row with standard guides TS35
- **Two-wire installation**
- **No additional supply required**
- **Equipped with isolating function**

Function

- The address is assigned during commissioning via the key integrated in the module and confirmed by the flashing of the red LED.
- The LED lights through the transparent cover.
- The contact connected to the input module is monitored and registered by the control unit by means of the individual address of the input module.
- The key is provided to release a danger signal during normal operation (performance check).

Application

- Transmits danger signals from sprinkler contacts or non-Cerberus manual call points via the AnalogPLUS detector bus.
- It can be used as a make or break contact.

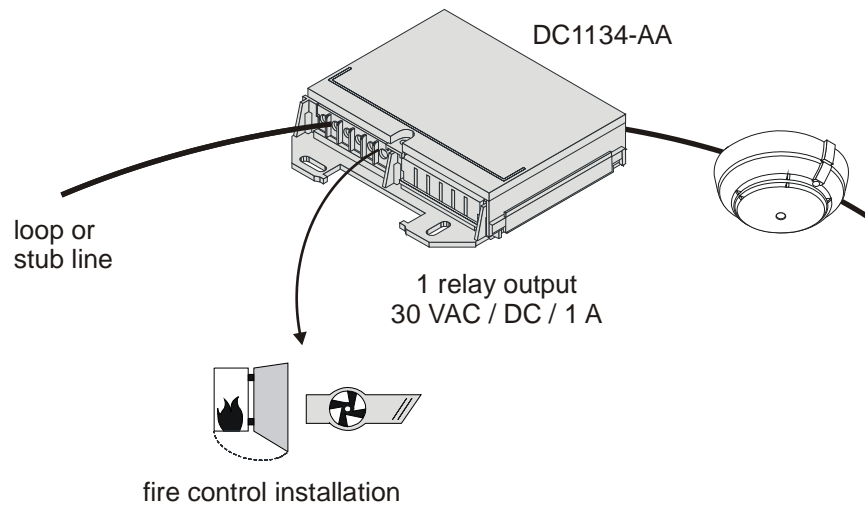


Function

- The address is assigned during commissioning via the key integrated in the module and confirmed by the flashing of the red LED.
- The LED lights through the transparent cover.

Application

- Output module with 1 potential-free provides decentralized activation of fire doors, ventilators, air conditioning etc.

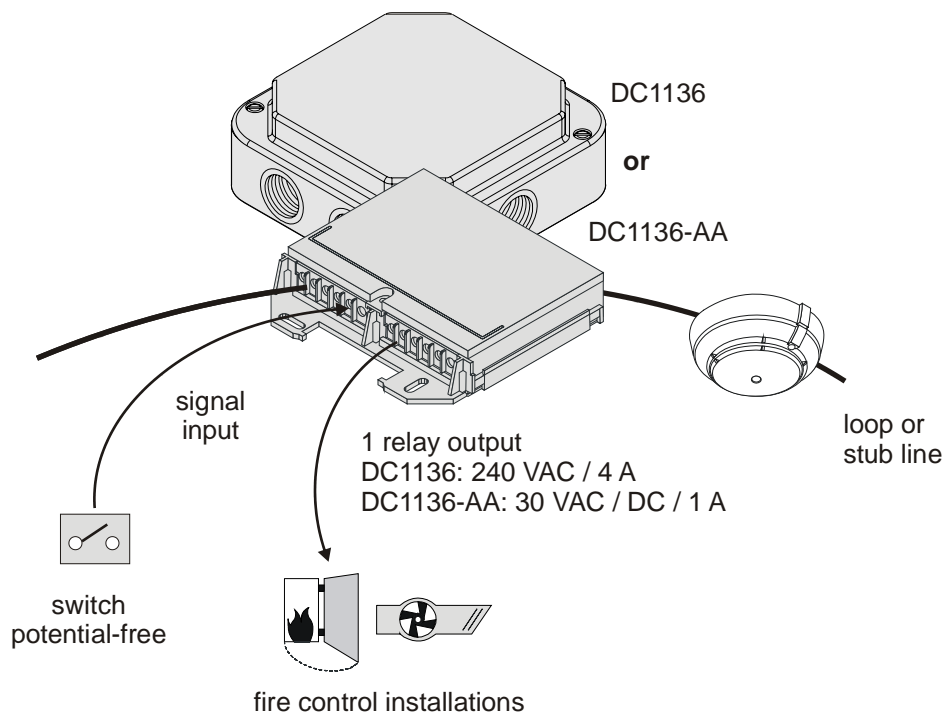


Function

- The address is assigned during commissioning via the key integrated in the module and confirmed by the flashing of the red LED.
- **DC1136:** With closed housing, the key and the LED are not visible
- **DC1136-AA:** The LED lights through the transparent cover.
- With monitored signal input for confirmation messages with potential free NO or NC contact.

Application

- DC1136/-AA with 1 potential free changeover contact provides decentralized activation of fire doors, ventilators, air conditioning etc.
- The signal input for status or alarm messages is configurable via the fire detection control unit.



Built-in line separator

Any short circuit on the detector bus is located by the control unit and the defective component isolated. A loop line ensures optimal security.

Installation

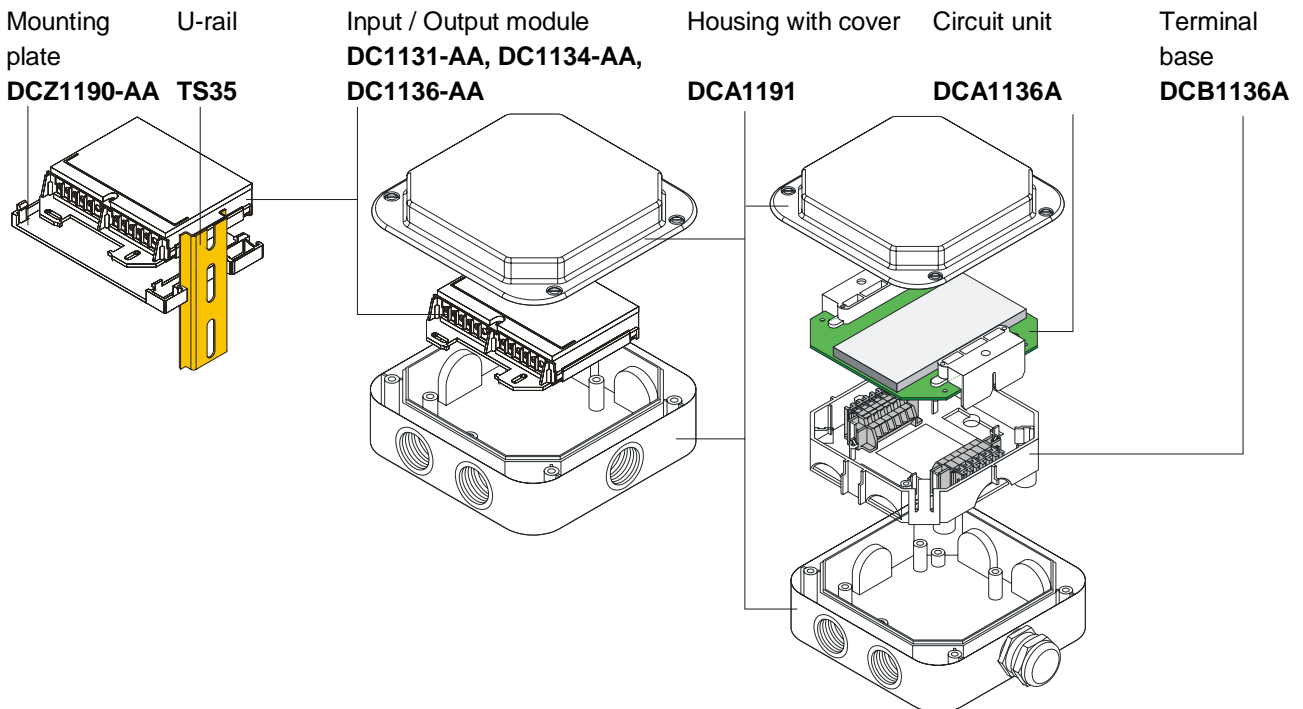
DC1136

- The housing with cover DCA1191 and the terminal base DCB1136A are required for installation
- The housing has six M20 threaded cable entries to feed in the cable
- It can be used in dry, dusty and wet areas
- The circuit unit is only inserted after the wiring check shortly before commissioning

DC1131-AA, DC1134-AA, DC1136-AA

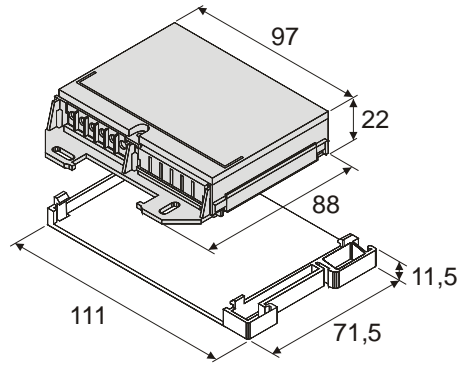
- Mount in series on standard rail TS35 with mounting plate DCZ1190-AA possible.
- Modules can be installed and connected with or without the electronics unit being inserted.
- It can be used in dry areas.
- For applications in humid areas, the module can be built into the housing DCA1191.

Components

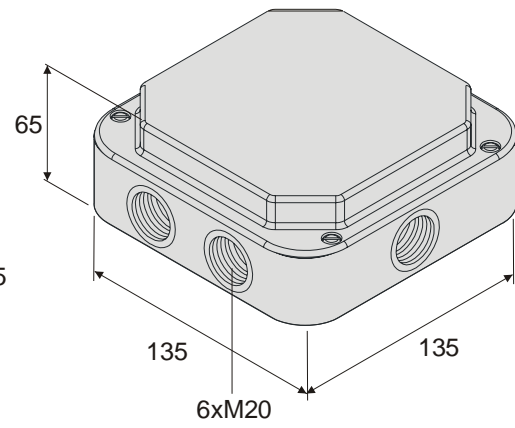


Dimensions

DC113x-AA and DCZ1190-AA







DCA1191



Technical data

	DC1131-AA	DC1134-AA	DC1136-AA	DC1136
Load factor APMK	1	2	2	2
Line resistance (detection line)	max.50 Ω	–	max.20 Ω	max.10 Ω
Relay output	–	Volt-free NO or NC contact max. 30 VAC / DC / 1 A	Volt-free switchover contact 30 VAC / DC / 1 A	Volt-free switchover contact 240 VAC / 4 A or 125 VDC / 4 A (max. 150 W)
Wire cross-sectional area per terminal	0.2... 1.5 mm ²	0.2... 1.5 mm ²	0.2... 1.5 mm ²	0.2... 2.5 mm ²
Operating temperature	-10... +60 °C	-10... +60 °C	-10... +60 °C	-25... +70 °C
Storage temperature	-30... +75 °C	-30... +75 °C	-30... +75 °C	-30... +75 °C
Humidity	≤95 % rel.	≤95 % rel.	≤95 % rel.	≤95 % rel.
Color	Mounting plate white, ~RAL 9010 Cover transparent	Mounting plate white, ~RAL 9010 Cover transparent	Mounting plate white, ~RAL 9010 Cover transparent	Housing DCA1191 white, ~RAL 9010
Protection category EN60529 / IEC529 – with housing DCA1191	IP30 IP56	IP30 IP56	IP30 IP56	– IP56
Standards	EN54-17, EN54-18	EN54-17, EN54-18	EN54-17, EN54-18	EN54-17, EN54-18
Approvals – VdS – LPCB – Relay	G299030 126p/01 –	G299030 126p/02 –	G299030 126p/03 –	G298081 – SEV/VDE

08  0786	DC1131-AA	Siemens Switzerland Ltd; Gubelstrasse 22 CH-6301 Zug Technical data: see doc. 001738
		DC1131-AA - Input/output device incl. short-circuit isolator for use in fire detection and fire alarm systems installed in buildings.
		305/2011/EU (CPR): EN 54-18 / EN 54-17 ; 2014/30/EU (EMC): EN 50130-4 / EN 61000-6-3
		The declared performance and conformity can be seen in the Declaration of Performance (DoP) and the EU Declaration of Conformity (DoC), which is obtainable via the Customer Support Center: Tel. +49 89 9221-8000 or http://siemens.com/bt/download
		DoP No.: 0786-CPR-20503; DoC No.: CED-DC1131-AA
08  0786	DC1134-AA	Siemens Switzerland Ltd; Gubelstrasse 22 CH-6301 Zug Technical data: see doc. 001739
		DC1134-AA - Input/output device incl. short-circuit isolator for use in fire detection and fire alarm systems installed in buildings.
		305/2011/EU (CPR): EN 54-18 / EN 54-17 ; 2014/30/EU (EMC): EN 50130-4 / EN 61000-6-3
		The declared performance and conformity can be seen in the Declaration of Performance (DoP) and the EU Declaration of Conformity (DoC), which is obtainable via the Customer Support Center: Tel. +49 89 9221-8000 or http://siemens.com/bt/download
		DoP No.: 0786-CPR-20994; DoC No.: CED-DC1134
08  0786	DC1136	Siemens Switzerland Ltd; Gubelstrasse 22 CH-6301 Zug Technical data: see doc. 001518
		DC1136 - Input/output device incl. short-circuit isolator for use in fire detection and fire alarm systems installed in buildings.
		305/2011/EU (CPR): EN 54-18 / EN 54-17 ; 2014/30/EU (EMC): EN 50130-4 / EN 61000-6-3 ; 2014/35/EU (LVD): EN 60950-1
		The declared performance and conformity can be seen in the Declaration of Performance (DoP) and the EU Declaration of Conformity (DoC), which is obtainable via the Customer Support Center: Tel. +49 89 9221-8000 or http://siemens.com/bt/download
		DoP No.: 0786-CPR-20510; DoC No.: CED-DC1136
08  0786	DC1136-AA	Siemens Switzerland Ltd; Gubelstrasse 22 CH-6301 Zug Technical data: see doc. 001518
		DC1136-AA - Input/output device incl. short-circuit isolator for use in fire detection and fire alarm systems installed in buildings.
		305/2011/EU (CPR): EN 54-18 / EN 54-17 ; 2014/30/EU (EMC): EN 50130-4 / EN 61000-6-3
		The declared performance and conformity can be seen in the Declaration of Performance (DoP) and the EU Declaration of Conformity (DoC), which is obtainable via the Customer Support Center: Tel. +49 89 9221-8000 or http://siemens.com/bt/download
		DoP No.: 0786-CPR-20503; DoC No.: CED-DC1136

Details for ordering

	Type	Part no	Designation	Weight
DC1136	DCA1191	BPZ:4588560001	Housing with cover	0.346 kg
	DCA1136A	BPZ:5082720001	Circuit unit	0.139 kg
	DCB1136A	BPZ:5082850001	Terminal base	0.121 kg
	DBZ1190-AA	BPZ:4677080001	Micro terminal 0.28... 0.5 mm ²	0.001 kg
	–	A5Q00004478	Metal screwed cable gland M20 x 1.5	0.039 kg
DC113x-AA	DC1131-AA	BPZ:5225200001	Input module	0.096 kg
	DC1134-AA	BPZ:5225750001	Output module	0.098 kg
	DC1136-AA	BPZ:5225880001	Input/output module	0.095 kg
	DCZ1190-AA	BPZ:5226270001	Mounting plate	0.020 kg
	–	BPZ:5644780001	U-rail TS35, L=122 mm	0.040 kg

Issued by
Siemens Switzerland Ltd
Building Technologies Division
International Headquarters
Gubelstrasse 22
CH-6301 Zug
Tel. +41 41 724 24 24
www.siemens.com/buildingtechnologies

© Siemens Switzerland Ltd, 2009
Technical specifications and availability subject to change without notice.