

DC1154 / DC1154-AA / DC1156-AA /
DC1157-AA

AlgoRex

Input / Output modules

CE

Interactive

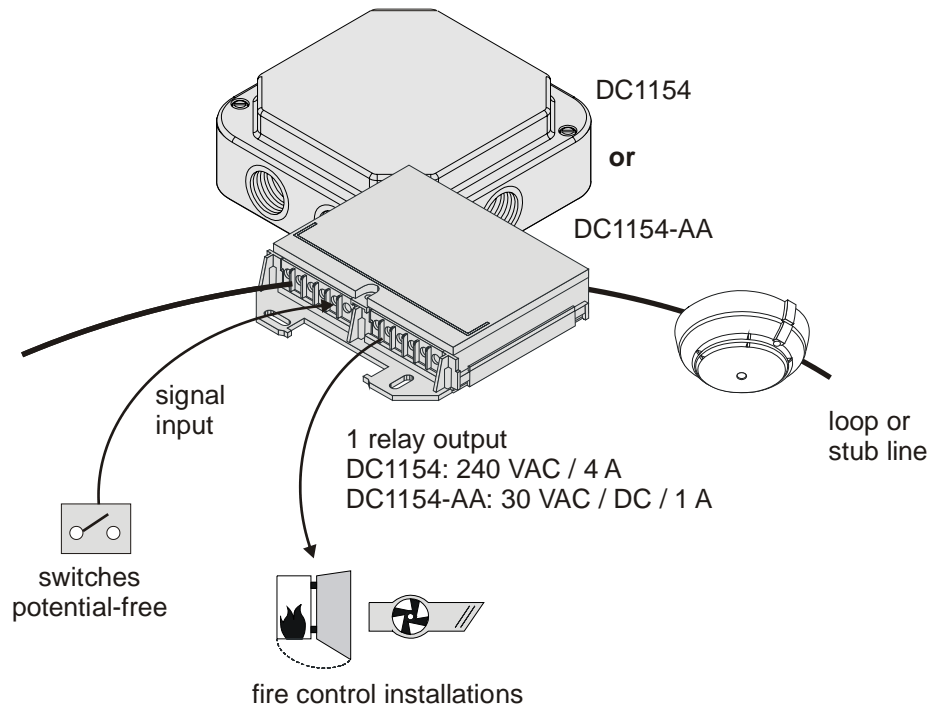
- **DC1150 Series**
 - Thanks to its robust construction, the line modules can be used in both dry and dusty / wet areas
 - Housing for surface mounting with M20 cable entries
- **DC1150-AA Series**
 - For use in dry areas
 - Can be mounted in a row with standard guides TS35
- **Two-wire installation**
- **No additional supply required**
- **Equipped with isolating function**

Function

- The address is assigned during commissioning via the key integrated in the module and confirmed by the flashing of the red LED.
 - **DC1154:** With closed housing, the key and the LED are not visible
 - **DC1154-AA:** The LED lights through the transparent cover
- The key is provided to release a danger signal during normal operation (performance check)
- Messages can be carried out with volt-free make or break contacts. These are connected to the monitored signal input.

Application

- DC1154/-AA with a volt-free relay contact provides decentralized activation of fire doors, ventilators, air conditioning, lift controls etc.
- The signal input for status or alarm messages is configurable via the fire detection control unit.

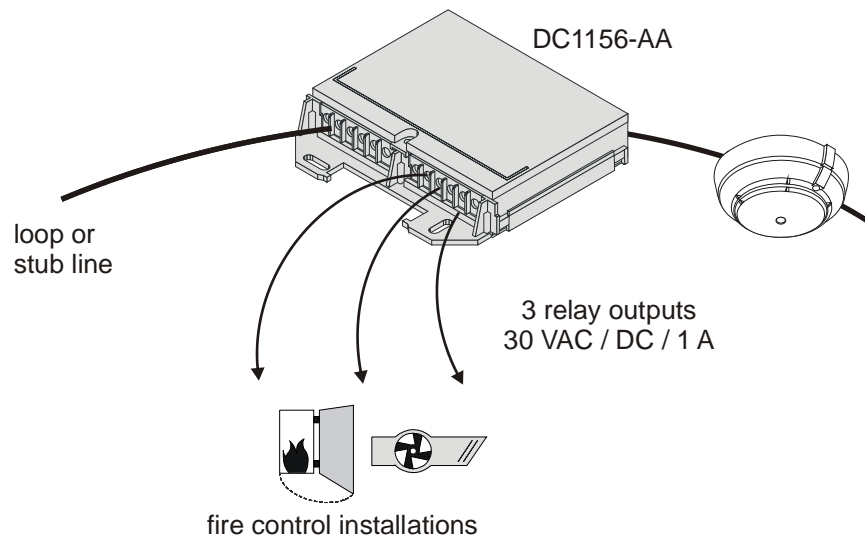


Function

- The address is assigned during commissioning via the key integrated in the module and confirmed by the flashing of the red LED.
- The LED lights through the transparent cover.

Application

- Control output with 3 volt-free relay contacts provides decentralized activation of fire doors, ventilators, air conditioning, lift controls etc.

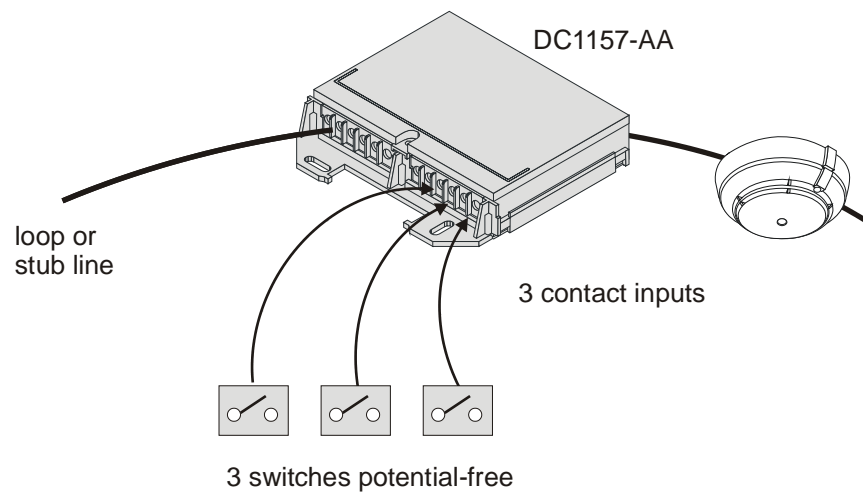


Function

- The address is assigned during commissioning via the key integrated in the module and confirmed by the flashing of the red LED.
- The LED lights through the transparent cover.
- The acknowledgement lines are monitored by end resistors for interruption and the corresponding control unit configuration also for short-circuit.

Application

- Enables the connection of three independent volt-free make or break contacts for the acknowledgement of technical statuses (e.g. door contacts) or for alarm activation (e.g. sprinkler contacts).
- Configuration of the inputs for status or alarm messages can be made independent of each other. Each input has its own address.



Built-in line separator

Any short circuit on the detection line is located by the control unit and the defective component isolated. A loop line ensures optimal security.

Installation

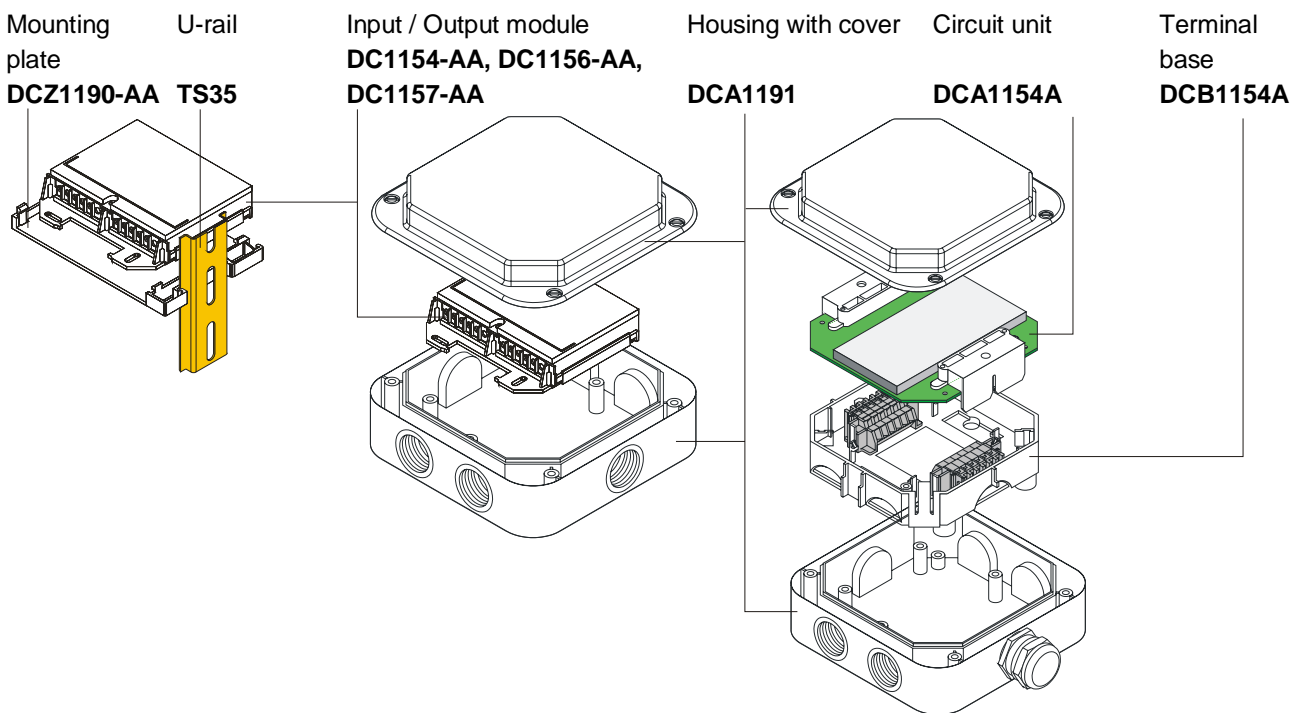
DC1154

- The housing with cover DCA1191 and the terminal base DCB1154A are required for installation.
- The housing has six M20 threaded cable entries to feed in the cable.
- It can be used in dry, dusty and wet areas.
- The electronics unit is only inserted after the wiring check shortly before commissioning.

DC1154-AA, DC1156-AA, DC1157-AA

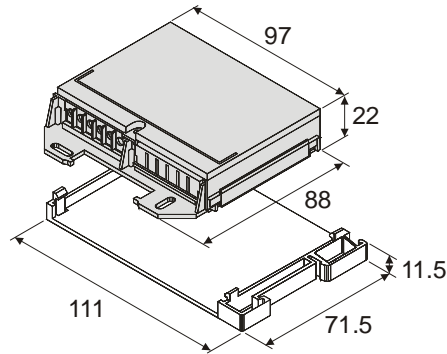
- Mount in series on standard rail TS35 with mounting plate DCZ1190-AA possible.
- Modules can be installed and connected with or without the electronics unit being inserted.
- It can be used in dry areas.
- For applications in humid areas, the module can be built into the housing DCA1191.

Components

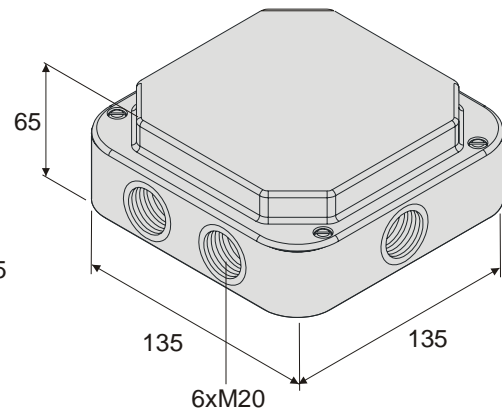


Dimensions

DC115x-AA and DCZ1190-AA





DCA1191





Technical data

	DC1154	DC1154-AA	DC1156-AA	DC1157-AA
Load factor IMK	2	2	3	3
Interactive line factor ITK	1	1	1	1
Line resistance (detection line)	$\leq 10 \Omega$	$\leq 20 \Omega$	–	$\leq 20 \Omega$
Relay output	volt-free switchover contact 240 VAC / 4 A or 125 VDC / 4 A (max. 150 W)	volt-free switchover contact 30 VAC / DC / 1 A	3 volt-free NO or NC contacts max. 30 VAC / DC / 1 A (programmable)	–
Wire cross-sectional area per terminal	0.2... 2.5 mm ²	0.2... 1.5 mm ²	0.2... 1.5 mm ²	0.2... 1.5 mm ²
Operating temperature	-25... +70 °C	-10... +60 °C	-10... +60 °C	-10... +60 °C
Storage temperature	-30... +75 °C	-30... +75 °C	-30... +75 °C	-30... +75 °C
Humidity	≤ 95 % rel.	≤ 95 % rel.	≤ 95 % rel.	≤ 95 % rel.
Color	Housing DCA1191 white, ~RAL 9010	Mounting plate white, ~RAL 9010 Cover transparent	Mounting plate white, ~RAL 9010 Cover transparent	Mounting plate white, ~RAL 9010 Cover transparent
Protection category EN60529 / IEC529 – with housing DCA1191	– IP56	IP30 IP56	IP30 IP56	IP30 IP56
Standards	EN54-17, EN54-18	EN54-17, EN54-18	EN54-17, EN54-18	EN54-17, EN54-18
Approvals				
– VdS	G294013	G299031	G299031	G299031
– LPCB	126j/02	126p/04	126p/05	126p/06
– Relay	SEV/VDE	–	–	–

08  0786	DC1154	Siemens Switzerland Ltd; Gubelstrasse 22 CH-6301 Zug Technical data: see doc. 001091
DC1154 - Input/output device incl. short-circuit isolator for use in fire detection and fire alarm systems installed in buildings.		
305/2011/EU (CPR): EN 54-18 / EN 54-17 ; 2014/30/EU (EMC): EN 50130-4 / EN 61000-6-3 ; 2014/35/EU (LVD): EN 60950-1		
The declared performance and conformity can be seen in the Declaration of Performance (DoP) and the EU Declaration of Conformity (DoC), which is obtainable via the Customer Support Center: Tel. +49 89 9221-8000 or http://siemens.com/bt/download		
DoP No.: 0786-CPR-20587; DoC No.: CED-DC1154		

08  0786	DC1154-AA	Siemens Switzerland Ltd; Gubelstrasse 22 CH-6301 Zug Technical data: see doc. 001741
DC1154-AA - Input/output device incl. short-circuit isolator for use in fire detection and fire alarm systems installed in buildings.		
305/2011/EU (CPR): EN 54-18 / EN 54-17 ; 2014/30/EU (EMC): EN 50130-4 / EN 61000-6-3		
The declared performance and conformity can be seen in the Declaration of Performance (DoP) and the EU Declaration of Conformity (DoC), which is obtainable via the Customer Support Center: Tel. +49 89 9221-8000 or http://siemens.com/bt/download		
DoP No.: 0786-CPR-20509; DoC No.: CED-DC1154-AA		

08  0786	DC1156-AA	Siemens Switzerland Ltd; Gubelstrasse 22 CH-6301 Zug Technical data: see doc. 001742
DC1156-AA - Input/output device incl. short-circuit isolator for use in fire detection and fire alarm systems installed in buildings.		
305/2011/EU (CPR): EN 54-18 / EN 54-17 ; 2014/30/EU (EMC): EN 50130-4 / EN 61000-6-3		
The declared performance and conformity can be seen in the Declaration of Performance (DoP) and the EU Declaration of Conformity (DoC), which is obtainable via the Customer Support Center: Tel. +49 89 9221-8000 or http://siemens.com/bt/download		
DoP No.: 0786-CPR-20691; DoC No.: CED-DC1156-AA_DC1157-AA		

08  0786	DC1157-AA	Siemens Switzerland Ltd; Gubelstrasse 22 CH-6301 Zug Technical data: see doc. 001743
DC1157-AA - Input/output device incl. short-circuit isolator for use in fire detection and fire alarm systems installed in buildings.		
305/2011/EU (CPR): EN 54-18 / EN 54-17 ; 2014/30/EU (EMC): EN 50130-4 / EN 61000-6-3		
The declared performance and conformity can be seen in the Declaration of Performance (DoP) and the EU Declaration of Conformity (DoC), which is obtainable via the Customer Support Center: Tel. +49 89 9221-8000 or http://siemens.com/bt/download		
DoP No.: 0786-CPR-20691; DoC No.: CED-DC1156-AA_DC1157-AA		

Details for ordering

	Type	Part no	Designation	Weight
DC1154	DCA1191	BPZ:4588560001	Housing with cover	0.346 kg
	DCA1154A	BPZ:4942630001	Circuit unit	0.139 kg
	DCB1154A	BPZ:4942760001	Terminal base	0.121 kg
	DBZ1190-AA	BPZ:4677080001	Micro terminal 0.28... 0.5 mm ²	0.001 kg
	–	A5Q00004478	Metal screwed cable gland M20 x 1.5	0.039 kg
DC115x-AA	DC1154-AA	BPZ:5225910001	Input/output module	0.096 kg
	DC1156-AA	BPZ:5226430001	Output module	0.098 kg
	DC1157-AA	BPZ:5226300001	Input module	0.095 kg
	DCZ1190-AA	BPZ:5226270001	Mounting plate	0.020 kg
	–	BPZ:5644780001	U-rail TS35, L=122 mm	0.040 kg

Issued by
Siemens Switzerland Ltd
Building Technologies Division
International Headquarters
Gubelstrasse 22
CH-6301 Zug
Tel. +41 41 724 24 24
www.siemens.com/buildingtechnologies

© Siemens Switzerland Ltd, 2015
Technical specifications and availability subject to change without notice.