



DC1159A

AlgoRex

Line separator



Interactive

-
- Automatic line separator
 - Creation of T taps in the interactive detector bus (D-Bus)
 - Installation in intermediate distributor
 - No parameterization
 - No commissioning work

Characteristics

- **Environmental**

- In order to conform to environmental requirements, the DC1159A line separator module electronics is encapsulated in black epoxy resin.

- **Function**

- The DC1159A line separator module has the same separation function as a manual call point or a detector with separator.

- **Application**

- The line separator module can detect and isolate short circuits on the interactive detection line and is particularly used for the modernization of systems.
- The detection lines in existing systems are mostly laid in the form of stub lines and connected to the control unit or an intermediate distributor.
- DC1159A can be connected in between to prevent simultaneous failure of several stub lines if a short circuit occurs.

Installation

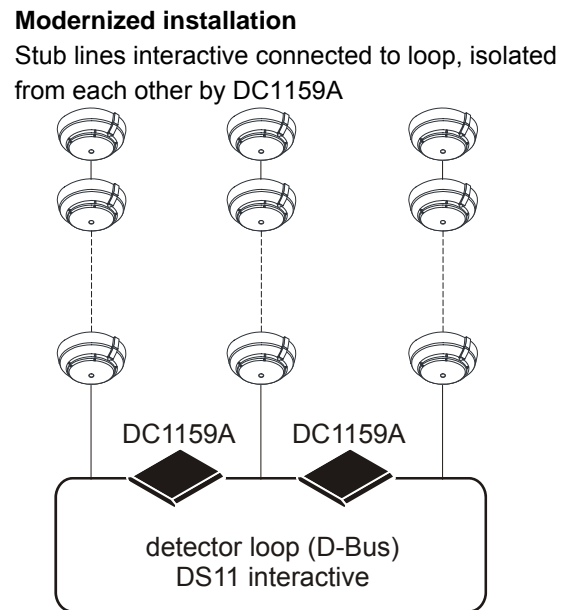
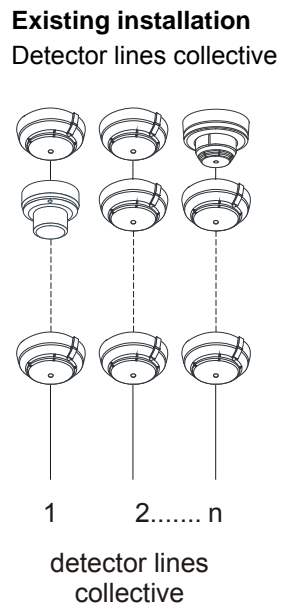
- Two red wires are provided as positive conductor and two black wires as negative conductor. It is not necessary to differentiate between the input and output.
- The DC1159A is connected by four, one meter long wires to a terminal strip or a terminal block direct.
- The unit is mounted on the wall with a Velcro fastener or in any housing.

Commissioning

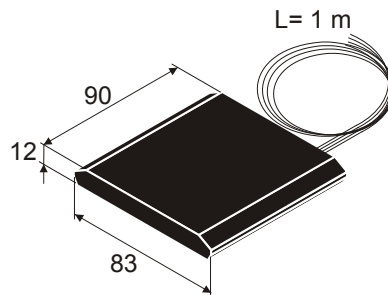
- The device is supplied ex works with the fixed bus address 250.
- Commissioning using the software tool is not necessary.
- The device can be connected to the D-Bus as supplied.
- Must be taken into account as an isolating element with load factor 1.

Retrofitting

The example shows the retrofitting of existing collective systems with several stub lines on the interactive stub line in the D-Bus.



Dimensions



Technical data

Operating temperature	-25... +70 °C
Humidity	≤95 % rel. (no condensation)
Protection category	IP54
Compatibility	with the interactive fire detection system S11

Details for ordering

Type	Part no	Designation	Weight
DC1159A	BPZ:5004610001	Line separator	0.131 kg

Siemens Switzerland Ltd
Building Technologies Division
International Headquarters
Fire Safety & Security Products
Gubelstrasse 22
CH-6301 Zug
Tel. +41 41 724 24 24
Fax +41 41 724 35 22
www.siemens.com/buildingtechnologies

© 2009 Copyright by
Siemens Switzerland Ltd
Data and design subject to change without notice.
Supply subject to availability.

Document no. **001487_e_en_--**
Edition 01.2009

Manual S11
Section 4