



DZ1193, FDUM291, FDUM292

AlgoRex

Detector exchanger and tester,  
Telescope rods



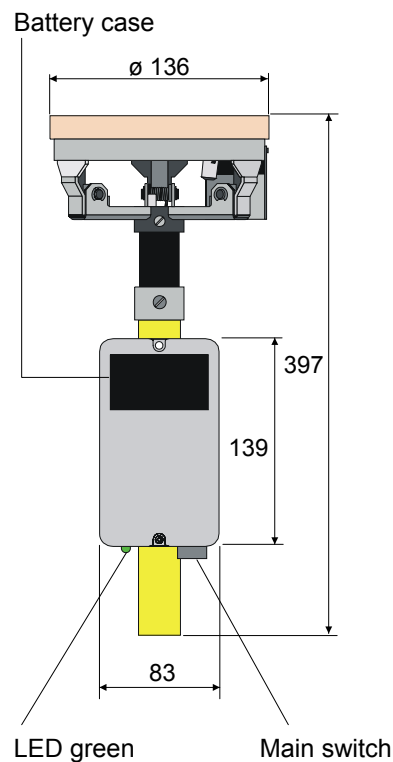
- 
- For the simple insertion, exchanging and testing of DS11 smoke detectors
  - Optoelectronic detector testing enables environmentally friendly testing without test gas
  - Full testing of the optical sampling chamber
  - Suitable for commissioning and maintenance work
  - The telescope rod FDUM291 with continuous length adjustment up to approx. 5.5 m room height and the telescope rod FDUM292 with continuous length adjustment up to approx. 8 m room height serve as extension

### Application

- The DZ1193 detector exchanger and tester is a device for the simple insertion, exchanging and testing of all DS11 smoke detectors.
- The DS11 heat detector can be inserted and removed, but not tested with this device.

### Design

- The DZ1193 has a combined pluck and test head attached to a short, flexible extension rod.
- The test section of the device comprises the test electronics in the pluck/test head, consisting of detector presence switch, transmitter flash lamp (Xenon), signal amplifier and receiver as well as a housing with electronics attached to an extension rod, an on/off switch, battery and function indicator.



### Function

- The main switch is switched on
- The detector tester is ready for operation when placed over the detector
- As soon as the detector receives pulses from the detector transmitter IRED (infrared emitting diode), the tester function indicator (green LED) begins to flash. At the same time, synchronous flash pulses are transmitted from the tester to the detector receiver.
- If the detector reaches the danger level corresponding to the parameters set (between 10 and 120 seconds), the red detector response indicator flashes. This concludes detector testing and the tester can be removed from the detector.
- When using the DZ1193 as detector exchanger, the main switch remains switched off.

**Characteristics**

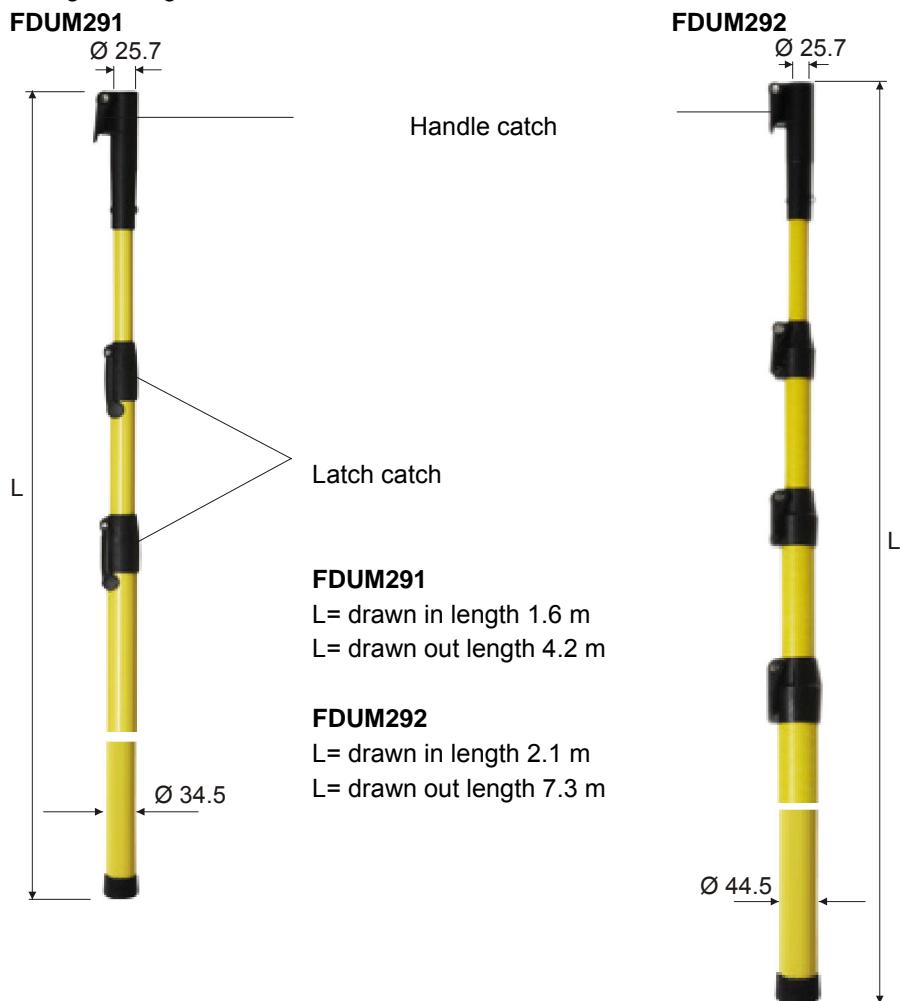
- yellow plastic tubes in light and robust execution (non-conductive material)
- plastic sockets and slide bearings provide for easy sliding of the tubes
- quick spring-type locking mechanisms and continuous length adjustment
- The tubes can be extended to their maximum length and are protected against further extension by a stop bolt.
- Further extension of the telescope rods is not possible.

**FDUM291**

- light telescope rod for all applications, for room heights up to 5.5m
- latch catch for continuous length adjustment
- three-part telescope with tri-oval tubes as practical grip
- distortion of the tubes is not possible
- weight 1.2 kg without attached tool

**FDUM292**

- long, robust telescope rod for room heights up to 8m
- handle catch for continuous length adjustment
- stable, four-part telescope with round tubes
- weight 3.2 kg without attached tool



Beware of falling objects when working with a telescope rod. Hardhat required.

## Technical data



### **Forbidden in explosion-hazard areas!**

Operating voltage	9 VDC
- Alkaline battery	Type IEC 6 LF 22 / capacity 500 mAh
Operating current	
- Standby (detector inserted)	≤4 mA
- Test procedure	≤16 mA
Number of tests per battery	
- in test mode (10 s)	≥3000
Operating temperature	-25... +40 °C
- transient	-30... +50 °C
Storage temperature	-30... +75 °C
- with battery	-25... +60 °C
Humidity	≤95 % rel. (no condensation)

## Details for ordering

	Type	Part no	Designation	Weight
	DZ1193	BPZ:4686550001	Detector exchanger and tester (without battery)	1.070 kg
	-	BPZ:2766690001	Alkaline battery Type IEC 6 LF 22, 9 V / 0.5 Ah	0.046 kg
Accessory	FDUM291	A5Q00004996	Telescope rod three-part telescope with tri-oval tubes (1.6 m / 4.2 m)	1.200 kg
Spare parts	-	A5Q00009787	Lever with screw and nut (Handle catch)	0.020 kg
	-	A5Q00009786	Adapter with lever, screw and nut incl. attachment and bushing screw	0.080 kg
	-	A5Q00009788	Small flap with screw and nut (Latch catch)	0.014 kg
	-	A5Q00009789	Large flap with screw and nut (Latch catch)	0.014 kg
Accessory	FDUM292	A5Q00004997	Telescope rod four-part telescope with round tubes (2.1 m / 7.3 m)	3.200 kg
Spare parts	-	A5Q00009787	Lever with screw and nut (Handle catch)	0.020 kg
	-	A5Q00009786	Adapter with lever, screw and nut incl. attachment and bushing screw	0.080 kg